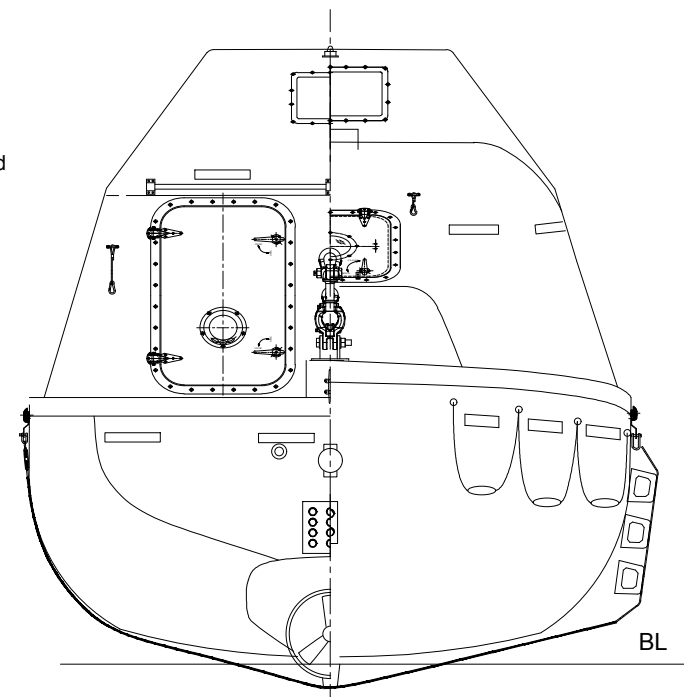
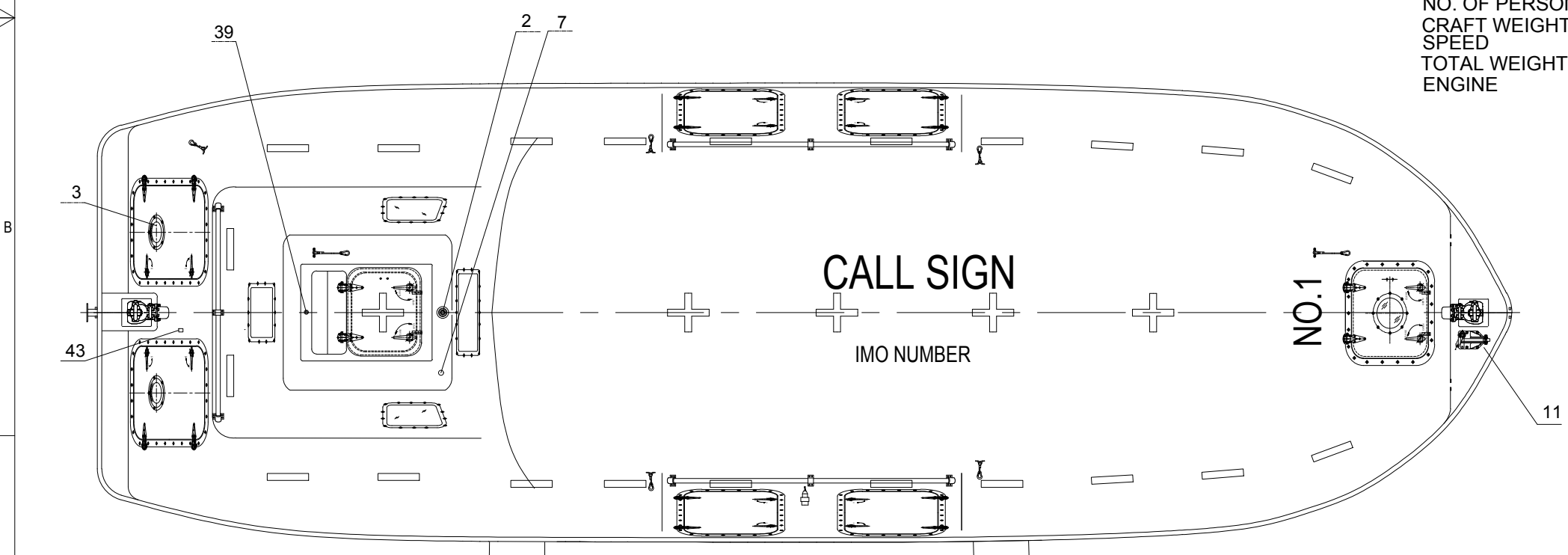


**ELEVATION**



**REAR/FRONT VIEW**

- LENGTH (MOULDED) 10.155M
- BREADTH (MOULDED) 3.25M
- DEPTH 1.40M
- TOTAL HEIGHT 3.40M
- HOOK TYPE NADIRO DIB 75
- HOOK DIST. 9.675M
- NO. OF PERSON 105P
- CRAFT WEIGHT 5937.5KG
- SPEED >6 KNOTS
- TOTAL WEIGHT 14600KG (82.5Kg/pers)
- ENGINE NLDE-3
- NLDE-4
- VETUS M4.55
- BUKH DV29 RME
- BUKH 36 EPA



**PLAN (BOAT ON PORT SIDE SHOWN)**

48	HYDRAULIC PUMP OR TANK	1	
47	ACCUMULATOR	1	
46	PILOT CONTROLLED VALVE	1	
45	CONTROL PANEL	1	
44	SOCKET FOR BATTERY CHARGING	1	IP67
43	VENT FOR BATTERIES	1	SS 316 & PVC HOSE
42	EQUIPMENT SHELF	2	F.R.P.
41	WATER SENSOR UNIT	1	
40	EMERGENCY RELEASE VALVE	1	
39	RAIN COLLECTION	1	BRASS
38		4	
37	EMERGENCY STEERING HANDLE	1	HOT DIPPED GALVANIZED STEEL
36	SKATES	2	RUBBER & ALUM. PLATE
35	RAIL	3	SS316
34	FOOD COMPARTMENT	2	F.R.P.
33	OAR/CRUTCH	2	
32	WATER COMPARTMENT	2	F.R.P. WATER TIGHT
31	STEERING GEAR	1	
30	ENGINE & PROPELLER SHAFT	1	
29	STEERING NOZZLE & PROPELLER	1	F.R.P. / NiMn-Bronze Cu3-Cu4
28	BATTERIES	2	70AH
27	AXE	2	
26	PILLAR	1	F.R.P.
25	DRAIN PLUG	1	
24	MANUAL PUMP	1	BRASS
23	FIRE EXTINGUISHER	1	
22	FUEL TANK	1	SEA WATER RESISTANT ALUM.
20		4	
19	SAFETY BELT	1/PERS	
18	EQUIPMENT COMPARTMENT	2	
17	DOOR LATCH	1 LOT	AIISI 316L & PVC SHIELD WIRE ROPE
16	BACK REST	1	PLYWOOD (18MM THKx400MM H.)
15	CONTROL PANEL	1	
14	SEARCH LIGHT	1	
13	INT. LIGHT	2	
12	INT. LIGHT	1	
11	4.6T PAINTER HOOK	1	HOT DIPPED GALVANIZED STEEL
10	GRIPPING BOBBIN	2	HOT DIPPED GALVANIZED STEEL
9	HOOKS DEVICE ARRANGEMENT	2	NADIRO DIB 75
8	LIFE LINE	2	PVC SHIELD WIRE ROPE
7	REMOTE CONTROL LINE HOLE	1	
6	DOOR WINDOW & HATCH	1 LOT	
5	BOLLARD	1	AIISI 316L
4	REFLECT LIGHT STRIP	1 LOT	
3	VENTILATOR	4	
2	POSITION LIGHT	1	
1	RADAR REFLECTOR	1	

NO.	REF. DWG. NO.	DESCRIPTION	QTY.	REMARKS
1		Use new template		KARL PHU THWA 02/07/2019
0		Issued construction		KARL PHU THWA 23/04/2019
REV		DESCRIPTION	BY	CHECK APPRO DATE

**REVISION HISTORY**

**VIKING NORSAFE** Life-Saving Equipment Norway AS  
 P.O. Box 115 Tel: +47 37 05 85 00  
 4852 Faerвик Fax: +47 37 05 85 01  
 NORWAY 24/7 Service: +47 37 05 63 33  
 Email: viking@viking-life.com

This drawing is the sole property of VIKING Norsafe Life-Saving Equipment Norway AS. It must not be submitted to other parties nor used in any manner detrimental to our interests. It shall not be copied, reproduced, used for manufacturing or sale without the written consent of VIKING Norsafe Life-Saving Equipment Norway AS. All rights are reserved.

DWG. SIZE: A3	SCALE: 1:30	COPY OF	PROJECTION METHOD	PART NO.	WEIGHT	SHEET 1 / 1
TOLERANCES: ISO 2768-mk, ISO 13920-BF	REVISION: 1	PROJECT: STANDARD	<b>EXTERNAL ARRANGEMENT</b>			
DWG. No: G-503174	NADIRO DIB 75					
JYN-100DC						
GENERAL						

Due to manufacturing reasons dimensions may vary up to 50mm