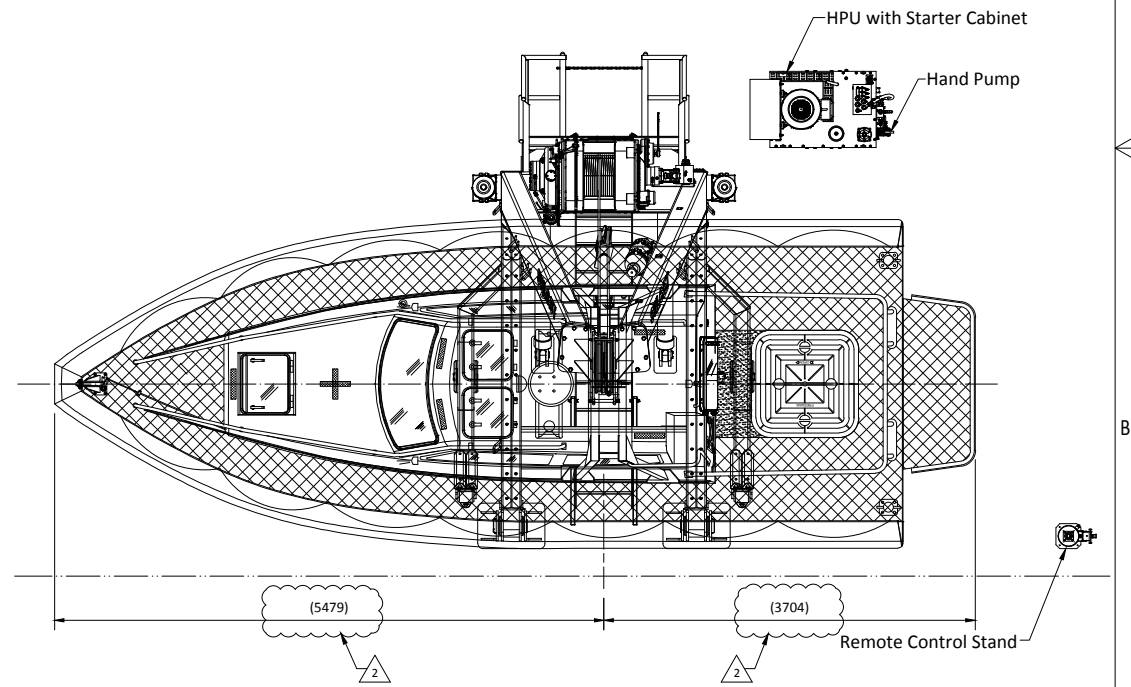
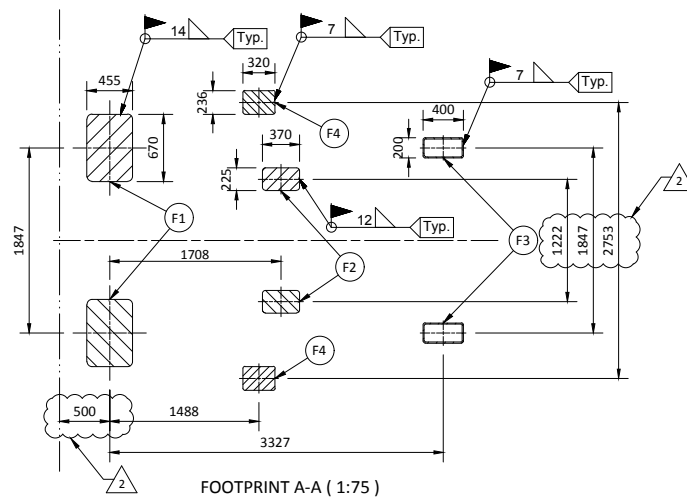


Norsafe NDA-65 Rescue Boat Davit

SWL: 6500 kg
 Hoisting Speed: Min. 18 m/min
 Lowering Speed: 1m/s ±10%
 Design Spec.: 10° Trim, 20° List Simultaneously
 Davit Weight: Approx. 7800 kg

NOTES:

- Embarkation platforms, ladders etc.: yard supply.
- Location of hydraulic power unit (HPU) and remote control stand to be decided by yard.
- Norsafe deliver 6m hoses for connection between davit and HPU. Hydraulic piping between davit and HPU is yard supply.
- Connection of main power supply to starter cabinet is yard supply.
- All field welds to be performed according to approved WPS (Yard responsibility). All field welding is subject to class approval prior to start welding.
- Reaction forces as joint loads each side, marked with nodes on deck interface. For orientation of forces see legend with marked XYZ vectors. All forces are point loads, nominal forces without any factors.



| REACTION FORCES IN DECK (POINT LOAD EACH SIDE) | | | | | | |
|--|--------------|--------------|--------------|-------------|-------------|-------------|
| | FORCE X (kN) | FORCE Y (kN) | FORCE Z (kN) | MOM X (kNm) | MOM Y (kNm) | MOM Z (kNm) |
| F1 DAVIT SUPPORT (EACH) | +/-236 | 175 | +/-13 | +/-13 | +/-3 | +/-64 |
| F2 CYLINDER SUPPORT (EACH) | +/-266 | +/-183 | 0 | 0 | 0 | +/-27 |
| F3 DECK SUPPORT (EACH) | 0 | 61 | 0 | 0 | 0 | 0 |
| F4 BOAT SUPPORT (EACH) | 0 | 61 | 0 | 0 | 0 | 0 |

| REV | DESCRIPTION | BY | CHECK | APPRO | DATE |
|-----|---------------------|------|-------|-------|------------|
| 2 | Issued for approval | GACA | ALJI | WAGU | 11.01.2019 |
| 1 | Issued for approval | GACA | ALJI | WAGU | 07.01.2019 |
| 0 | Issued for review | GACA | ALJI | WAGU | 19.09.2017 |

REVISION HISTORY



Norsafe
 P.O. Box 115, N-4852 FÆRVIK, NORWAY

This drawing is the sole property of Norsafe AS. It must not be submitted to other parties nor used in any manner detrimental to our interests. It shall not be copied, reproduced, used for manufacturing or sale without the written consent of Norsafe AS. All rights are reserved.
 DWG SIZE: A3 SCALE: 1:75 COPY OF: PART NO. WEIGHT: SHEET: 1/1

CLIENT NO.: PROJECTION METHOD: NDA-65 WITH CRADLE FOR MAYA 850 TWIN
 TOLERANCES: ISO 2768-mk, ISO 13920-BF REVISION: 2
 DWG No.: G-502199 PROJECT: GENERAL ARRANGEMENT