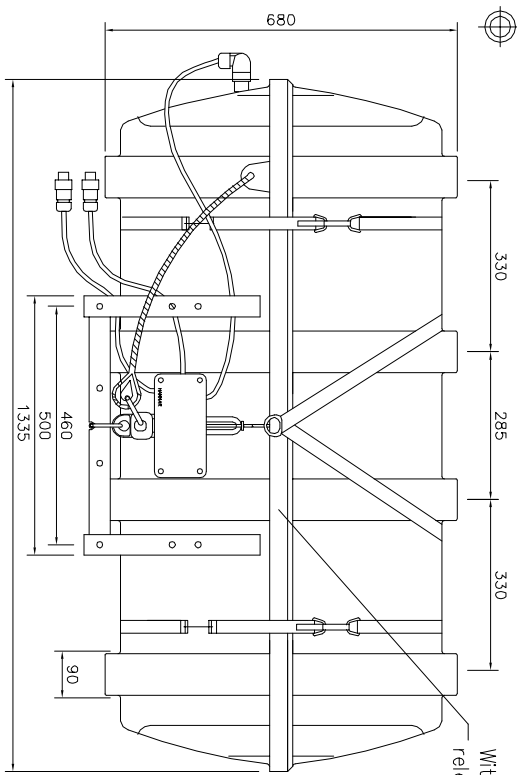
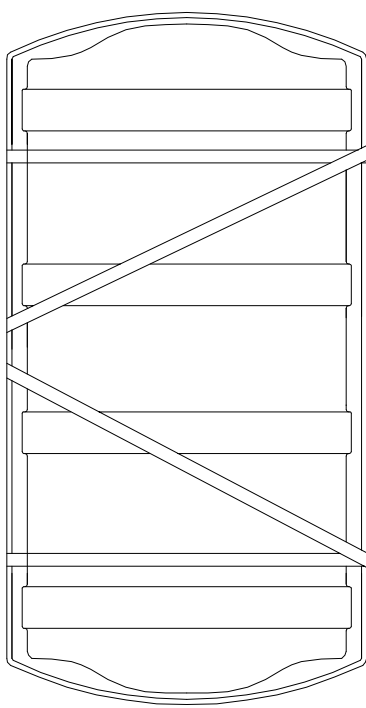
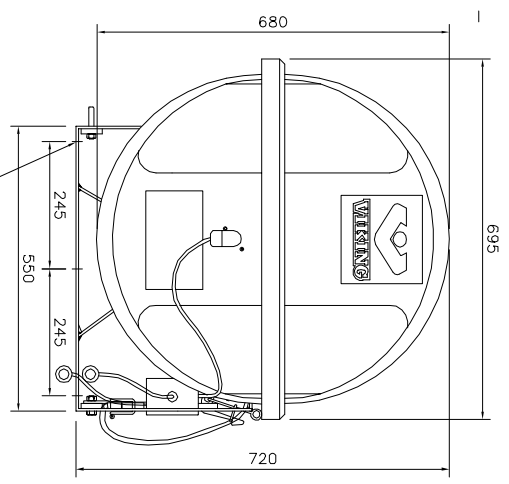


First angle projection



With HAMMAR -
release unit.



1	Aluminium cradle	1015777	42002384	AlMg4.5Mn
1	Stainless Steel cradle	1003634	42002338	AISI316
1	Hot galvanized cradle	1015847	42000851	Fe 360
Mrk.	Tekst	Part. No.	Drawing No.	Material

Copyright of VIKING LIFE- SAVING EQUIPMENT, DENMARK, whose property this document remains. No part thereof may be disclosed, copied, duplicated or in any other way made use of, except with the approval of VIKING LIFE- SAVING EQUIPMENT, DENMARK.



VIKING
LIFE- SAVING EQUIPMENT

P. O. Box 3060
6710 Esbjerg V
Denmark

Scale: 1:10
Dim. in: mm
Drawn: 031111 DW
Check: 031111 EB

**SALES SPECIFICATION FOR
POLAR CONTAINER 1042406**
16 DK (type 016-5105)
without pocket

Drawing no.: 42002815

CAD Nr.: 42002815

PLEASE NOTE THAT THE MEASUREMENTS GIVEN IN THIS DRAWING ARE FOR YOUR INFORMATION ONLY.

Issue/ ref. no.	Date:	Check: