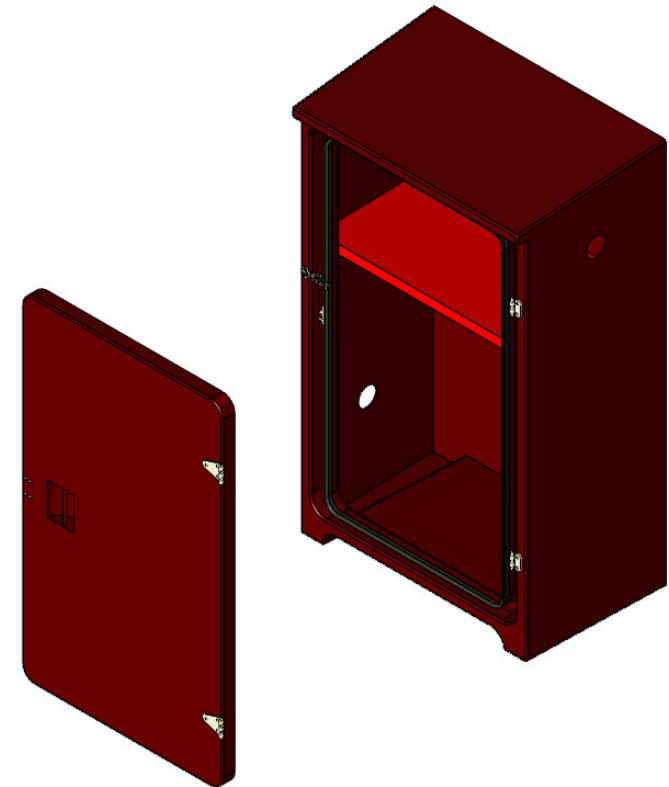


**SPECIFICATIONS**

Colour	RED
Material	GRP 3-4mm nominal thickness
Resin	GP
Glass	2 x 600g
Reinforcement	2 x 100mm Sq pads
Door Catch	S.S & Nylon Jaw Action
Seal	EPDM
Hinges	UV PA66 Hinge
Door Handle	Recessed Nylon Rod
Door Lettering	TBA
Int components	1 x "BA" clip 1 x shelf



Tolerance + or - 3mm

10/01/2012

						<b>Jo Bird &amp; Company Ltd</b> Factory Lane, Bason Bridge Highbridge, Somerset, TA9 4RN United Kingdom Tel: +44 (0) 1278 785546 Fax: +44 (0) 1278 780541		DESCRIPTION:		CLIENT:	
				ALL DIMENSIONS ARE IN MILLIMETRES. DO NOT SCALE THIS DRAWING.				JB10FE 1302Hx785Wx489D Door Aperture 1084Hx585W		NAME AC PM DW DATE 16/07/09 14/12/10 22/12/10	
No.	DESCRIPTION	DATE	DRN.	JO BIRD & COMPANY LTD HOLD THE COPYRIGHT OF THIS DOCUMENT. CONSENT IS REQUIRED FROM THIS COMPANY TO COPY THIS DOCUMENT.				DRAWING No.		SIZE	ISSUE
ALTERATIONS								Weight: est 40kg SCALE: 1:16 SHEET 1 OF 1		JB10FE	