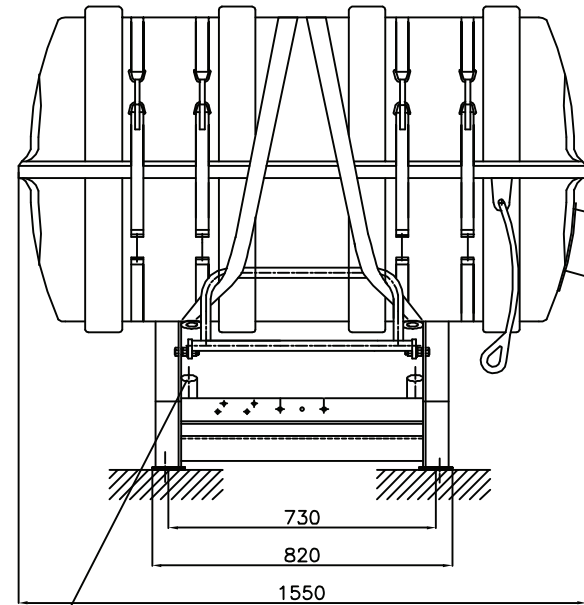
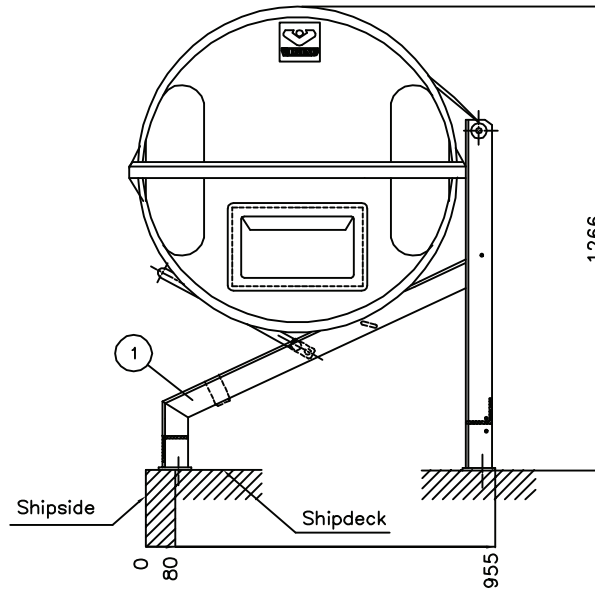
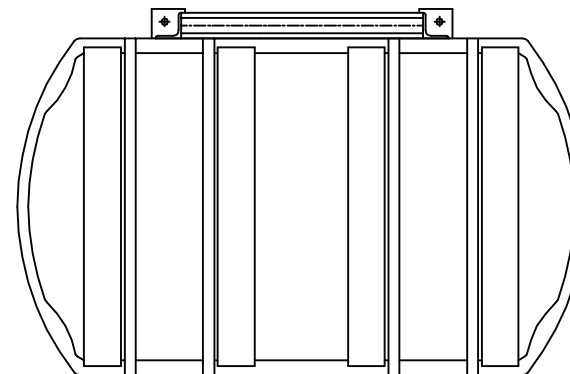
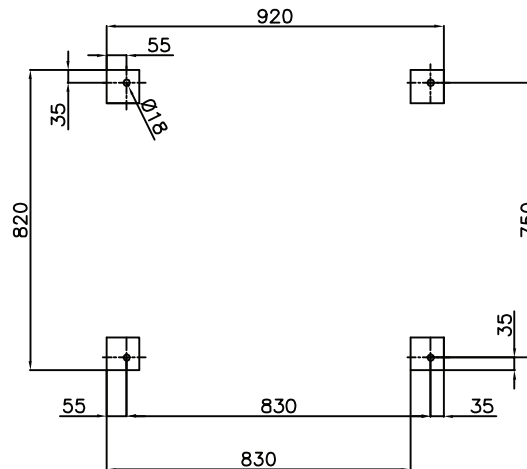


First angle projection



Holder for service pipe
Place service pipe in holder while life raft is being lashed.



Weight: 52 Kg

Part no.: 1003987
Old part no.: 052-6077

0526077 CAN BE DELIVERED AS:	
1003987	SANDBLASTED AND PRIMED
1015749	COSTUMER SPECIFIC RAL
1015750	GALVANIZED
1015751	STANDARD RAL 9010

016-0181	DKS 50 "B"	1003994
016-0139	DKS 50 "B"	1003994
016-0129	DKR (2X50)	-
016-8701	DKS 50 "B"	-
016-8601	DKS 25 A+B	1021509
016-8401	DKF 35 "A"	-
016-8300	DKFS 39 "A"	1036173
016-8300	DKF 35 "A"	1036173
016-8200	DKF 35 "B"	-
016-5702	DK 35 "A"	1003994
016-5701	DKS 50 "B"	1003994
016-5700	DKR 100	1003994
016-5700	IBA 100	1003994
016-5200	DK 25 "A"	-
016-5200	DKR 50	-
016-5200	IBA 50	-
Container Part no.:	Description:	Lashing arr.

Measure are for guidance only

In case VIKING does not manufacture the cradle, VIKING will not be held responsible for construction, dimensioning and choice of material for the rack.
.x= Last issue

1	Rack	1	836-071.x-2
Mrk. no.:	Object	Piece	Draw. no.
5162S/0	22.08.03 MS		
5162S/0	15.02.02.LJ MS		
5143/E	16.01.02.ENG MS		
#/5043S	16.03.01.MS MS		
*/1686S	16.01.01.ENG MS		
*/1534S	02.10.00.EB MS		
*/1489S	07.09.00.ENG MS		
Issue/rev. no.	Date:	Check:	This drawing is also in Danish
		P. O. Box 3060 6710 Esbjerg V Denmark	Scale: 1:10 Dim. in mm Drawn.: 16.06.93.LJ Check.: 16.06.93.PEA
General arrangement for rack for 1 pcs. life raft container			Drawing no.: 836-070.7-2
			CAD Nr.: 8360702