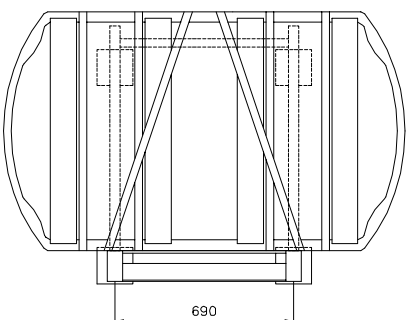
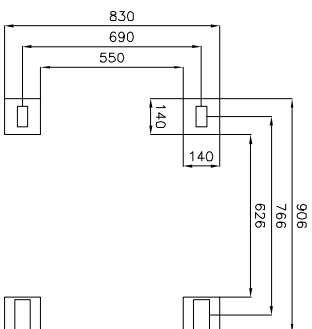
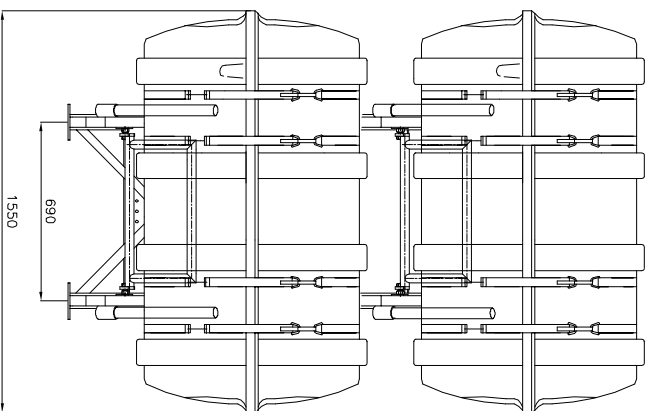
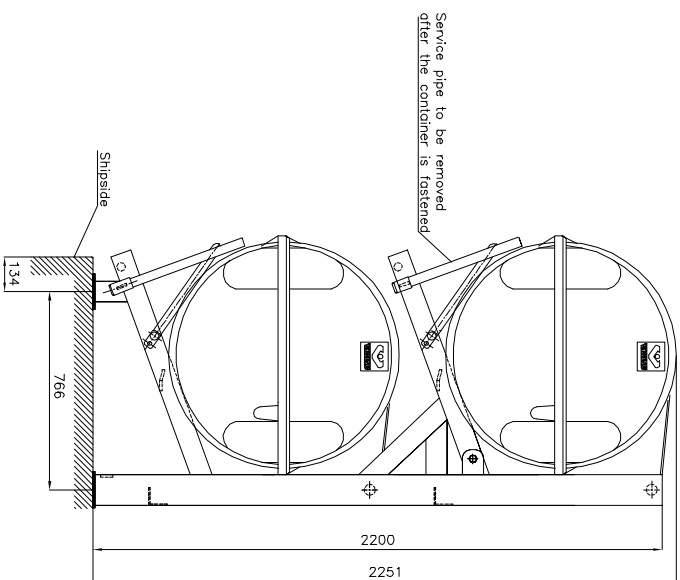


First angle projection



In case VIKING does not manufacture the cradle, VIKING will not be held responsible for construction, dimensioning and choice of material for the rack.

Weight: 154 kg

Part no. 1014868
Part no. 052-6184

2	Weld drawing bearing/bow	1	834-069-2	Rst.37-2
1	Weld drawing	1	834-068-2	Rst.37-2

Copyright of VIKING LIFE-SAVING EQUIPMENT, DENMARK, whose copied duplicated or in any other way made use of except with the approval of VIKING LIFE-SAVING EQUIPMENT, DENMARK.



VIKING
LIFE-SAVING EQUIPMENT

P. O. Box 3060
6710 Esbjerg V
Denmark

Scale:	1:20	Drawn:	130206 MS
	mm	Check:	130206 GA

Arrangement drawing for Column rack
2 pcs. liferafts

Drawing no.: 834-145A-3

Issue/ ref. no.	Date:	Check:
A	15.09.10 LRM	-

CAD Nr.: 834453

016-5400 35 DK "B"	
016-5702 35 DK "A"	
Container	Description:
Part no.:	