

1

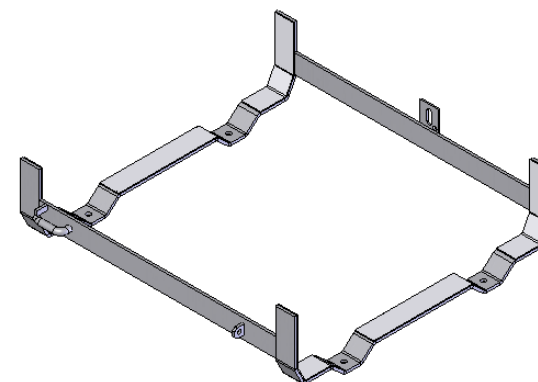
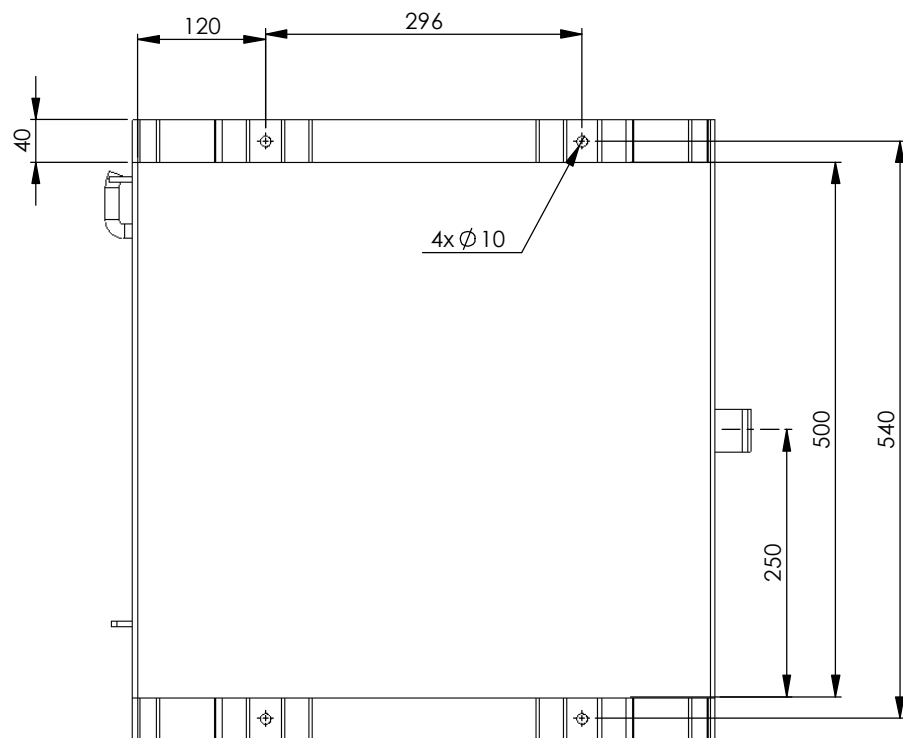
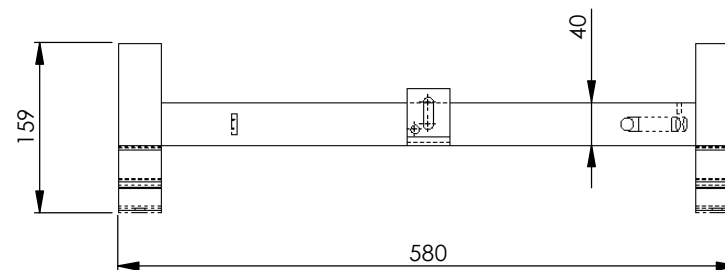
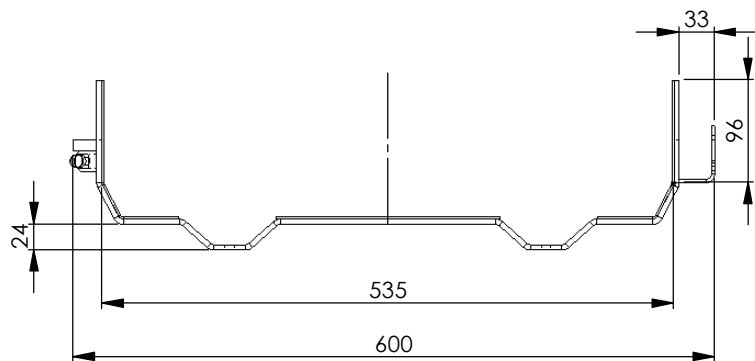
2

3

4


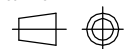
5

6



If the product is requested to be manufactured differently, this MUST be approved by VIKING LIFE-SAVING EQUIPMENT A/S and a specification of change must be filled in if the alteration is approved. Unless otherwise specified the product must always be clearly labelled with Viking part no., manufacturer ID and manufacturing year.

MATERIAL NO: 1015298	Old DWG No: -	STATUS:	UNITS: mm/kg	WEIGHT: 1544.926	CHECK DATE/INIT: /
BASIC MATERIAL:	SURFACE TREATMENT: -	SHEETSIZE: A3	SCALE: 1:5	SHEET NO.: 1/1	DRAWN DATE/INIT: /

 <p>VIKING LIFE-SAVING EQUIPMENT A/S Sædding Ringvej 13, DK-6710 Esbjerg V Tel.: +45 7611 8100 Fax.: +45 7611 8101 E-mail: viking@viking-life.dk Web: www.viking-life.com</p>	PROJEKTION TYPE  FIRST ANGLE PROJECTION GENERAL TOLERANCE: ISO 2768-1 G	DESCRIPTION: Cradle for container (Aluminium) Container part no. 016-0040
	CAD NO.: 14000415	Drawing NO.: 16004325

Copyright of VIKING LIFE-SAVING EQUIPMENT DENMARK whose property this document remains. No part thereof may be disclosed, copied, duplicated or in any other way made use of except with the approval of VIKING LIFE-SAVING EQUIPMENT DENMARK.

1

2

3

4

5

6