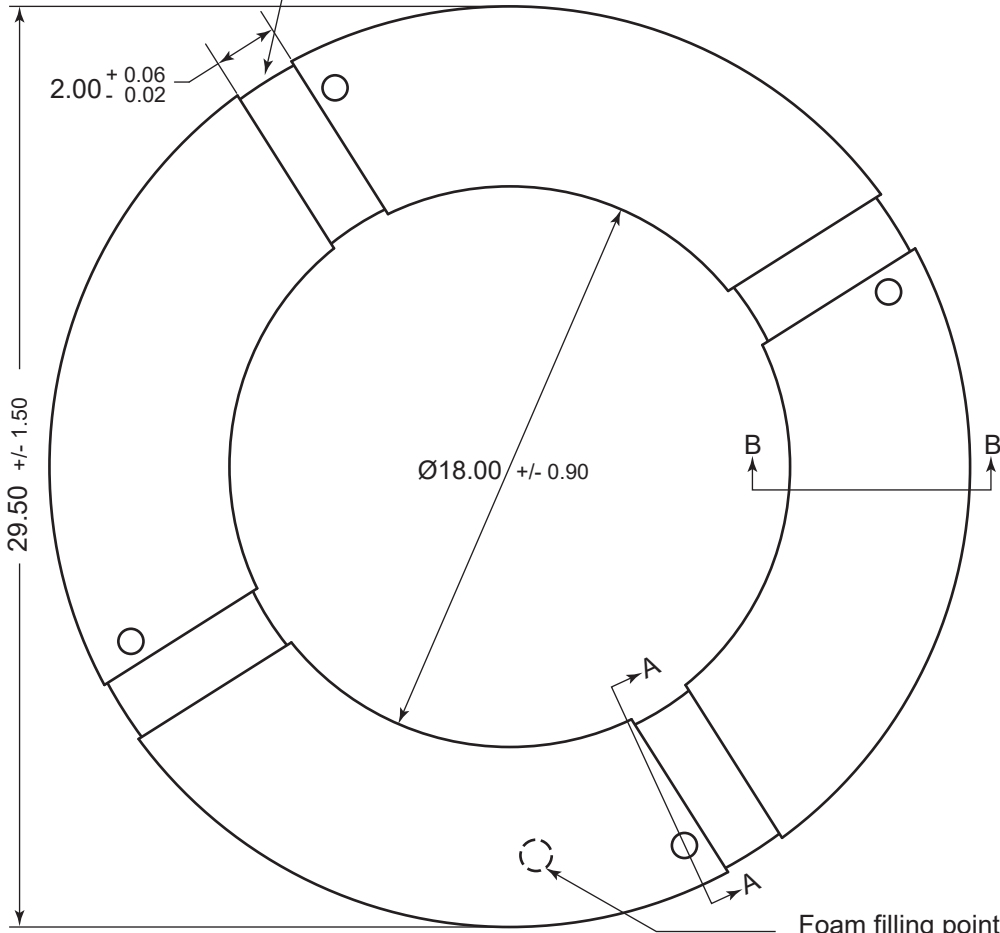
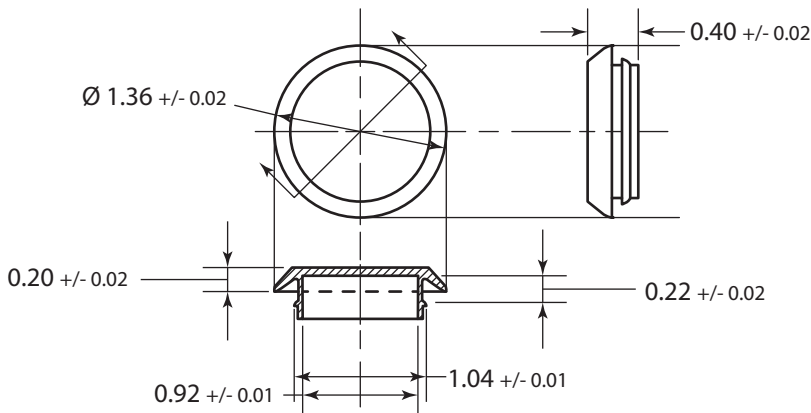


Optional Step Down Reliefs of approx. 0.07"
in depth (4 places approx. 90° separation)



NOTE:
Life Ring Buoy Finished
Weight will be:
Min. 5.0 lbs. Max. 7.5 lbs.


Foam filling point
1.00" dia. +/- 0.10
will be closed by
Spinweld process or
with Capplug (see
detail "A" if cap plug
is used)

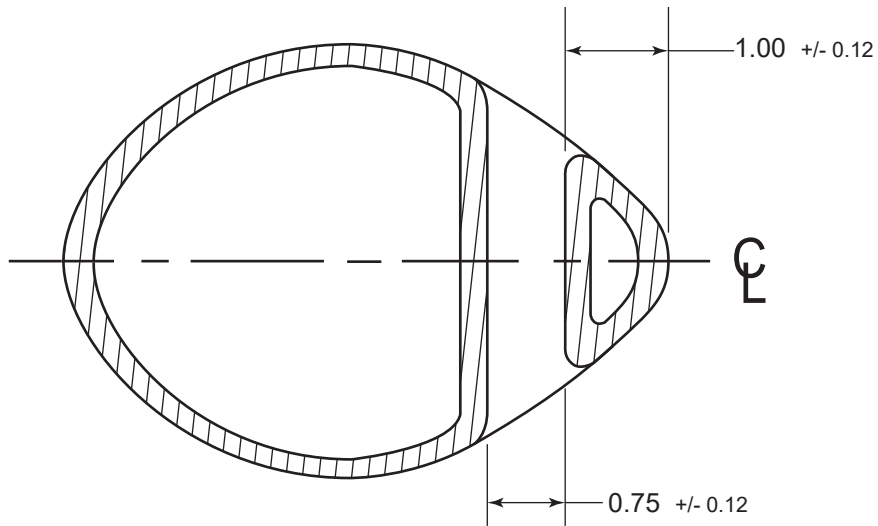


Cross Section

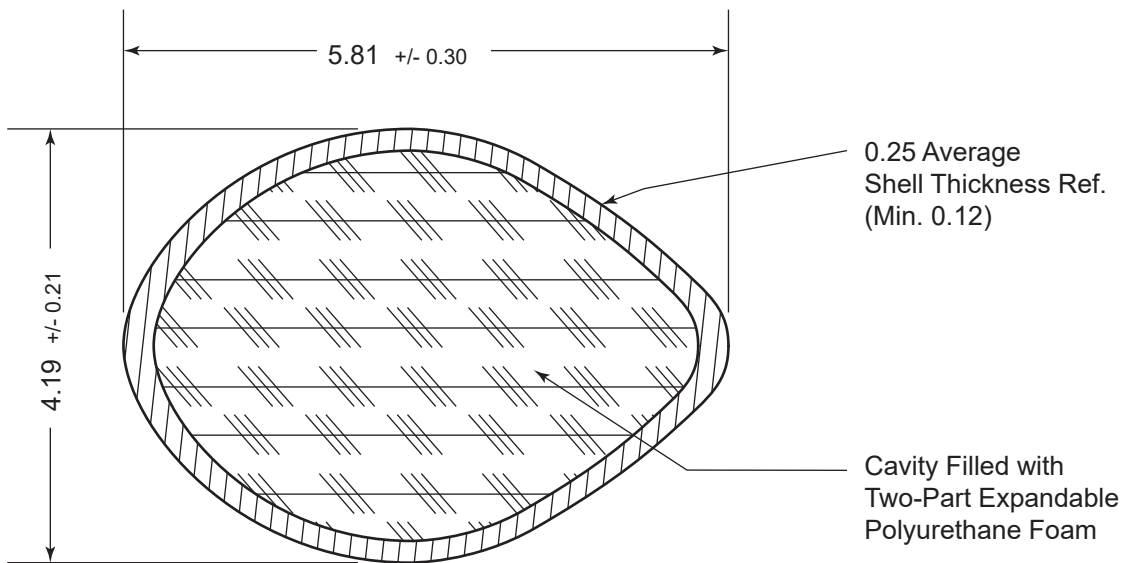
Detail "A"
Capplug

	RgM	
	RgM	
	Dwg By:	
01/12/16	01/12/16	
04/13/06	04/13/06	
Rev Date	Rev Date	
001	1. updated logo and address in title block.	Change Description
*	Original Issue.	
Rev		


PO Box 1537		 Kinder, LA 70648	
Date:	01/12/2016	Description	
Drawn By:	RgM	4.0 Kg, 30 IN. Buoy Blank, -Foamed	
Reviewed By:	HSM	Drawing No.: ZY04.0D	
Scale: NTS			
Units: Inches		Sheet 1 of 2	Rev. 001



Cross-Section A - A



Cross-Section B - B

PO Box 1537		 Kinder, LA 70648	
Date:	01/12/2016	Description	
Drawn By:	RgM	4.0 Kg, 30 IN. Buoy Blank, -Foamed	
Reviewed By:	HSM	Drawing No.: ZY04.0D	
Scale: NTS			
Units: Inches		Sheet 2 of 2	Rev. 001