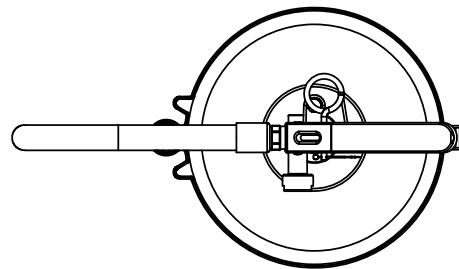
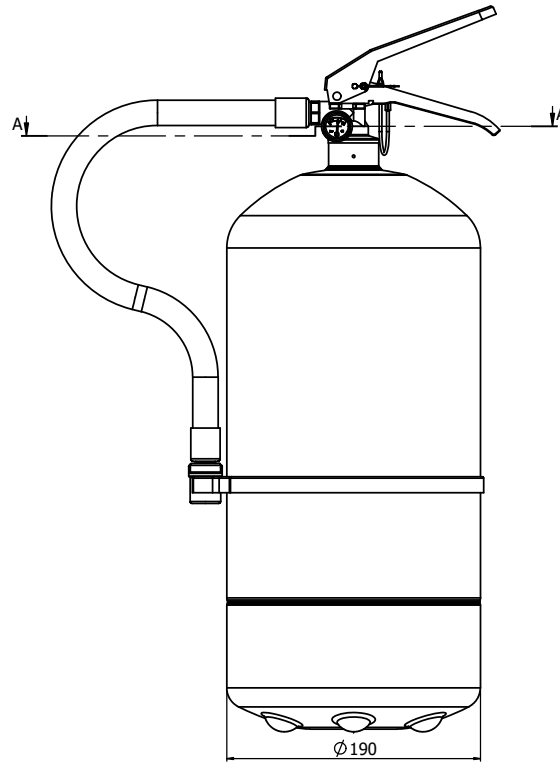
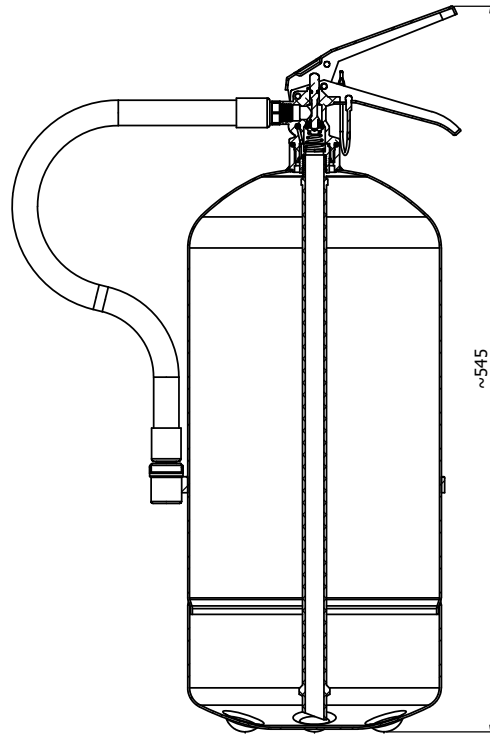


Note: label according to customer requirements: code 32.895F.F000.00 is for unlabeled extinguisher.
 Nota: etichetta secondo richiesta del cliente: il codice 32.895F.F000.00 vale per l'estintore neutro.
 Nota: étiquette suivant demande du client: le code 32.895F.F000.00 est valable pour l'extincteur neutre.



Section: A-A

PS9-HH - 9KG POWDER SP



an ANAFGROUP company

ANAFGROUP		PS9-HH ABC		Extinguisher assembled	
ANAFGROUP		Extinguisher assembled		Assembleo estintore	
ANAFGROUP		Assembleo estintore		Assembled extinguisher	
FL	DR	YA			
Aluminum valve added	Aluminum valve added	Aluminum valve added			
Apparecchio valvola alluminio	Apparecchio valvola alluminio	Apparecchio valvola alluminio			
Aluvalve added	Aluvalve added	Aluvalve added			
FL	DR	YA		12.61 kg	PS9-HH ABC
PDM alignment	PDM alignment	PDM alignment			
Allineamento PDM	Allineamento PDM	Allineamento PDM			
Alignment PDM	Alignment PDM	Alignment PDM			
HH	DR	YA		1:2	
Hooked handle added	Hooked handle added	Hooked handle added			
Aggiunto serbatoio gancio	Aggiunto serbatoio gancio	Aggiunto serbatoio gancio			
Added tank hook	Added tank hook	Added tank hook			
A1					32.895F.F000.00