

# Installation Instruction for Liferaft Container in cradle

V-MI- 0138



## Square container model

016-0014 + 016-0015

016-3301 + 016-3300

016-0009 + 016-0011

## Parts required for installation

A: 4 M10 bolts

B: 4 M10 nuts

C: 8 Washers

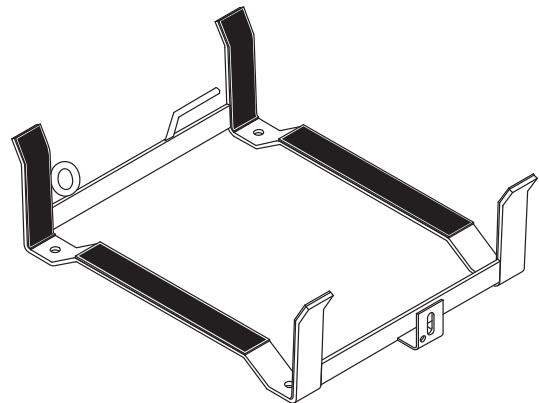


HAMMAR release unit



SeaMate release unit

Cell rubber on all surfaces facing the container



## With HAMMAR or SeaMate hydrostatic release unit

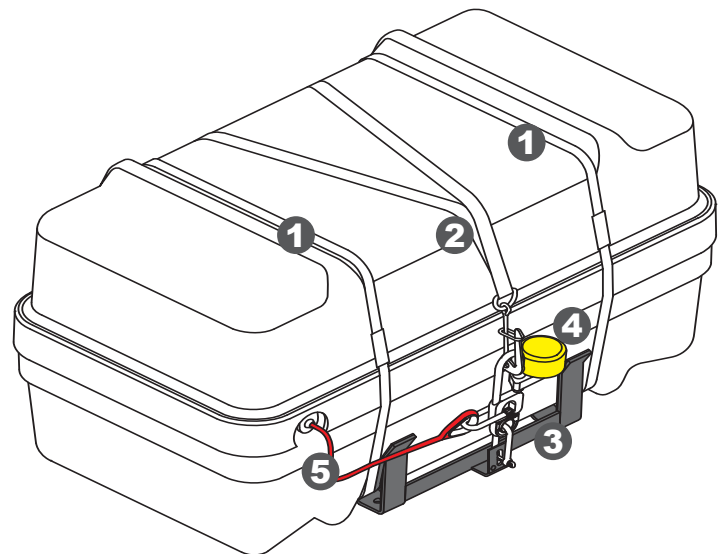
1 2 Container closing bands

2 Lashing strap

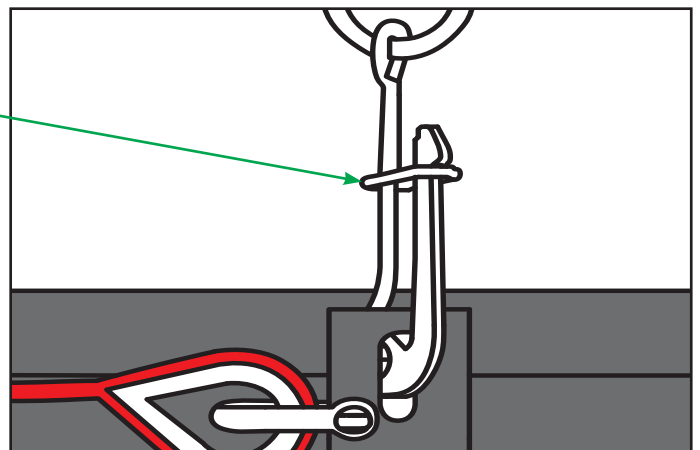
3 Cradle

4 HAMMAR or SeaMate release unit

5 Painter line



The ring in the pelican hook must be in the top as shown on the picture.



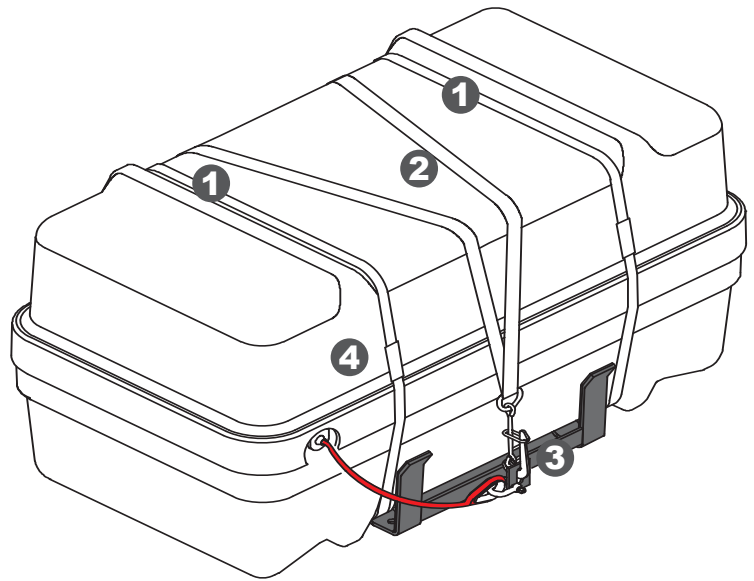
# Installation Instruction for Liferaft Container in cradle

V-MI- 0138



## Without hydrostatic release unit

- 1 2 Container closing bands
- 2 Lashing strap
- 3 Cradle
- 4 Painter line



### General installation guide lines:

Place the container so that the raft's painter can be operated from the deck (deck side). When positioning the container on the deck, ensure that release of the raft is not impeded, i.e. there must be unimpeded access to the raft's painter.

If the container in cradle is delivered without hydrostatic release unit, and if the painter is not fastened to the cradle with a shackle, the painter must be fastened to the cradle or a fixed point on the deck (approx. 0.8 metre away from the container), possibly by means of one shackle.

### Installation

Install the container in cradle on the deck by means of either bolting or welding.

Where it is not possible to instal the container right on the deck it can be installed on specially made profiles.

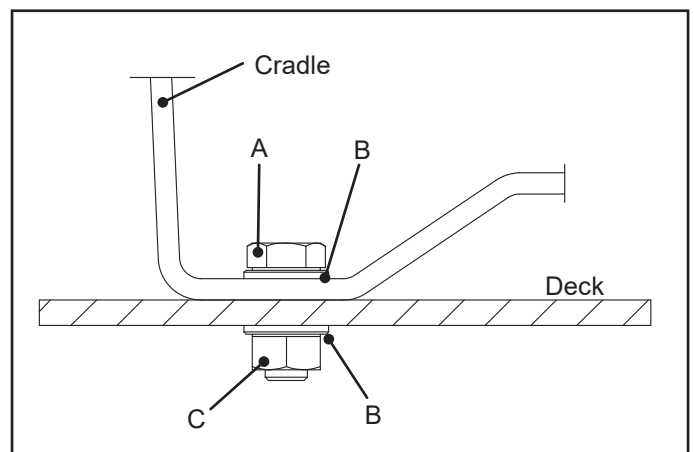
The raft can possibly be dismantled from the cradle in order to make room for bolting or welding the cradle to the deck or special profile.

Release the container from the cradle by opening the slip hook which is mounted in the hydrostatic release unit (HRU).

Dismount the painter from the cradle by opening the shackle that fixes it to the HRU.

Bolt down the cradle as shown in fig. 3.

Upon bolting or welding of the cradle, remount the container in the cradle by mounting the slip hook in the HRU and fit the painter in the HRU by means of the shackle.



# Installation Instruction for Liferaft Container in cradle

V-MI- 0138



## Bolting

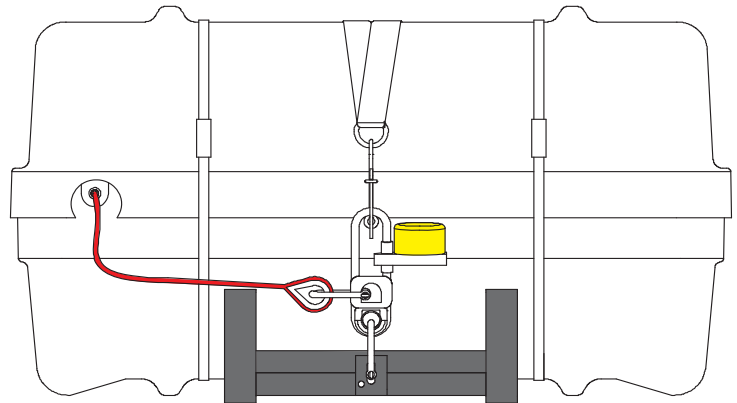
Bolt down the cradle by means of six M8 bolts, nuts and twelve washers, see fig. 3.

If the cradle is bolted down, the bolts must be retightened regularly to avoid that the cradle comes loose because of the vibrations of the vessel.

## Welding

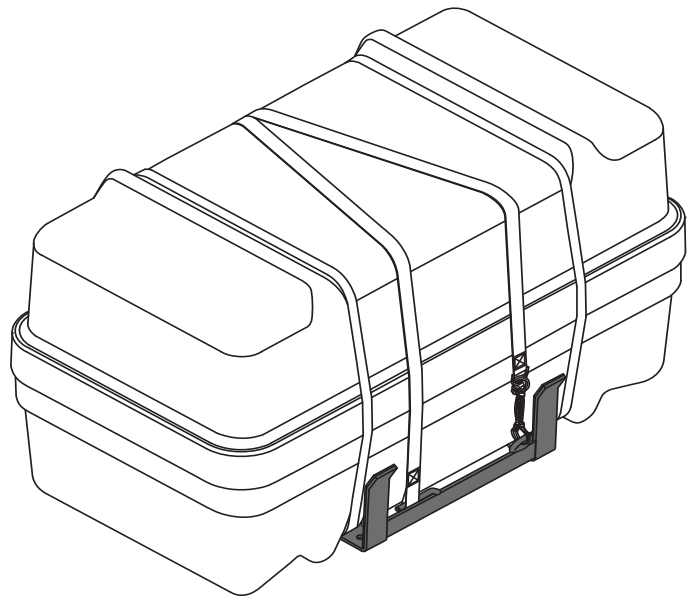
Weld the cradle to the deck with full welds along the edges which are in contact with the deck or the specially made profiles.

For a key to the letters used in fig. 3, please see overleaf.



## Positioning

- If container closing bands are squeezed by cradle, they should be pulled clear.
- To avoid complication during deployment, liferafts should not be blocked by chains, railing or similar.

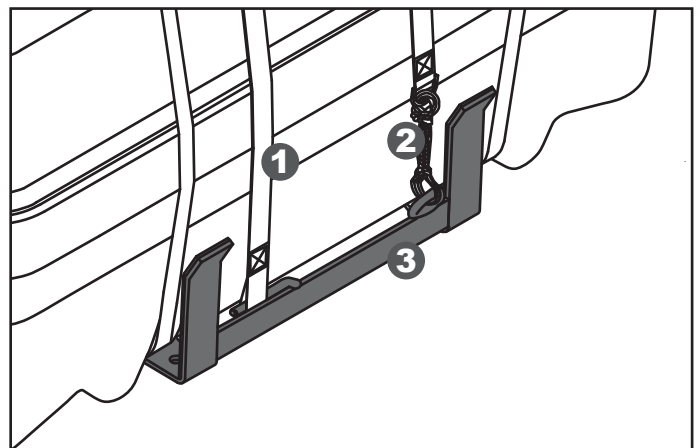


## Lashing

- Lashing should always be centered to ensure a straight pull, and should always be tightly fastened.
- Release hook should be installed easy to reach and operate.

Lashing seen from back side of cradle

- 1 Lashing
- 2 Lacing
- 3 Cradle



# Installation Instruction for Liferaft Container in cradle

V-MI- 0138



## Square container model

016-3000

016-3100

016-3200

## Parts required for installation

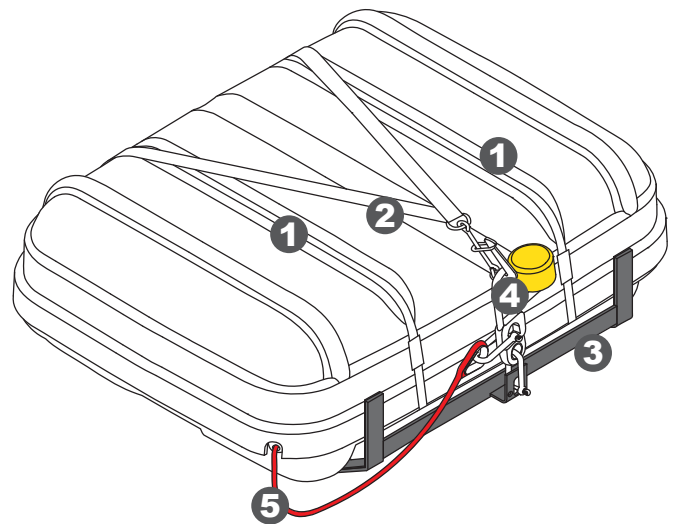
A: 4 M8 bolts

B: 4 M8 nuts

C: 8 Washers

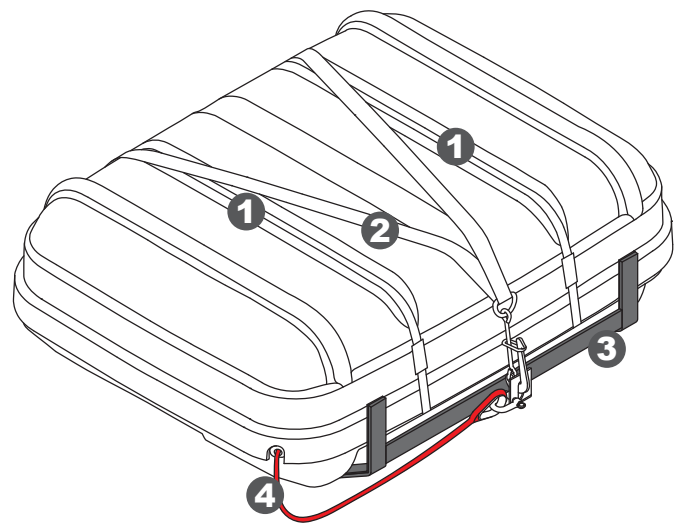
## With HAMMAR or SeaMate hydrostatic release unit

- 1 2 Container closing bands
- 2 Lashing strap
- 3 Cradle
- 4 HAMMAR or SeaMate release unit
- 5 Painter line



## Without hydrostatic release unit

- 1 2 Container closing bands
- 2 Lashing strap
- 3 Cradle
- 4 Painter line



## General installation guide lines:

Place the container so that the raft's painter can be operated from the deck (deck side). When positioning the container on the deck, ensure that release of the raft is not impeded, i.e. there must be unimpeded access to the raft's painter.

If the container in cradle is delivered without hydrostatic release unit, and if the painter is not fastened to the cradle with a shackle, the painter must be fastened to the cradle or a fixed point on the deck (approx. 0.8 metre away from the container), possibly by means of one shackle.

# Installation Instruction for Liferaft Container in cradle

V-MI- 0138



## Installation

Install the container in cradle on the deck by means of either bolting or welding.

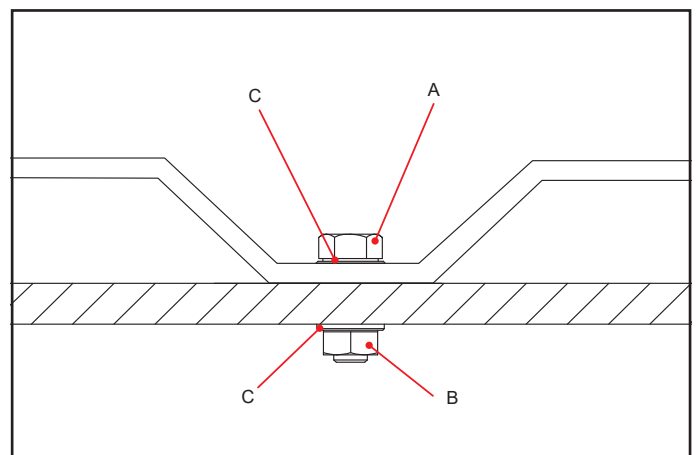
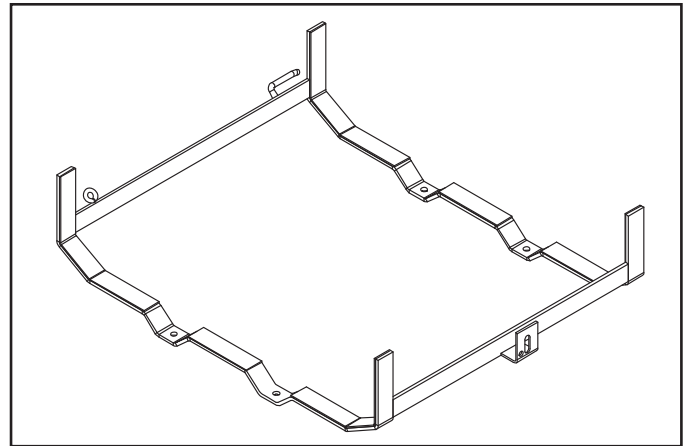
Where it is not possible to instal the container right on the deck it can be installed on specially made profiles.

The raft can possibly be dismantled from the cradle in order to make room for bolting or welding the cradle to the deck or special profile.

Release the container from the cradle by opening the slip hook which is mounted in the hydrostatic release unit (HRU).

Dismount the painter from the cradle by opening the shackle that fixes it to the HRU.

Bolt down the cradle as shown in fig. 3. Upon bolting or welding of the cradle, remount the container in the cradle by mounting the slip hook in the HRU and fit the painter in the HRU by means of the shackle.



## Bolting

Bolt down the cradle by means of six M8 bolts, nuts and twelve washers, see fig. 3.

If the cradle is bolted down, the bolts must be retightened regularly to avoid that the cradle comes loose because of the vibrations of the vessel.

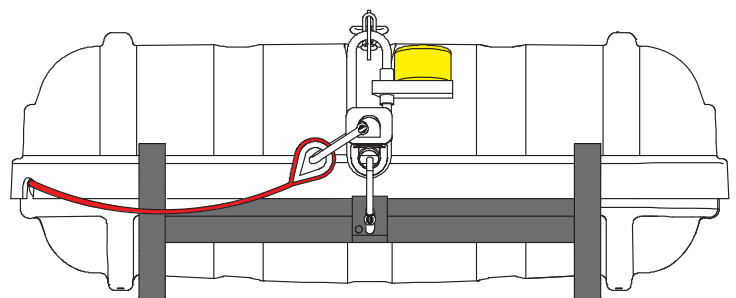
## Welding

Weld the cradle to the deck with full welds along the edges which are in contact with the deck or the specially made profiles.

For a key to the letters used in fig. 3, please see overleaf.

## Positioning

- If container closing bands are squeezed by cradle, they should be pulled clear.
- To avoid complication during deployment, liferafts should not be blocked by chains, railing or similar.



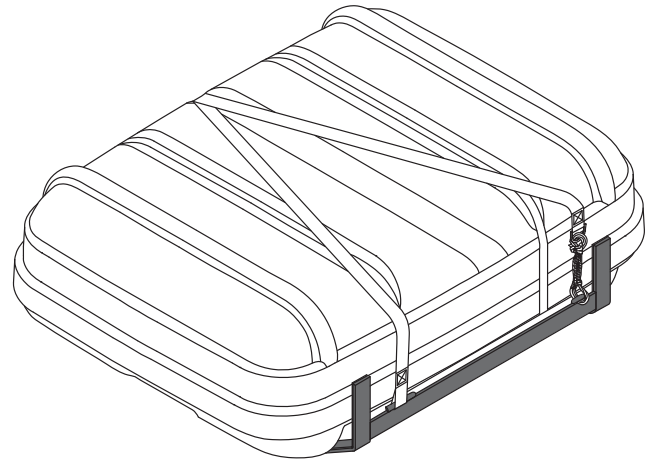
# Installation Instruction for Liferaft Container in cradle

V-MI- 0138



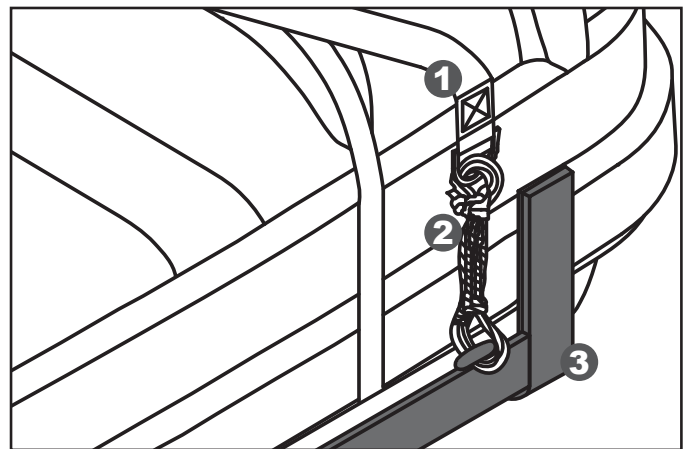
## Lashing

- Lashing should always be centered to ensure a straight pull, and should always be tightly fastened.
- Release hook should be installed easy to reach and operate.



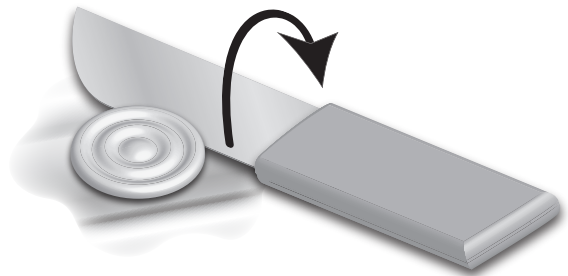
Lashing seen from back side of cradle

- 1 Lashing
- 2 Lacing
- 3 Cradle



## Drain Plug

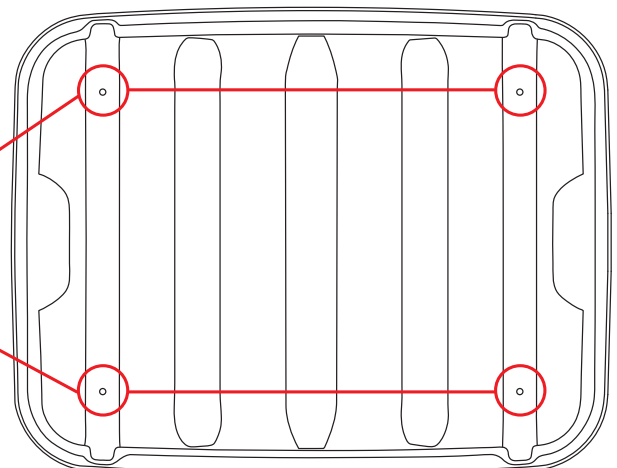
Your VIKING VL life raft must remove 4 plastic plugs from the drain holes on the long side of the container or on its under side in order to create drains in the container. Drain holes enable condensed water to get out of the container.



Removal of Drain Plugs Before Mounting Your VIKING VL Life Raft by means of a knife.

## Container Secured/Fastened to the Deck.

If the container is mounted to the deck 4 drain plugs from its under-side must be removed.



# Installation Instruction for Liferaft Container in cradle

V-MI- 0138



## Maintenance of Hooks and Lashing

This instruction is to help to control and maintain lashings of liferafts, that are not part of the Marine Evacuation System.

### Lashing

The lashing of liferafts should be tight. Over the years they can start to rot, therefore you might have to change these.

Lashings have an approximate lifetime of 10 years. Lashings produced from 2018 forward are marked with expiration date, making it easier to plan replacement.



Lashing

### Hook

VIKING has two types of hooks, Pelican hooks and Slip hooks.

Both can be maintained by greasing with GREASE OMEGA 66, Material no.1012028 or Anti-corrosion wax based treatment advised by VIKING. Long-time protection of steel parts. Apply the corrosion protection on the surface with a brush. Wipe off all excessive wax without removing the wax from moving parts.

Ensure to replace when corrosion is observed, or let it be fixed by the servicing station, when liferaft is in for service.

All spare parts can be purchased through the VIKING Servicing Network.



Pelican hook



Slip hook

# Installation Instruction for Liferaft Container in cradle

V-MI- 0138



Sign - Do not pull red line when mounting



This sign must be removed after installation on ship.

