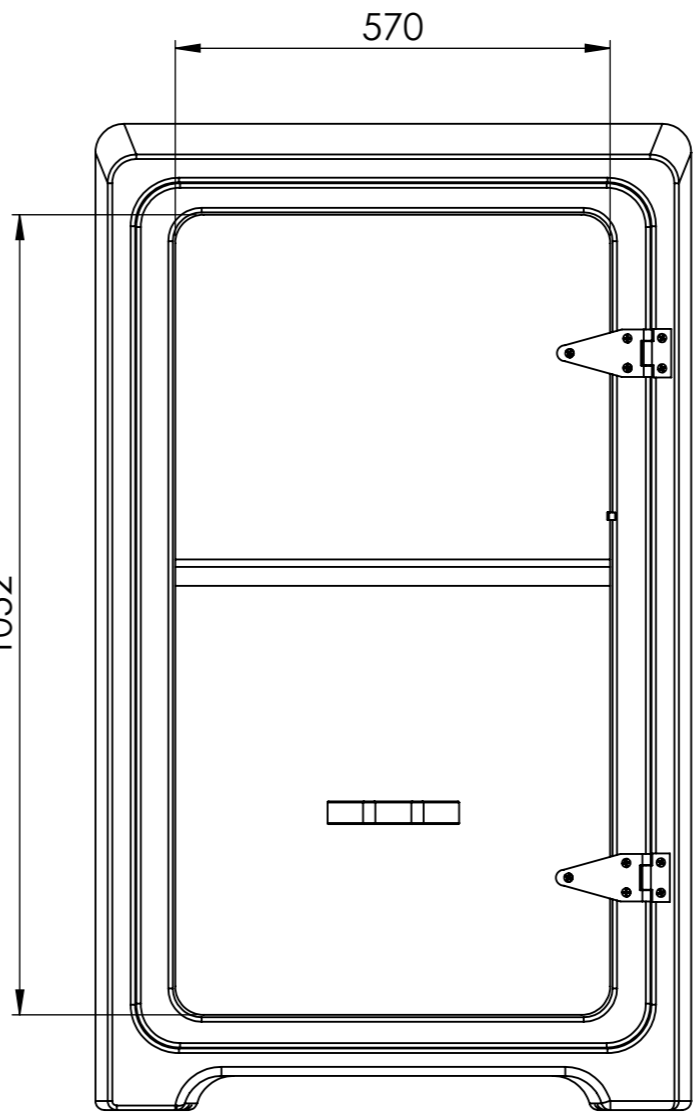
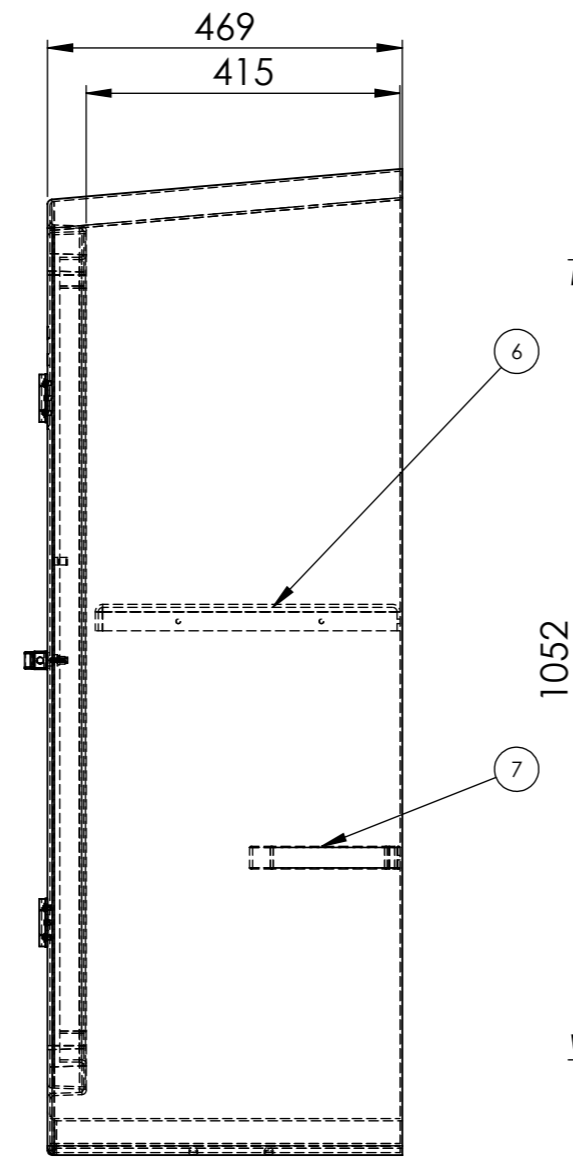
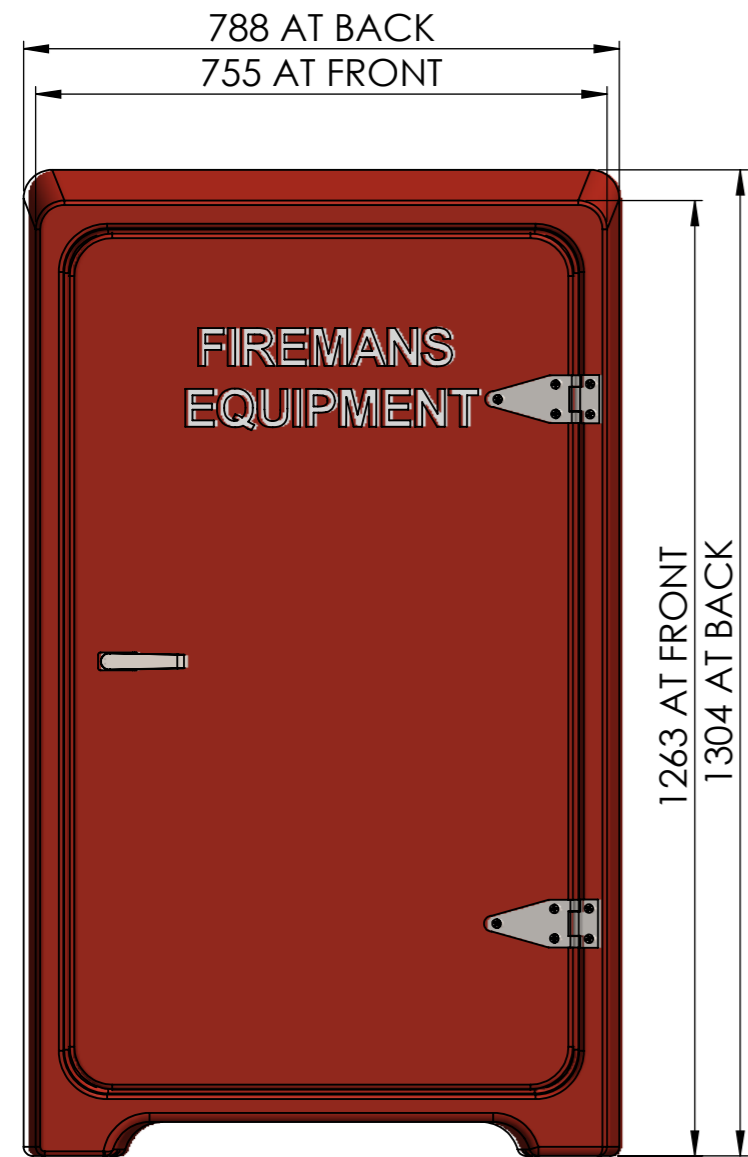


SPECIFICATION	
MATERIAL	3-4MM GRP
FIXING POINTS	100MM ² PADS AND BOTTOM BACK
IP RATING	IP56
SEAL	EPDM
HINGES	316 STAINLESS STEEL
DOOR HANDLE	L HANDLE WITH 3 WAY LOCKING
COLOUR	RED RAL 3000
LETTERING	FIREMANS EQUIPMENT
LETTERING SIZE AND COLOUR	50MM WHITE



ITEM NO.	PART NUMBER	QTY.
6	JB10 FULL WIDTH SHELF	1
7	180mm BA CLIP	1

All The information hereon is the property of Jo Bird & Co Ltd. Copying, transmittal to others or publication is prohibited.		
MODEL: JB10FE	DO NOT SCALE DRAWING	REVISION A
UNLESS OTHERWISE SPECIFIED DIMENSIONS ARE IN MILLIMETERS		TOLERANCE 5% +/-
	FACTORY LANE, BASON BRIDGE, HIGHBRIDGE, SOMERSET, TA9 4RN, UK	CABINET DETAILS: 1304H x 788W x 469D DOOR APERTURE: 1052H x 570W INTERNAL DEPTH:415 WEIGHT:22KG
	JO BIRD.CO.UK	QUOTE REFERENCE: JRBQ
	INFO@JOBIRD.CO.UK	CUSTOMER:
	+44 (0)1278 785546	SCALE 1:20
		SHEET 1 of 1

	NAME	DATE
DRAWN	LS	06/12/2021
CHK'D	TE	06/12/2021
APPV'D		06/12/2021
MFG		06/12/2021
Q.A		06/12/2021