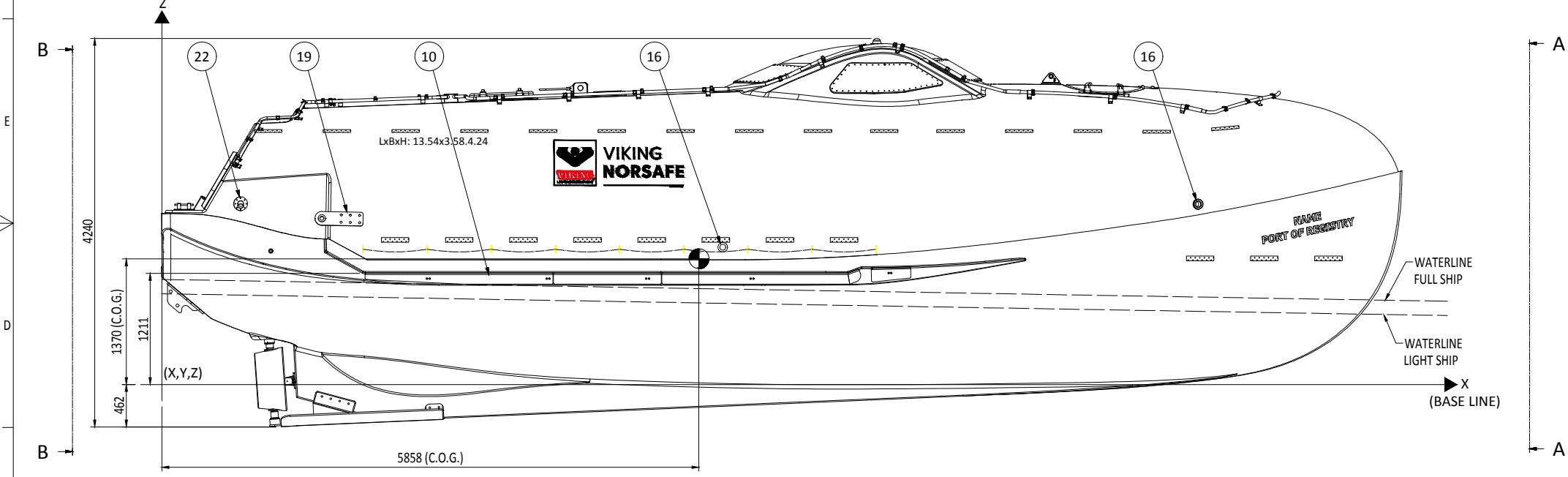
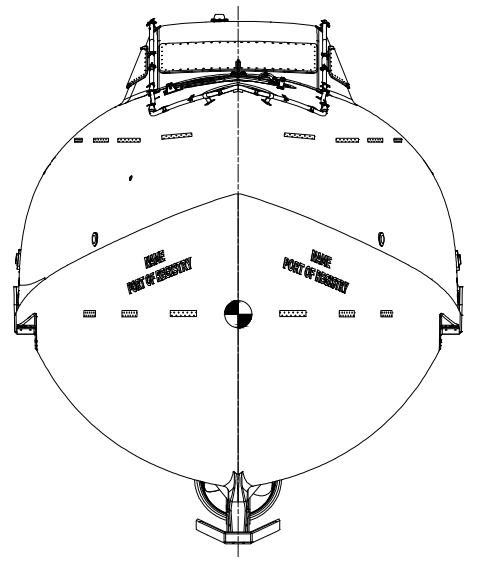


Parts List		
ITEM	QTY	DESCRIPTION
1	1	RELEASE HOOK
2	1	AFT HATCH
3	1	FRONT HATCH
4	1	AFT DOOR
5	1	SINGLE POINT LIFTING PLUG
6	1	FRONT WINDOW
7	1	AFT WINDOW
8	1	STB SIDE WINDOW
9	1	PORT SIDE WINDOW
10	2	SKIDWAY
11	1	SPRINKLER SYSTEM
12	1	LIFTING EYE
13	3	BOLLARD WITH BACKING
14	4	FOOT STEP
15	1	LASHING U-BOLT
16	4	BALLAST TANK VENTILATION
17	1	LASHING PROTECTIVE PLATE
18	2	AIR BOTTLE BOX HATCH
19	2	HANG-OFF BRACKET
20	1	KEEL SHOE
21	1	PROPELLER
22	1	EXHAUST OUTLET
23	1	MARKING LIGHT
24	1	FUEL FILLER Ø40
25	1	FUEL TANK VENTILATION
26	1	CHARGING PLUG

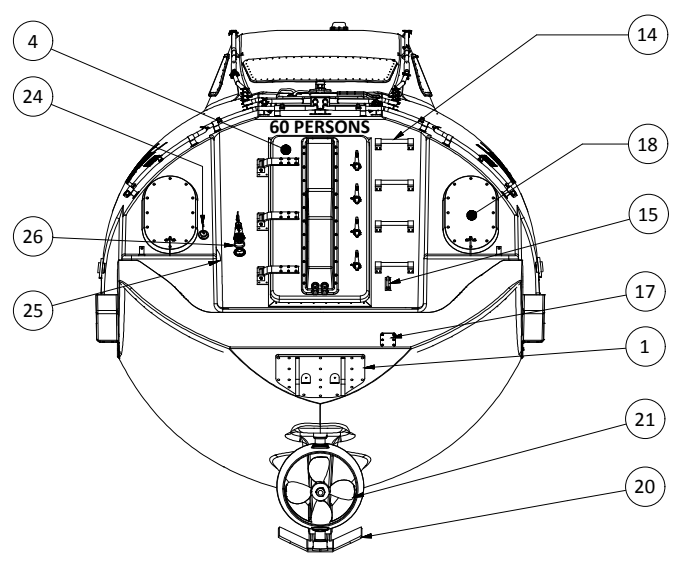


PRINCIPAL DIMENSIONS:

CAPACITY	60 PERSONS
LENGTH OVERALL	13,54 m
WIDTH OVERALL	3,58 m
HEIGHT OVERALL	4,24 m
SPEED	Min. 6 Knots
WEIGHT FULLY EQUIPPED	14500 kg
DAVIT LOAD PERSONS @100 kg	20500 kg
DAVIT LOAD PERSONS @82,5 kg	19450 kg



A (1:30)



B (1:30)

2	TITLE FIELD REVISED	JODO	IMG	POP	05.07.2019
1	ITEM 4 REVISED	JODO	POP	ATE	13.04.2018
0	ISSUED FOR PRESENTATION	VSO			03.03.2015
REV	DESCRIPTION	BY	CHECK	APPRO	DATE

REVISION HISTORY

	VIKING NORSAFE P.O. Box 115 4852 Færvik NORWAY Tel: +47 37 05 85 00 Fax: +47 37 05 85 01 24/7 Service: +47 37 05 63 33 Email: Viking-Norsafe@viking-life.com	This drawing is the sole property of VIKING Norsafe Life-Saving Equipment Norway AS. It must not be submitted to other parties nor used in any manner detrimental to our interests. It shall not be copied, reproduced, used for manufacturing or sale without the written consent of VIKING Norsafe Life-Saving Equipment Norway AS. All rights are reserved.	
	DWG SIZE: A1	SCALE: 1:30	COPY OF:
	CLIENT NO:	PROJECTION METHOD:	REVISION: 2
	TOLERANCES: ISO 2768-mk, ISO 13920-BF	PROJECT:	

DWG No: **G-500711**

PART NO. _____ WEIGHT: _____ SHEET: **1/1**

GES-45 SOLAS GENERAL ARRANGEMENT EXTERNAL