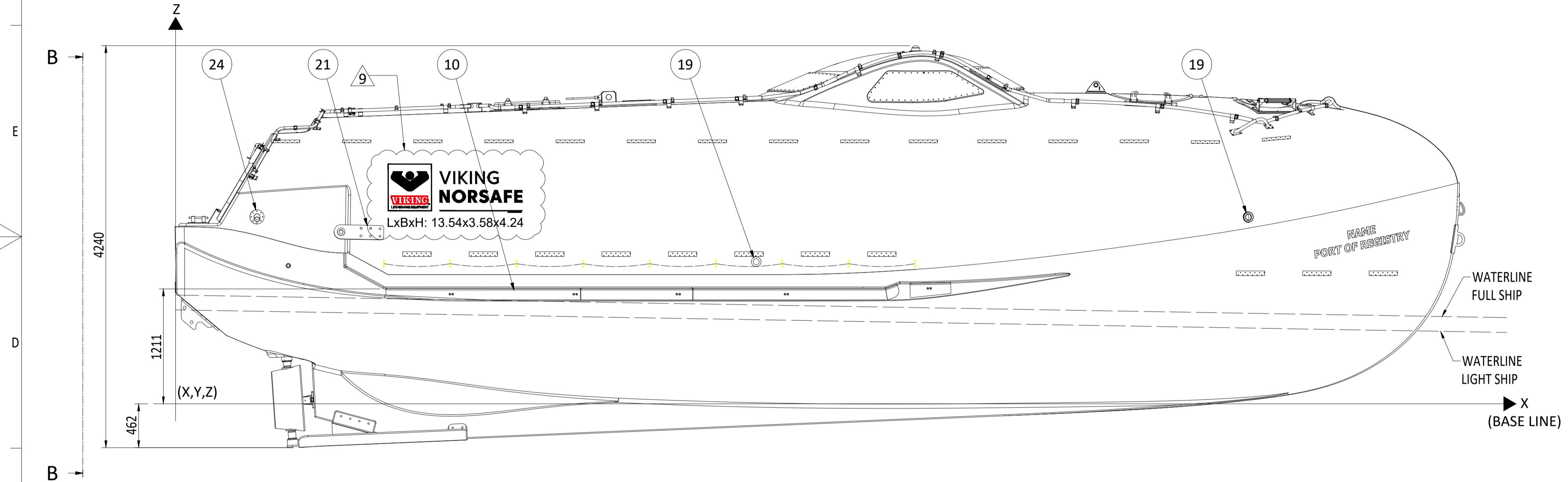


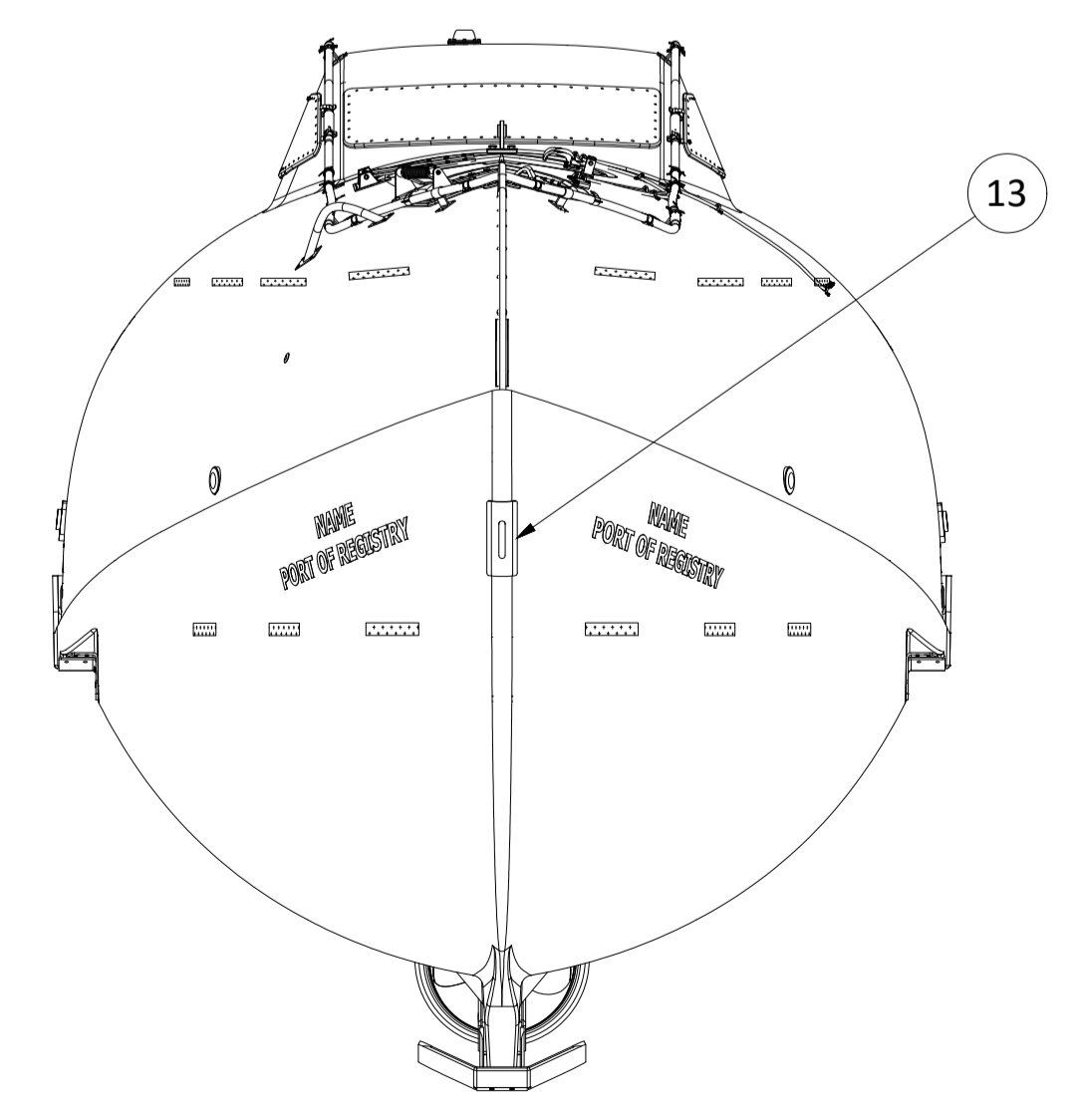
Parts List		
ITEM	QTY	DESCRIPTION
1	1	RELEASE HOOK
2	1	AFT HATCH
3	1	FRONT HATCH
4	1	AFT DOOR
5	1	SINGLE POINT LIFTING PLUG, SWL=30T
6	1	TOWLINE COMPARTMENT
7	1	TOWLINE RELEASE SYSTEM
8	1	TOWLINE CONNECTOR
9	1	LIFTING EYE
10	2	BOLLARD WITH BACKING
11	3	FOOT STEP
12	4	LASHING U-BOLT
13	4	BALLAST TANK VENTILATION
14	2	AIR BOTTLE BOX HATCH
15	2	HANG-OFF BRACKET
16	1	KEEL SHOE
17	1	PROPELLER
18	1	EXHAUST OUTLET
19	1	TOP LANTERN
20	1	HVAC CONNECTOR Ø125
21	1	FUEL FILLING
22	1	FUEL TANK VENTILATION
23	1	CHARGING PLUG
24	1	OPTIONAL, SPRINKLER TEST CONNECTION



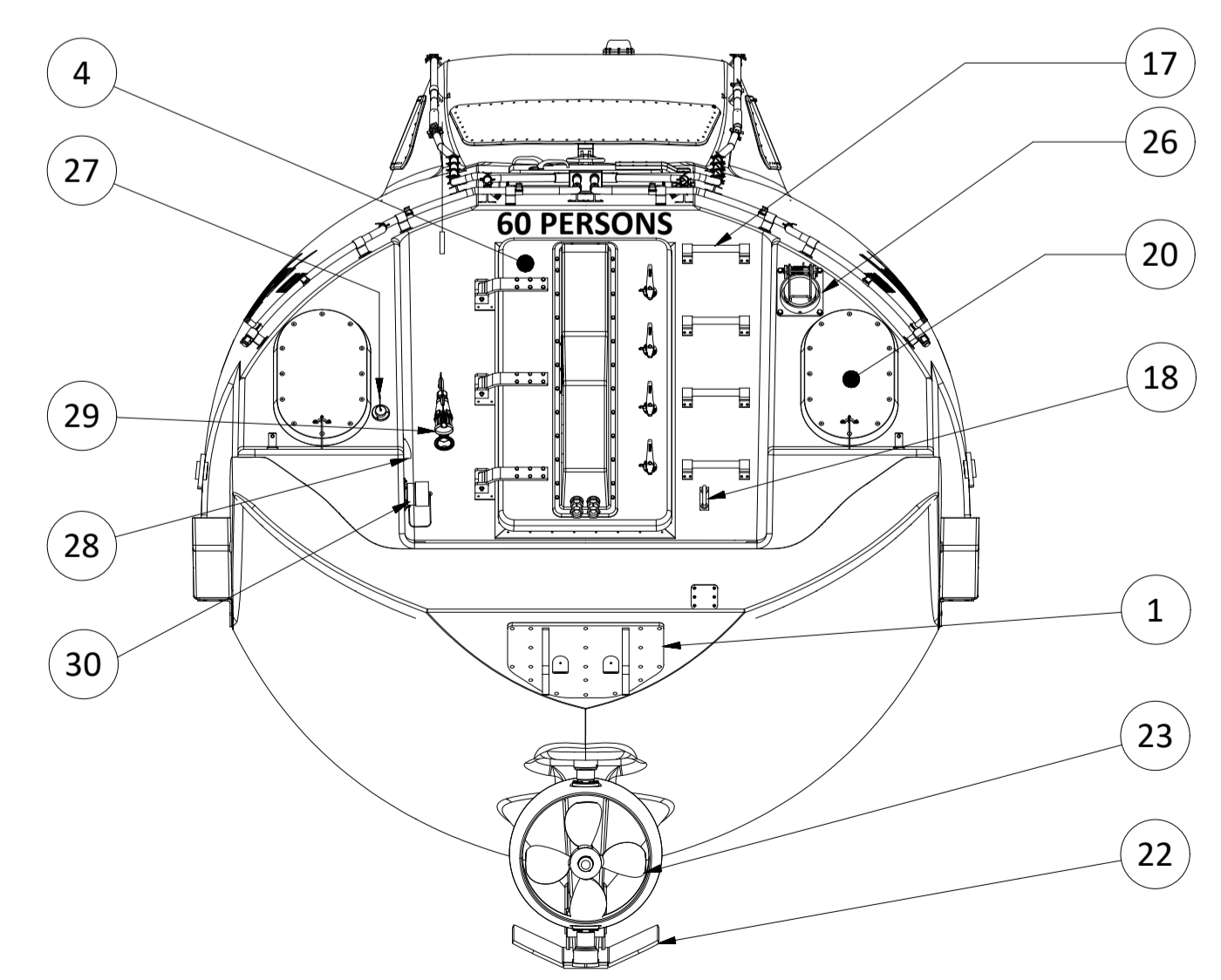
COG			
Fully Equipped Unmanned Lifeboat			
Engine	X [mm]	Y [mm]	Z [mm]
STEYR SE286E40	5845	0	1360
BUKH D4-300	5766	0	1376

**PRINCIPAL DIMENSIONS:**

CAPACITY	60 PERSONS
LENGTH OVERALL	13,59 m
WIDTH OVERALL	3,58 m
HEIGHT OVERALL	4,24 m
SPEED	Min. 6 Max. 9 Knots
WEIGHT FULLY EQUIPPED	15212 Kg
DAVIT LOAD PERSONS @100 Kg	21212 Kg
DAVIT LOAD PERSONS @82,5 Kg	20162 Kg



A ( 1:30 )



B ( 1:30 )

REV	DESCRIPTION	BY	CHECK	APPRO	DATE
9	LOGO POSITION AND COG DATA UPDATED	JODO	POP	ATE	21.07.2020
8	TITLE FIELD REVISED AND PARTS LIST RENUMBERED	JODO	IMG	POP	05.07.2019
7	HANDHOLD, REFLEX, TEXT ADDED TO BOAT	PPE	ATE	VSO	15.07.2016
6	WEIGHT UPDATE	KGR	VSO	ATE	11.03.2016
5	TOP HATCHES POSITION CHANGED	VSO	KGR	ATE	11.11.2015

		VIKING Norsafe Life-Saving Equipment Norway AS P.O. Box 115 Tel: +47 37 05 85 00 4852 Færvik Fax: +47 37 05 85 01 NORWAY 24/7 Service: +47 37 05 63 33 Email: Viking-Norsafe@viking-life.com	
Drawn by: KRL Check by: ERM Appr. by: GSE Initial release date: 28.08.2013		Project number: _____ Project name: _____ Client number: _____	
Title: <b>GES-45 NO</b> <b>GENERAL ARRANGEMENT</b> <b>EXTERNAL</b>		Material Number: Weight: <b>0,0 kg</b> Projection method:	
Drawing type: GA Tolerances: ISO 2768-mK, ISO 13920-BF Drawing Number: G-500174		Scale: 1:30 Sheet Size: A1 Revision: 0 Sheet No.: 1/1	