

## Order Information concerning Spare Parts List

When placing orders for Spare Parts, please give only the order numbers listed in the spare parts list.

The order number can refer to 1 piece or 1 repair set, (multiple quantity).

The minimum order quantity for each order number must correspond with the packed quantity or multiples of the packing quantity.

Examples:

1. An customer orders 10 pieces

Quantity delivered 1 package with 10 pieces V04711

Price charged 10 \* V04711 at 0,90 EUR each, total price = 9,00 EUR

(minimum price)

2. A customer orders 3 pieces

When booking the order in the EDP, the order quantity is automatically increased to 10 pieces.

Order quantity and price charged, see para. 1.

3. A customer orders 16 pieces

When booking the order, the order quantity is automatically increased to the next higher packing quantity - 20 pieces.

Quantity delivered 2 packages with 10 \* V04711 each

Price charged 20 \* V04711 at 0,90 EUR each, total price = 18,-- EUR

A repair-exchange (RE) is normally only carried out, if a repairable part has been returned by the customer. At customer's request Dräger however, Dräger will charge the list price for the new part if customer's old part is not received within a period of 3 calendar weeks.

Information concerning the handling of spare parts sets in case of repair:

For technical reasons, it is always necessary to exchange complete sets. Only in this way, the correct functioning of the repaired device can be ensured.

Subject to change without n

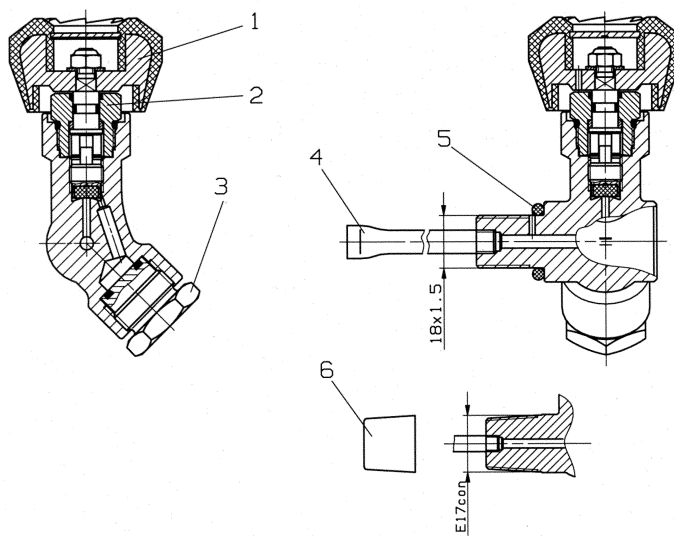
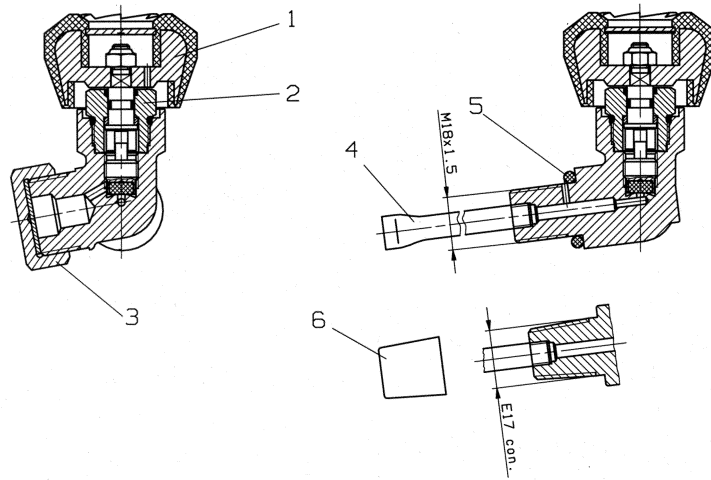
Spare Part List  
GAS CYLINDER VALVE LAR

Edition date  
24.11.2009

Spare Part List  
2214.175

T13670, T13790, T16615, T16617, T16395, T15536  
T15537, T13655, T13642

Page: 1  
Image: 1



Internal: Spare parts list for technician



Subject to change without n

Spare Part List  
GAS CYLINDER VALVE LAR

Edition date  
24.11.2009

Spare Part List  
2214.175

T13670, T13790, T16615, T16617, T16395, T15536  
T15537, T13655, T13642

Page: 2  
Image: 1

POSITION	DESIGNATION	PART- NUMMER	ORDER CODE	PACK. QTY.
1.1,2,3.1.,4-5	VALVE,O2,200,G3/4M,NM,M18X1,5		T13670	
1.1,2,3.1,4,6	Valve 200 BAR O2		T13790	
1.1,2,3.1,4,6	VALVE 200 BAR O2		T16395	
1.2,2,3.3,4-5	VALVE 200 BAR DR-NM/R		T15536	
1.3,2,3.3,4-5	VALVE 200 BAR DR-NM/L		T15537	
1.2,2,3.1,4-5	VALVE,200,G3/4,NM,M18X1.5,R		T13655	
1.3,2,3.1,4-5	VALVE,200,G3/4,NM,M18X1.5,L		T13642	
1.1	SPARE PARTS SET HANDWHEEL,BLK		T51352	
1.2	Spare Kit f. hand wheel, green cap		T52737	
1.3	Spare Kit f. hand wheel, red cap		T52738	
2	Spare Kit f. inner parts of valve		V11012	
3.1	CLOSING NUT, COMPLETE		T14086	
3.2	NUT COMPLETE		V05519	
3.3	Closing screw 200 bar, G5/8"		V05501	
4	PROTECTIVE TUBE		T14087	
5	O-Ring, green		V11124	10
6	Sealing capsule, small		D04739	10
-	LUBRICANT GLEITMO 595(60g tube) WITHOUT ILLUSTRATION		V11146	
	SUBSEQUENT POSITION NOT ILLUSTRATED:			

Internal: Spare parts list for technician



Subject to change without n

Spare Part List  
GAS CYLINDER VALVE LAR

Edition date  
24.11.2009

Spare Part List  
2214.175

T13670, T13790, T16615, T16617, T16395, T15536  
T15537, T13655, T13642

Page: 3  
Image: 1

POSITION	DESIGNATION	PART- NUMMER	ORDER CODE	PACK. QTY.
-	CYLINDER VALVE SOFT KIT		T16888	
-	Rep.set lower spindle		T16932	