

Order Information concerning Spare Parts List

When placing orders for Spare Parts, please give only the order numbers listed in the spare parts list.

The order number can refer to 1 piece or 1 repair set, (multiple quantity).

The minimum order quantity for each order number must correspond with the packed quantity or multiples of the packing quantity.

Examples:

1. An customer orders 10 pieces

Quantity delivered 1 package with 10 pieces V04711

Price charged 10 * V04711 at 0,90 EUR each, total price = 9,00 EUR

(minimum price)

2. A customer orders 3 pieces

When booking the order in the EDP, the order quantity is automatically increased to 10 pieces.

Order quantity and price charged, see para. 1.

3. A customer orders 16 pieces

When booking the order, the order quantity is automatically increased to the next higher packing quantity - 20 pieces.

Quantity delivered 2 packages with 10 * V04711 each

Price charged 20 * V04711 at 0,90 EUR each, total price = 18,-- EUR

A repair-exchange (RE) is normally only carried out, if a repairable part has been returned by the customer. At customer's request Dräger however, Dräger will charge the list price for the new part if customer's old part is not received within a period of 3 calendar weeks.

Information concerning the handling of spare parts sets in case of repair:

For technical reasons, it is always necessary to exchange complete sets. Only in this way, the correct functioning of the repaired device can be ensured.

Internal: Spare parts list for technician



Subject to change without

Spare Part List
Gas Cylinder Valves/non-magnet

Edition date
04.03.2004

Spare Part List
2216.221

V06185, V06190, V07585, V07590

Page: 1
Image: 1

Subject to change without

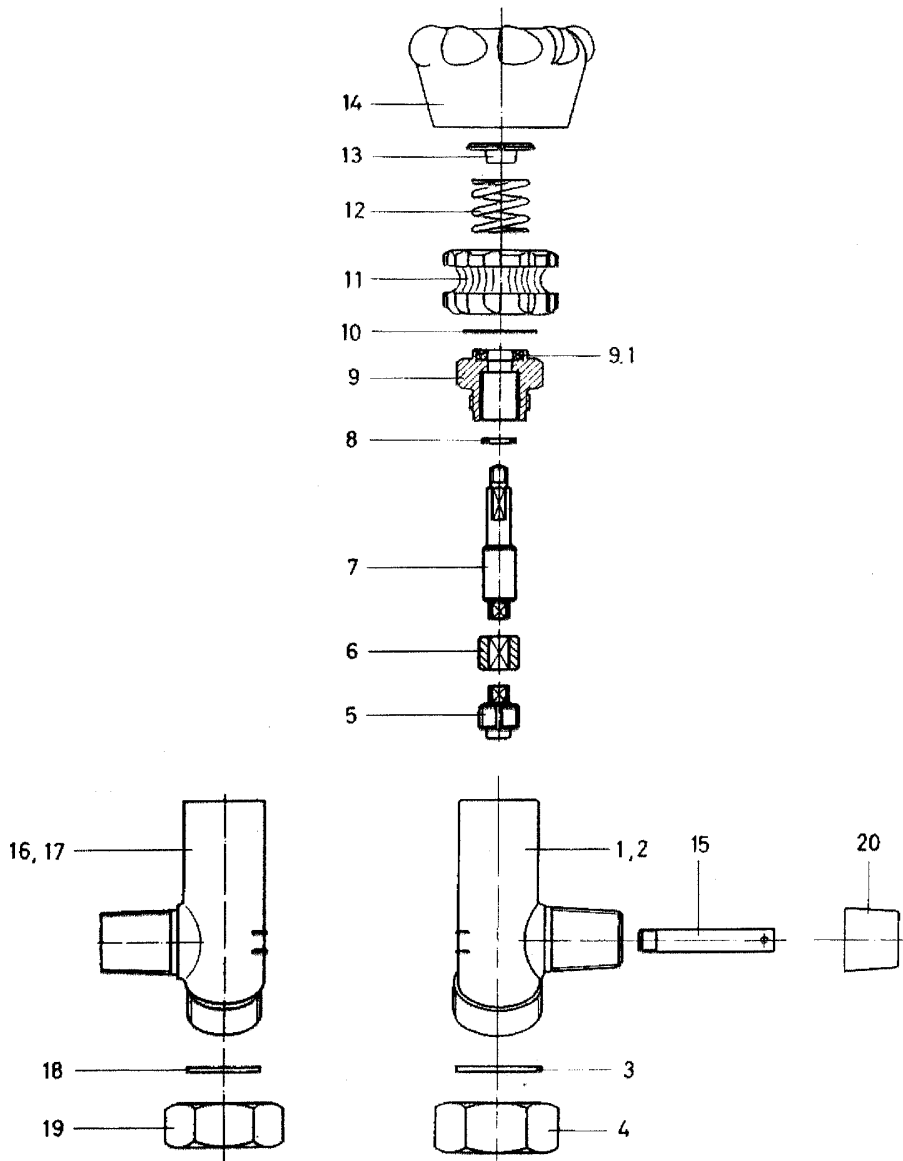
Spare Part List
Gas Cylinder Valves/non-magnet

Edition date
04.03.2004

Spare Part List
2216.221

V06185, V06190, V07585, V07590

Page: 2
Image: 1



Internal: Spare parts list for technician



Subject to change without

Spare Part List
Gas Cylinder Valves/non-magnet

Edition date
04.03.2004

Spare Part List
2216.221

V06185, V06190, V07585, V07590

Page: 3
Image: 1

POSITION	DESIGNATION	PART- NUMMER	ORDER CODE	PACK. QTY.
1,5-15,	CYLINDER VALVE GA FGT LEFT (O2/N2 W 21.8X1/14)		V06185	
5-16,18,	CYLINDER VALVE GA FGT RIGHT (O2/N2 W 21.8X1/14)		V06190	
1	VALVE HOUSING	V06186		
2	VENTILGEHAEUSE	V07586		
3+4	LOCK NUT, CPL.		V07588	
3	CF. GERMAN DESCRIPTION	V05512		
4	VERSCHLUSSMUTTER R3/4 IN	V07587		
5	LOWER SPINDLE		V06198	5
6	SOCKET NON-MAGNETIC		V06195	5
7	UPP. SPINDLE NON-MAGNETIC		V06194	5
8-10	REP.SET HEAD-SCREW, COMPL.		V07705	
8	SEALING RING		V03214	5
9	CF. GERMAN DESCRIPTION		V06193	
9.1	GROOVED RING		V05597	10
9.2	SLIDING COLLAR		V06196	10
10	SLIDING RING		V05598	20
11	HANDWHEEL	V06191		
12	CF. GERMAN DESCRIPTION	V06197		
13	SPRING NON-MAGNETIC	V06192		
14	PROTECTION CAP		R18458	5
15	WASSERSCHUTZROHR	V05516		
16	VALVE HOUSING	V06188		
17	VENTILGEHAEUSE	V07589		

Internal: Spare parts list for technician



Subject to change without

Spare Part List
Gas Cylinder Valves/non-magnet

Edition date
04.03.2004

Spare Part List
2216.221

V06185, V06190, V07585, V07590

Page: 4
Image: 1

POSITION	DESIGNATION	PART- NUMMER	ORDER CODE	PACK. QTY.
18+19	NUT COMPLETE	V05519		
18	DISC	V05513		
19	VERSCHLUSSMUTTER W21,8X1/14 IN	V05518		
20	SEALING CAPSULE		D04739	10