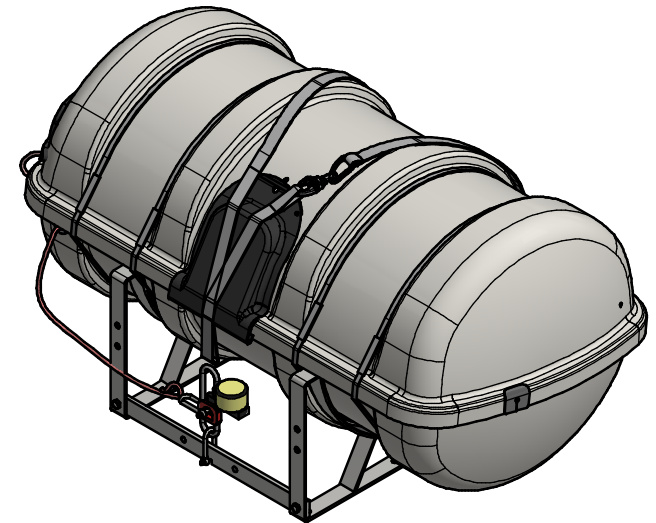
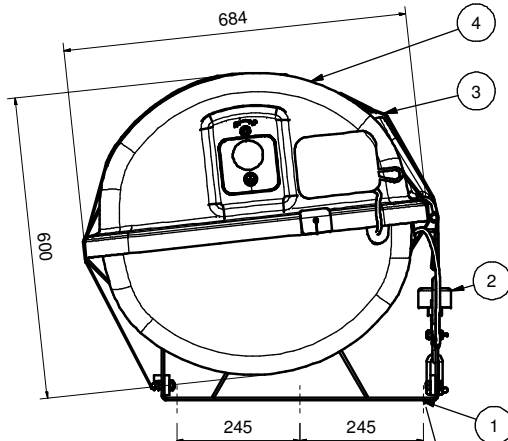
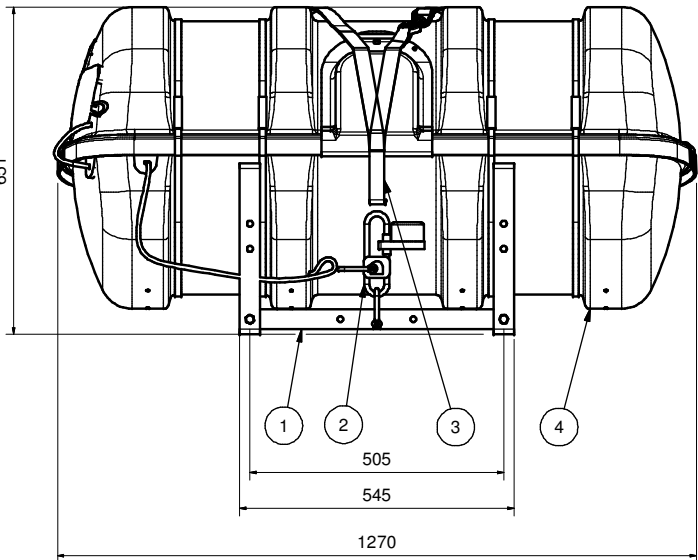
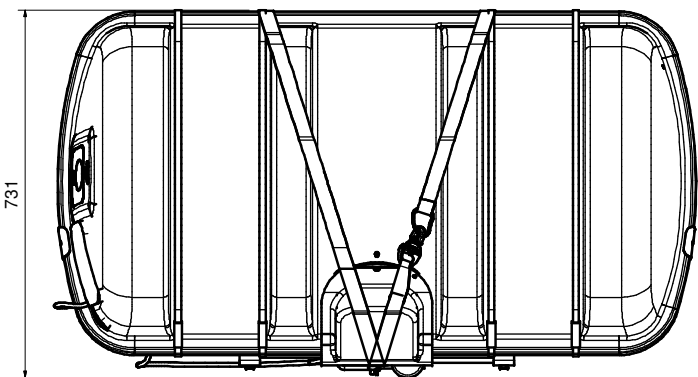


651




Hole 6xØ12mm, install on deck

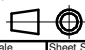


Parts List						
POS	QTY	DESCRIPTION	Mat. No.	Dwg. No.	MATERIAL	T. MASS
1	1	Cradle for 12 DKF rafts	1004360	ENG-20145915		9.5 kg
2	1	HRU Set Assembly				0.4 kg
3	1	Lashing 6900	1015866		Generic	0.3 kg
4	1	Container 016-6901 Complete	1072664	ENG-20151980		9.6 kg

REPLACES: 16012707

		VIKING Life-Saving Equipment A/S Sandling Ringvej 13 Tel: +45 7611 8100 DK-6710 Esbjerg V Fax: +45 7611 8101 Denmark Email: viking@viking-life.com	
Drawn by	Check by	Appr. by	Initial release date
PAPAV	MTBI	DW	10-01-2023

Project number	Project name	Client number

Title		Material Number
Container 016-6901 Sales Spec		1072664
12 DKF S12/S30		Weight 20 kg
		Projection method
		

Drawing type	Tolerances	Scale	Sheet Size
ASM	ISO 2768-mK, ISO 13920-BF	1:10	A3
Drawing Number	Revision	Sheet No.	Sheet No.
ENG-20151450	0	1/1	1/1