

1

2

3

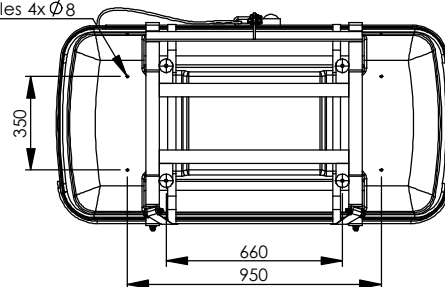
4

5

6

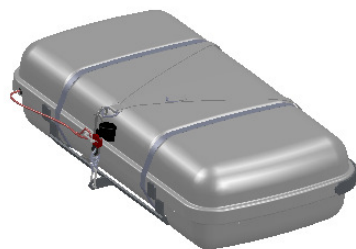
A

A

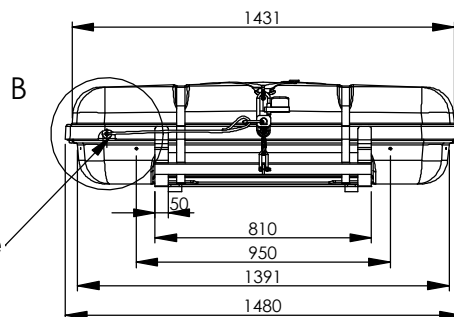
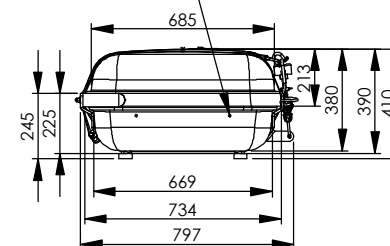
Bottom Drain holes 4x $\varnothing 8$ 

B

B

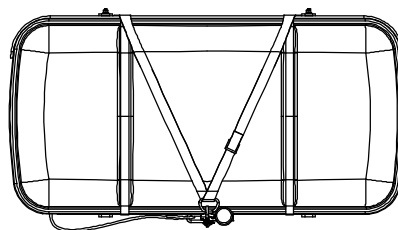


Painter line

Side Drain holes 2x $\varnothing 8$ all 4 sides

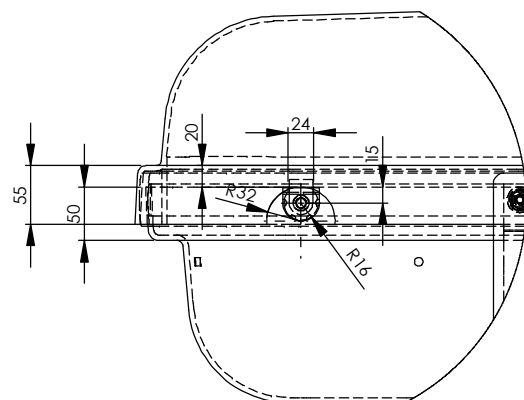
C

C



D

D

DETAIL B
SCALE 1 : 5

1051000	LASHING, F. CRADLE 016-9045 LP	1 set
1050998	VERTICAL CRADLE 9045, GALVANIZED	1 Pcs
Part	Description	Quantity

If the product is requested to be manufactured differently, this MUST be approved by VIKING LIFE-SAVING EQUIPMENT A/S and a specification of change must be filled in if the alteration is approved. Unless otherwise specified the product must always be clearly labelled with Viking part no., manufacturer ID and manufacturing year.					
MATERIAL NO: 1042293	Old DWG No: -	STATUS: FR	UNITS: mm/kg	WEIGHT: 66.437	CHECK DATE/INIT: 20161006/DW
BASIC MATERIAL:	SURFACE TREATMENT: -		SHEETSIZE: A3	SCALE: 1:10	SHEET NO.: 1/1 DRAWN DATE/INIT: 20161006/DW

	VIKING LIFE-SAVING EQUIPMENT A/S Sædding Ringvej 13, DK-6710 Esbjerg V Tel.: +45 7611 8100 Fax.: +45 7611 8101 E-mail: viking@viking-life.dk Web: www.VIKING-life.com	PROJEKTION TYPE FIRST ANGLE PROJECTION GENERAL TOLERANCE : -	DESCRIPTION : Container 016-9045, complete 50 DKR, 25 DK+ LOW PROFILE	
	Copyright of VIKING LIFE-SAVING EQUIPMENT DENMARK whose property this document remains. No part thereof may be disclosed, copied, duplicated or in any other way made use of except with the approval of VIKING LIFE-SAVING EQUIPMENT DENMARK.		CAD NO.: 14001681	Drawing NO.: 16004050

E

E

1

2

3

4

5

6