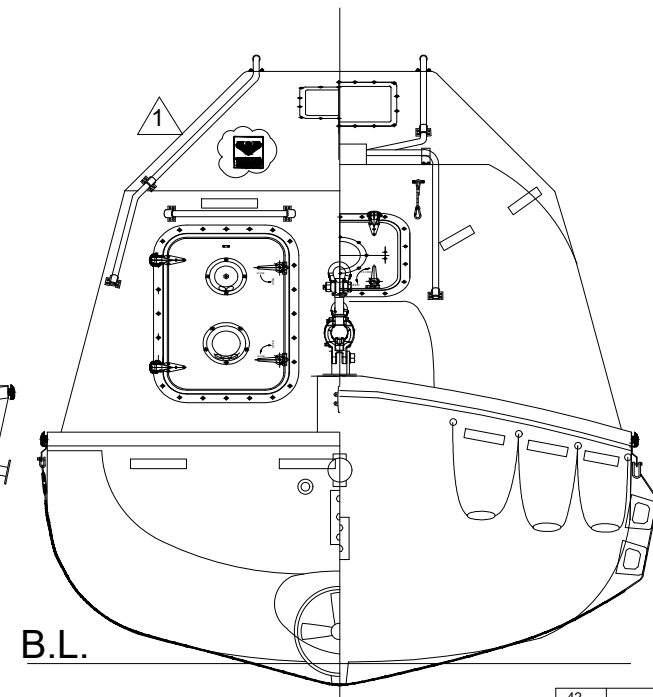


ELEVATION

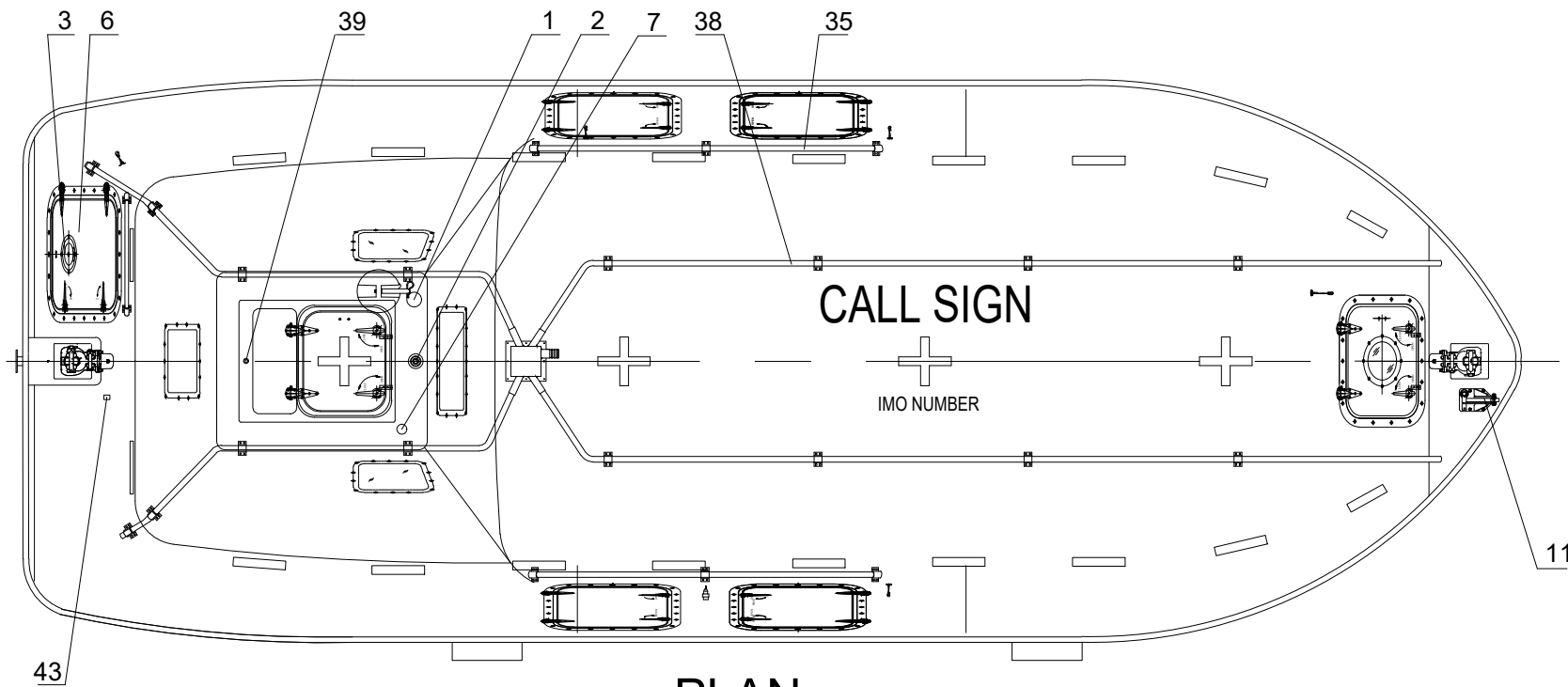


REAR/FRONT VIEW

MAIN PARTICULARS

LENGTH (MOULDED) 8.50M
 BREADTH (MOULDED) 3.15M
 DEPTH 1.25M
 TOTAL HEIGHT 3.30M
 HOOK DIST 8.00M
 HOOK TYPE DIB 75
 NO. OF PERSON 80P
 CRAFT WEIGHT 4765KG
 SPEED >6 KNOTS
 TOTAL WEIGHT 11200KG (82.5Kg/pers)
 ENGINE 380J-3
 SABB-L3
 BUKH RME-29DV
 BUKH BETA-EPA28
 YANMAR-3JH30A
 VETUS-M4.15

NO.	REF.DWG.NO	DESCRIPTION	QTY.	REMARKS
42		EQUIPMENT SHELF	2	F.R.P.
41		WATER SENSOR UNIT	1	
40		EMERGENCY RELEASE VALVE	1	
39		RAIN COLLECTION	1	BRASS
38		SPRINKLE OUTLET/ PIPING	1 LOT	SEA WATER RESISTANT ALUM.
37		EMERGENCY STEERING HANDLE	1	HOT DIPPED GALVANIZED STEEL
36		SKATE	2	RUBBER & ALUM. PLATE
35		RAIL	2	SEA WATER RESISTANT ALUM.
34		FOOD COMPARTMENT	1	F.R.P.
33		OAR/BOAT HOOK	2	WOOD/PLASTIC
32		WATER COMPARTMENT	3	F.R.P. WATER TIGHT
31		STEERING GEAR	1	
30		ENGINE & PROPELLER SHAFT	1	
29		STEERING NOZZLE & PROPELLER	1	F.R.P. / NiMn-Bronze Cu3-Cu4
28		BATTERIES	2	70AH
27		AXE	2	
26		PILLAR	2	F.R.P.
25		SPRINKLE PUMP	1	90-80CBPJ
24		DRAIN PLUG	1	BRASS
23		MANUAL PUMP	1	
22		FIRE EXTINGUISHER	1	
21		FUEL TANK	1	SEA WATER RESISTANT ALUM.
20		AIR CYLINDER	3	
19		SAFETY BELT	1/PERS	
18		EQUIPMENT COMPARTMENT	1	
17		DOOR LATCH	1 LOT	SS316 & PVC SHIELD WIRE ROPE
16		BACK REST	1	PLYWOOD (18MM THK.x400MM H.)
15		CONTROL PANEL	1	
14		SEARCH LIGHT	1	
13		INT. LIGHT	2	
12		HELM'S CHAIR	1	F.R.P.
11		PAINTER HOOK	1	HOT DIPPED GALVANIZED STEEL
10		GRIPING BOBBIN	2	HOT DIPPED GALVANIZED STEEL
9		HOOKS DEVICE ARRANGEMENT	2	DIB 75
8		LIFE LINE	2	PVC SHIELD WIRE ROPE
7		REMOTE CONTROL LINE HOLE	1	
6		DOOR, WINDOW & HATCH	1 LOT	
5		BOLLARD	1	SS 316
4		REFLECT LIGHT STRIP	1 LOT	
3		VENTILATOR	2	
2		POSITION LIGHT	1	
1		RADAR REFLECTOR	1	



PLAN

Due to manufacturing reasons
 dimensions may vary up to 50mm
 Port side shown, Starboard side is
 Mirrored

49		OPERATION PANEL	1	
48		HYDRAULIC PUMP OR TANK	1	
47		ACCUMULATOR	1	
46		PILOT CONTROLLED VALVE	1	
45		FENDER	1	PVC
44		PLUG FOR BATTERY CHARGER	1	IP67
43		VENT FOR BATTERIES	1	SS316 & PVC HOSE

REV	DESCRIPTION	BY	CHECK	APPRO	DATE
1	USE NEW TEMPLATE	KARL	PHLI	THWA	01.07.2019

REVISION HISTORY

VIKING NORSAFE
 VIKING NORSAFE
 LIFE-SAVING EQUIPMENT

VIKING Norsafe Life-Saving Equipment Norway AS
 P.O. Box 115 Tel: +47 37 05 85 00
 4852 Færvik Fax: +47 37 05 85 01
 NORWAY 24/7 Service: +47 37 05 63 33
 Email: Viking-Norsafe@viking-life.com

Drawn by KARL Check by PHLI Appr. by THWA Initial release date 20.03.2019

Project number Standard Project name Client number

Title **EXTERNAL ARRANGEMENT** Material Number

DIB 75 Weight

JYN-85T Projection method

Drawing type GA Tolerances ISO 2768-mK, ISO 13920-BF Scale 1:30 Sheet Size A3

Drawing Number G-503267 Revision 1 Sheet No. 1/1