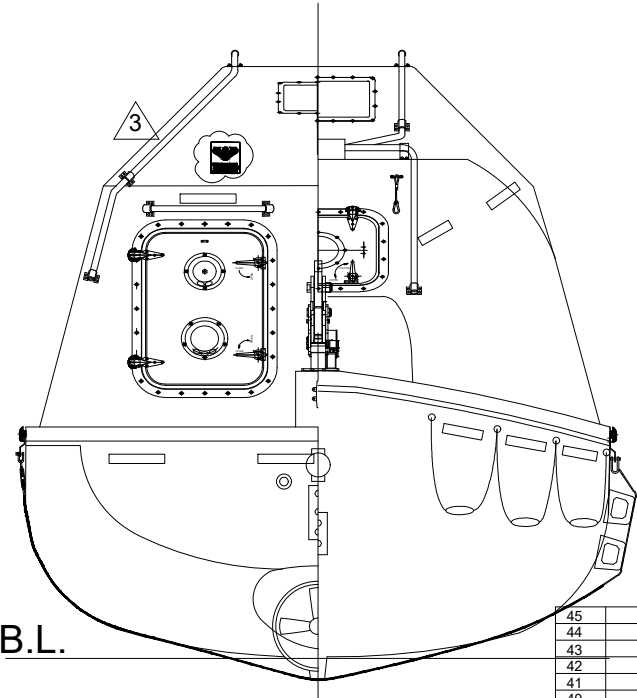
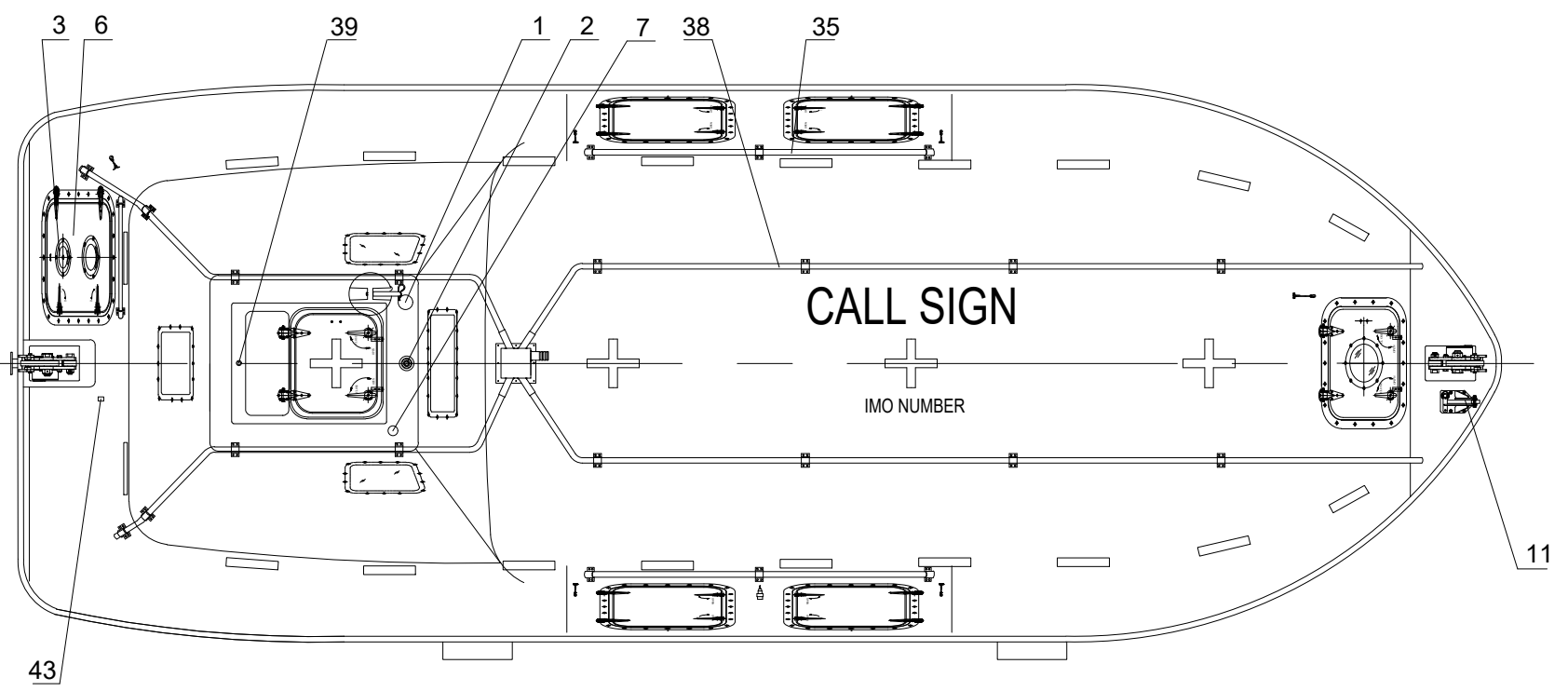


ELEVATION



REAR/FRONT VIEW



PLAN

MAIN PARTICULARS

LENGTH (MOULDED)	8.50M
BREADTH (MOULDED)	3.15M
DEPTH	1.25M
TOTAL HEIGHT	3.30M
HOOK DIST	8.00M
HOOK TYPE	TOR MK2-S,9T
NO. OF PERSON	80P
CRAFT WEIGHT	4600KG
SPEED	>6 KNOTS
TOTAL WEIGHT	11200KG (82.5Kg/pers)
ENGINE	380J-3 SABB-L3 BUKH RME-29DV BUKH BETA-EPA28 YANMAR-3JH30A VETUS-M4.15

NO.	REF.DWG.NO.	DESCRIPTION	QTY.	REMARKS
45		BRACKET FOR RELEASE CONTROL BOX	1	AISI 316L
44		PLUG FOR BATTERY CHARGER	1	IP67
43		VENT FOR BATTERIES	1	SS316 & PVC HOSE
42		EQUIPMENT SHELF	2	F.R.P.
41		HYDROSTATIC UNIT	1	
40		RELEASE CONTROL BOX	1	AISI 316
39		RAIN COLLECTION	1	BRASS
38		SPRINKLE OUTLET/ PIPING	1 LOT	SEA WATER RESISTANT ALUM.
37		EMERGENCY STEERING HANDLE	1	HOT DIPPED GALVANIZED STEEL
36		SKATE	2	RUBBER & ALUM. PLATE
35		RAIL	2	SEA WATER RESISTANT ALUM.
34		FOOD COMPARTMENT	1	F.R.P.
33		OAR/BOAT HOOK	2	WOOD/PLASTIC
32		WATER COMPARTMENT	3	F.R.P. WATER TIGHT
31		STEERING GEAR	1	
30		ENGINE & PROPELLER SHAFT	1	
29		STEERING NOZZLE & PROPELLER	1	F.R.P. / NiMn-Bronze Cu3-Cu4
28		BATTERIES	2	70AH
27		AXE	2	
26		PILLAR	1	F.R.P.
25		SPRINKLE PUMP	1	90-80CBPJ
24		DRAIN PLUG	1	BRASS
23		MANUAL PUMP	1	
22		FIRE EXTINGUISHER	1	
21		FUEL TANK	1	SEA WATER RESISTANT ALUM.
20		AIR CYLINDER	3	
19		SAFETY BELT	1/PERS	
18		EQUIPMENT COMPARTMENT	1	
17		DOOR LATCH	1 LOT	SS316 & PVC SHIELD WIRE ROPE
16		BACK REST	1	PLYWOOD (18MM THK.x400MM H.)
15		CONTROL PANEL	1	
14		SEARCH LIGHT	1	
13		INT. LIGHT	2	
12		HELMS CHAIR	1	F.R.P.
11		PAINTER HOOK	1	HOT DIPPED GALVANIZED STEEL
10		GRIPING BOBBIN	2	HOT DIPPED GALVANIZED STEEL
9		HOOKS DEVICE ARRANGEMENT	2	TOR MK2-S,9T
8		LIFE LINE	2	PVC SHIELD WIRE ROPE
7		REMOTÉ CONTROL LINE HOLE	1	
6		DOOR, WINDOW & HATCH	1 LOT	
5		BOLLARD	1	SS 316
4		REFLECT LIGHT STRIP	1 LOT	
3		VENTILATOR	2	
2		POSITION LIGHT	1	
1		RADAR REFLECTOR	1	

REV	DESCRIPTION	BY	CHECK	APPRO	DATE
3	USE NEW TEMPLATE	KARL	PHLI	THWA	18.06.2019
2	ADD VETUS M4.15 ENGINE TYPE	SATA	VX	THWA	03.07.2018
1	MODIFY REFLECT LIGHT STRIP	SATA	VX	THWA	26.08.2015

REVISION HISTORY



VIKING NORSAFE

VIKING Norsafe Life-Saving Equipment Norway AS
 P.O Box 115 Tel: +47 37 05 85 00
 4852 Færvik Fax: +47 37 05 85 01
 NORWAY 24/7 Service: +47 37 05 63 33
 Email: Viking-Norsafe@viking-life.com

Project number Standard	Project name	Client number	
Title	Material Number		
EXTERNAL ARRANGEMENT			
TOR MK2-S 9T			
JYN-85T			
Drawing type GA	Tolerances ISO 2768-mK, ISO 13920-BF	Scale 1:30	Sheet Size A3
Drawing Number G-500922	Revision 3	Initial release date 09.07.2015	Sheet No. 1/1

Due to manufacturing reasons
 dimensions may vary up to 50mm
 Port side shown, Starboard side is
 Mirrored