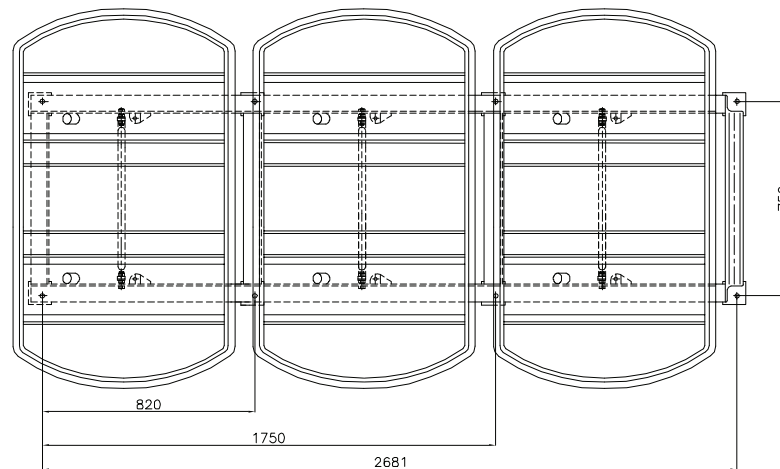
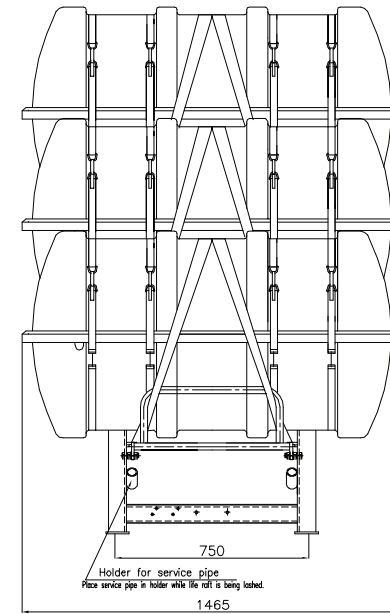
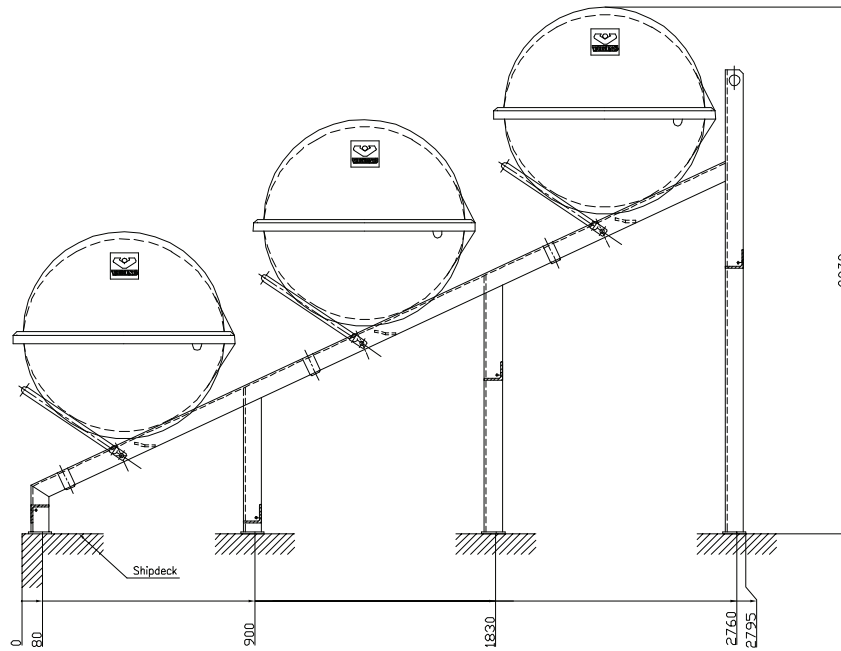


First angle projection



016-5400	DK 35 B	
016-5702	DK 35 A	1014459
016-5701	DKR 100	1014459
016-5701	DKS 50	1014459
016-5700	DKR 2X50	1014459
016-0181	DKS 50	1014459
016-0152	DKS 50	1014459
016-0139	DKS 50	1014459
Container Part no.:	Description:	Lashing:

Part No. 1027658 (Sa+Pr)
Part No. 1057024 (Galv)

1	Ramp	1	836-358-1
1	Object	Mrk.	Material/Certf.
Copyright of VIKING LIFE-SAVING EQUIPMENT, DENMARK, whose property this document remains. No part thereof may be disclosed, copied, duplicated or in any other way made use of, except with the approval of VIKING LIFE-SAVING EQUIPMENT, DENMARK.			
		P.O. Box 3860 6710 Esbjerg V Denmark	Scale: 100 Dim. in: mm Drawn: 30/05/06 MS Check: 30/05/06 GA
General arrangement for ramp 3 pcs. liferaft containers			Drawing no.: 836-334-1
Issue/Rev. no.	DATE:	CHECK:	CAD No.: 8363341