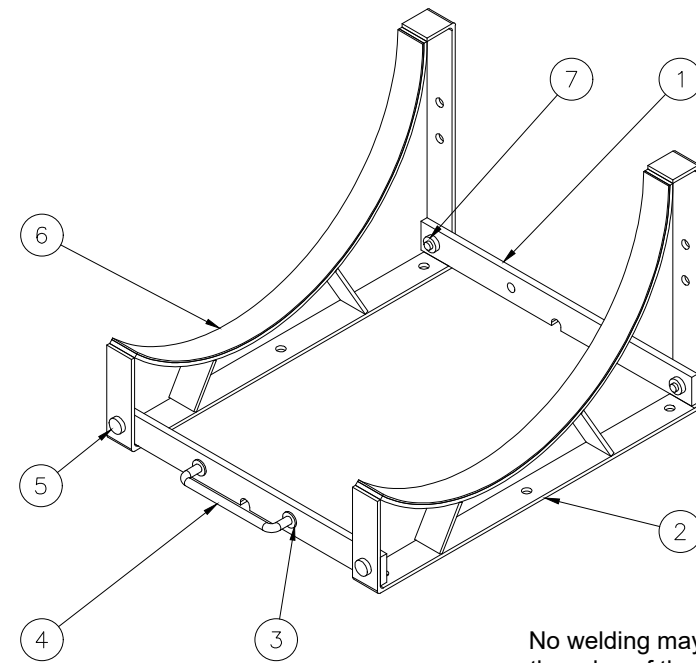
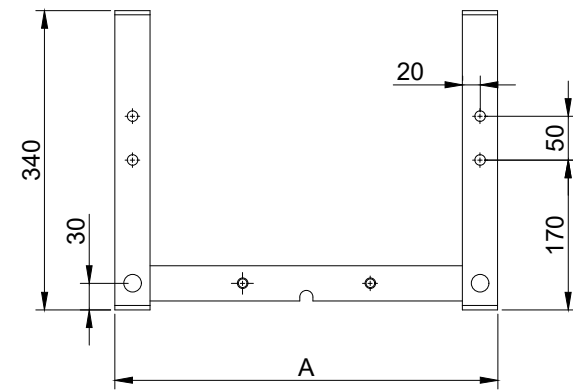
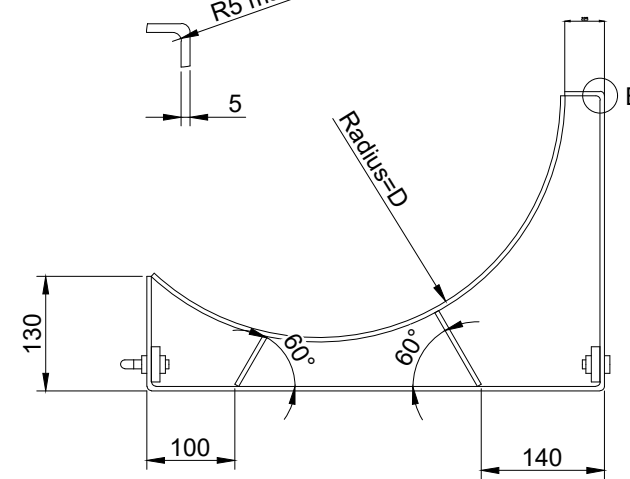
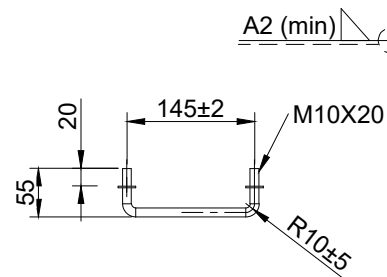
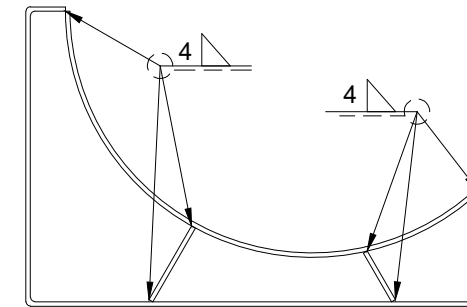


DETAIL B
SCALE 1 : 2



No welding may exceed the edge of the sides



The thread must be made after the handle is hot galvanized. Spray zinc on the surface of the thread to cold galvanize it. By this operation corrosion is avoided. After the zinc layer is dry, it must be possible to screw on an M 10 nut by hand power

Steel Washer ISO 7089 - Ø20, ø10,5

All holes Ø 12
Measures without tolerance. + -3 mm
material: S235JR - EN 10025 / SS400 - TIS 1479
Surface: Hot galvanized class A JF. DS / ISO 1461
Sharp edges chamfered

POS	QTY	DESCRIPTION	MATERIAL NO.
7	6	M10 nut KV. 8 hot galvanized	1015305
6	-	Cell rubber 2 x 40 mm	1000108
5	4	M10 X 25 Set screw KV. 8.8 hot galv.	1013853
4	-	Rundsteel Ø10	-
3	2	Washer	-
2	-	Flat steel 5 x 40 mm	-
1	-	Flat steel 10 x 40 mm	-

PARTLIST

REPLACES: 42000851

	VIKING Life-Saving Equipment A/S Sædding Ringvej 13 Tel: +45 7611 8100 DK-6710 Esbjerg V Fax: +45 7611 8101 Denmark Email: viking@viking-life.com		
	Drawn by NNON	Check by TCHR	Appr. by EB

Project number	Project name	Client number
----------------	--------------	---------------

Title	Material Number
Cradle for DK raft	1014758, 1015846, 1015847, 1015848, 1017688, 1052820, 1097253
Weight	N/A
Projection method	

Drawing type	Tolerances	Scale	Sheet Size
ASM		1:8	A3
Drawing Number	Revision	0	Sheet No. 1/1
ENG-20101434			

Rack part no.	Cont. type	A	B	C	D
1015846	4 - 6 - 8 DK	435	520	230	275
1015847	10 - 12 - 16 DK	500	550	245	310
1014758	20 - 25 DK	545	620	280	360
1017688	IMPAX con.	650	620	280	360

