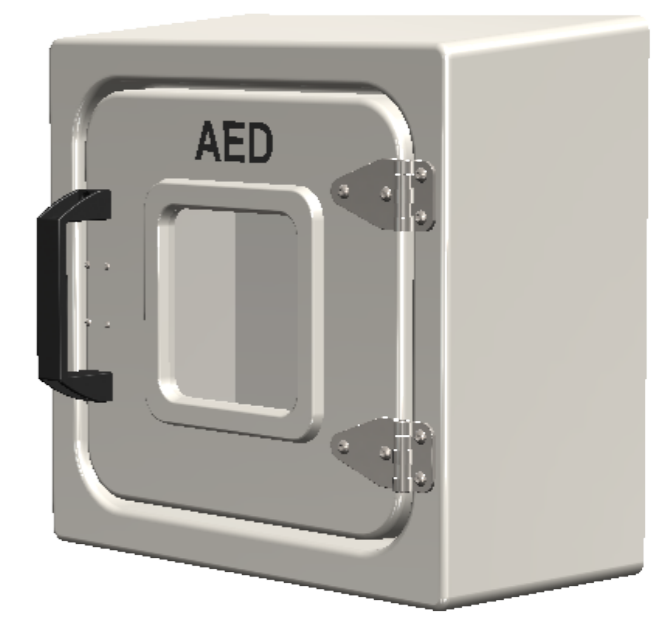
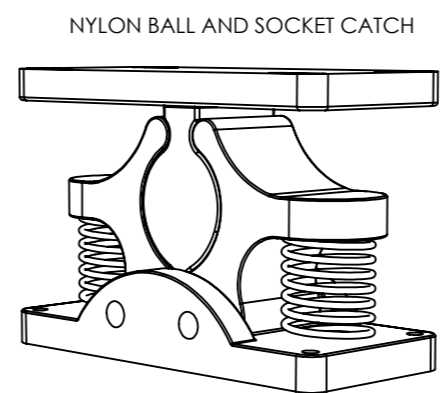
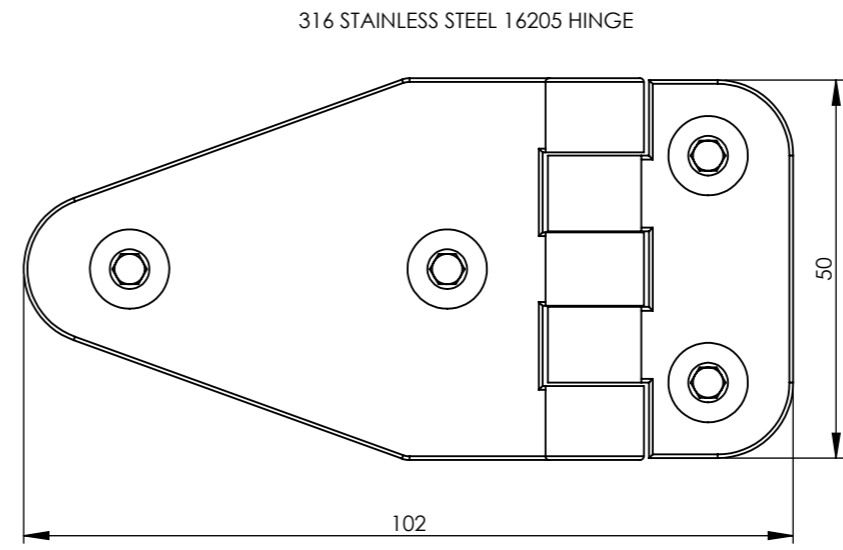
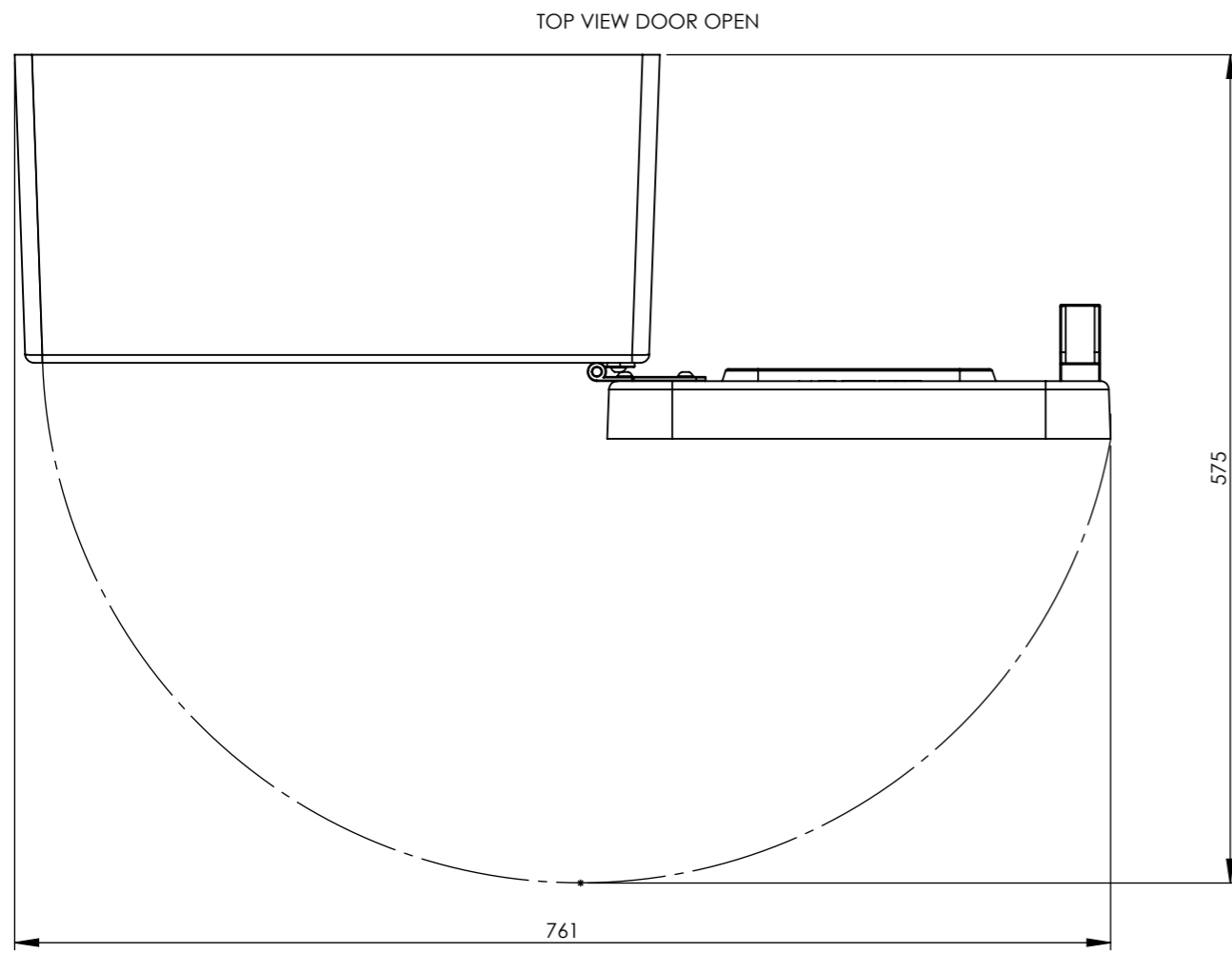


SPECIFICATION	
MATERIAL	3-4MM GRP
FIXING POINTS	4 x 100MM <sup>2</sup> PADS
IP RATING	IP56
SEAL	EPDM
HINGES	316 STAINLESS STEEL 16205
DOOR CATCH	NYLON BALL AND SOCKET
DOOR HANDLE	POLYMIDE HANDLE
COLOUR	WHITE RAL9010
LETTERING	"AED"
LETTERING SIZE AND COLOUR	30MM BLACK



190 X 190 PERSPEX WINDOW (INC. BEZEL)



M:\Cabinet CAD New\Cabinets\JB01-JB10\JB04\JB04AED\

	NAME	DATE
DRAWN	TW	16/03/2018
CHK'D	XX	16/03/2018
APPV'D	XX	16/03/2018
MFG	XX	16/03/2018
Q.A	XX	16/03/2018

MODEL: JB04 AED	DO NOT SCALE DRAWING	REVISION A
UNLESS OTHERWISE SPECIFIED DIMENSIONS ARE IN MILLIMETERS		TOLERANCE 5% +/-
	FACTORY LANE, BASON BRIDGE, HIGHBRIDGE, SOMERSET, TA9 4RN, UK	CABINET DETAILS: 422H x 448W x 214D DOOR APERTURE: 255H x 255W INTERNAL DEPTH: 160 WEIGHT: 6KG
	JOBIRD.CO.UK INFO@JOBIRD.CO.UK +44 (0)1278 785546	QUOTE REFERENCE: JRBQXXXXX CUSTOMER: XXXXX
SCALE 1:5		SHEET 1 of 1