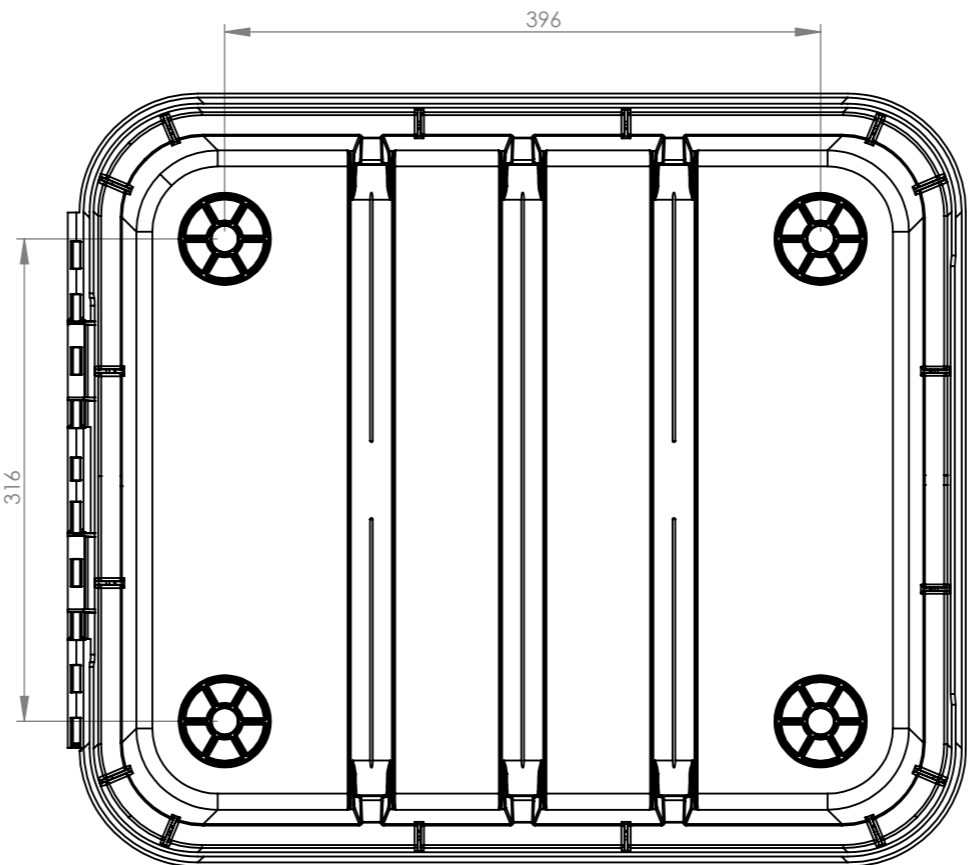
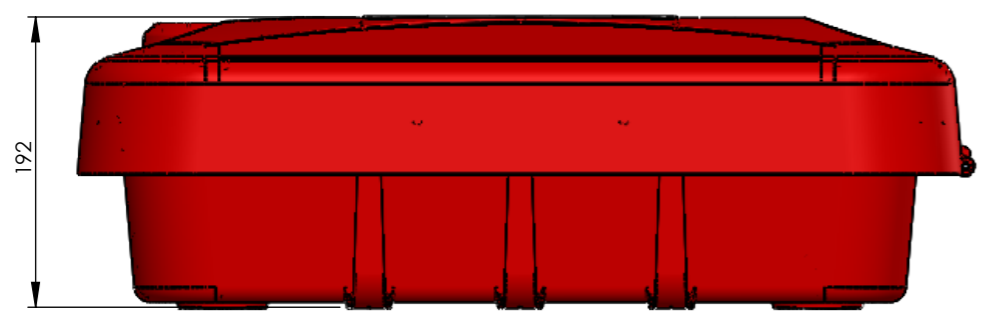
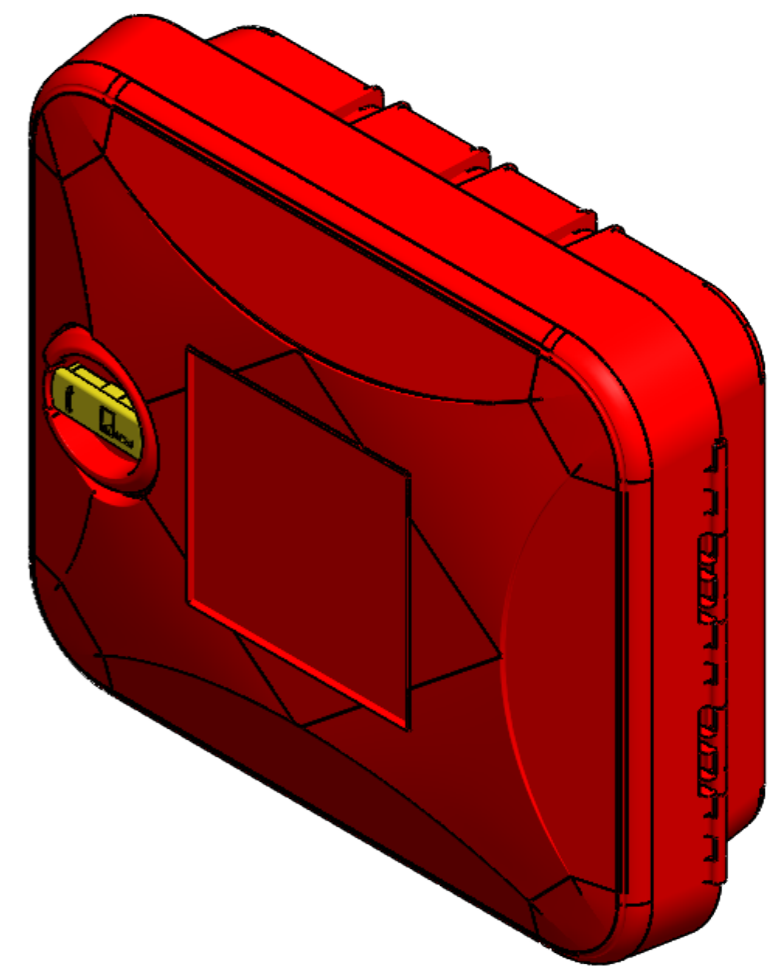


SECTION B-B



| SPECIFICATION | |
|---------------------------|---------------------------|
| MATERIAL | ASA |
| FIXING POINTS | |
| IP RATING | |
| SEAL | EPDM |
| HINGES | 316 STAINLESS STEEL |
| DOOR CATCH | |
| DOOR HANDLE | NYLON/316 STAINLESS STEEL |
| COLOUR | |
| LETTERING | |
| LETTERING SIZE AND COLOUR | |

All The information hereon is the property of Jo Bird & Co Ltd. Copying, transmittal to others or publication is prohibited.

| | | |
|--|----------------------|-------------------|
| MODEL: SOS300 | DO NOT SCALE DRAWING | REVISION A |
| UNLESS OTHERWISE SPECIFIED DIMENSIONS ARE IN MILLIMETERS | | TOLERANCE +/- 1mm |

| | NAME | DATE |
|--------|------|------------|
| DRAWN | LS | 16/07/2020 |
| CHK'D | | 16/07/2020 |
| APPV'D | | 16/07/2020 |
| MFG | | 16/07/2020 |
| Q.A | | 16/07/2020 |

 **Jo Bird**
 FACTORY LANE, BASON BRIDGE, HIGHBRIDGE, SOMERSET, TA9 4RN, UK
 JOBIRD.CO.UK
 INFO@JOBIRD.CO.UK
 +44 (0)1278 785546

CABINET DETAILS:
 510H x 560W x 192D
 INTERNAL DEPTH: 140
 WEIGHT: 5KG
 QUOTE REFERENCE: JRBO
 CUSTOMER:
 SCALE 1:5 SHEET 1 of 1