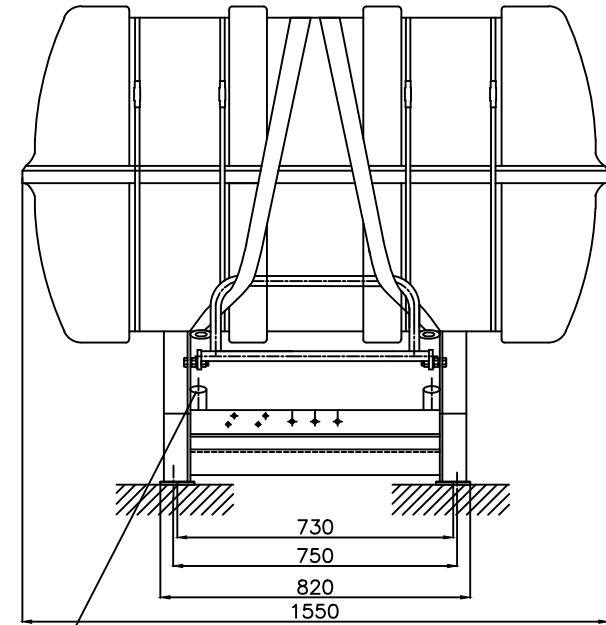
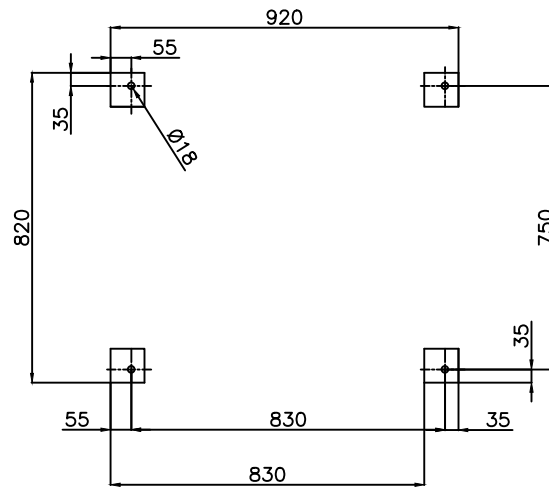
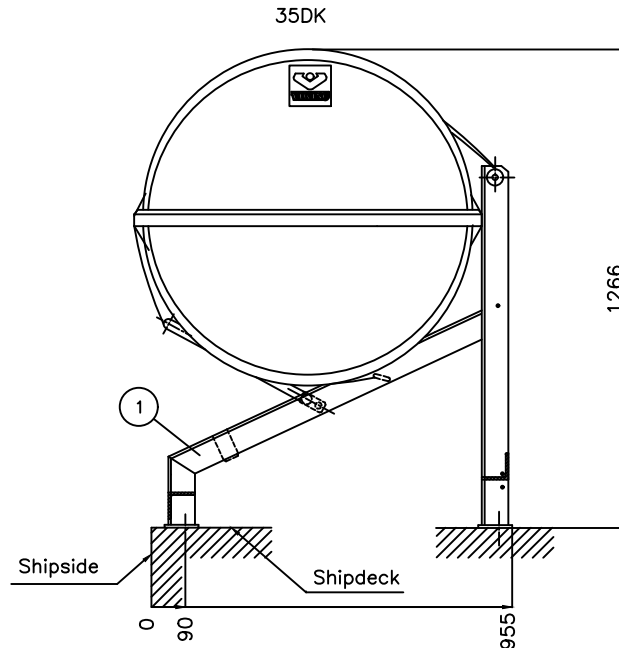
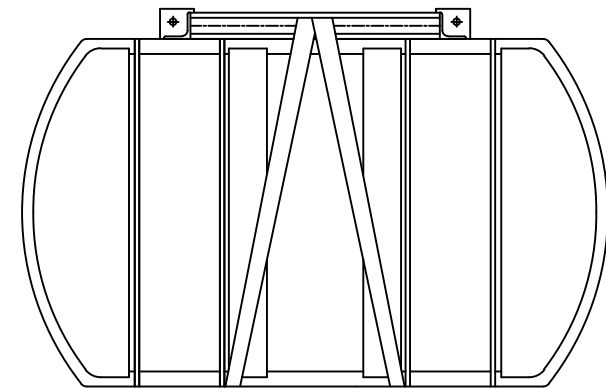


First angle projection



Holder for service pipe

Place service pipe in holder while life raft is being lashed.





016-0181	DKS 50 "B"	1003994	1057481
016-0139	DKS 50 "B"	1003994	1057481
016-0129	DKR (2X50)	-	-
016-8701	DKS 50 "B"	1003994	1057481
016-8601	DKS 25 A+B	1021509	-
016-8401	DKF 35 "A"	1036173	1057674
016-8300	DKFS 39 "A"	1036173	1057674
016-8300	DKF 35 "A"	1036173	1057674
016-8200	DKF 35 "B"	1036173	1057674
016-5702	DK 35 "A"	1003994	1057481
016-5701	DKS 50 "B"	1003994	1057481
016-5700	DKR 100	1003994	1057481
016-5700	IBA 100	1003994	1057481
016-5200	DK 25 "A"	1004208	-
016-5200	DKR 50	1004208	-
016-5200	IBA 50	1004208	-
Container Part no.:	Description:	Lashing arr.	Coml. Galv. Rack w. Lashing

Measure are for guidance only

In case VIKING does not manufacture the cradle, VIKING will not be held responsible for construction, dimensioning and choice of material for the rack. .x= Last issue

Weight: 55 Kg  
Part no.: 1057481

2	Lashing arrangement DK+/DKF	1	See Table	
1	Rack 0526077G	1	1015750	836-071.x-2
Mrk. no.	Object	Piece	Part no.	Draw. no.
	Copyright of VIKING LIFE-SAVING EQUIPMENT, DENMARK, whose property this document remains. No part thereof may be disclosed, copied, duplicated or in any other way made use of. Except with the approval of VIKING LIFE-SAVING EQUIPMENT, DENMARK.			
			P. O. Box 3060 6710 Esbjerg V Denmark	Scale: Dim. in: Drawn.: 1:10 mm 12.06.14 DW Check.: 12.06.14 PSOM
	General arrangement for rack 1 pcs. life raft complete w. lashing			Drawing no.: 42003743
Issue/ref. no	Date:	Check.:	This drawing is also in Danish CAD Nr.: 42003743	