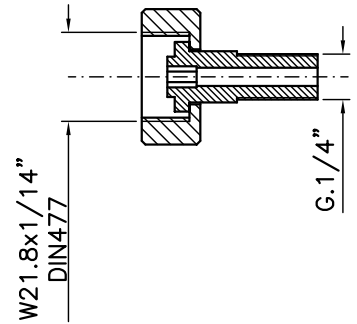
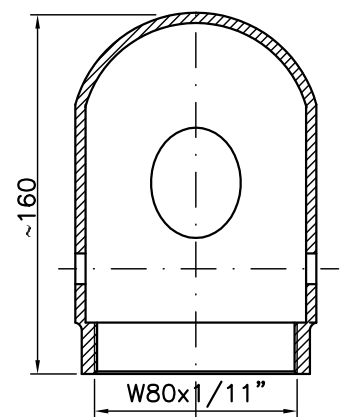


ON REQUEST  
Code 20007



Protection cap included  
in the supplier  
Code 41065



Code	Capacity ~[L]	Height cyl. ~"B" [mm]	Tot. height ~"A" [mm]	Diameter ~"Ø" [mm]	Cylinder Charge [kg] +0% - 5%	Suitable for
41199	3	470	570	104	2	P50 - S100
41199_1					1.3	P25 - S50
41219	5.4	500	600	136	3.2	S150
41236					4	P100

Legend:  
P = Powder  
S = Foam

2	Handwheel valve / Valvola a volantino	Ottone/Brass	21802	1
1	CO2 Cylinder / Bombola CO2	34CrMo4	20211 or 20105	1
Pos/Pos	Descrizione/Description	Materiale/Material	Codice/Code	Q.tà/Q.ty
h	TITOLO	Peso-Weight	Materiale-Material	Escala
a	Assemble External Carbon	- kg		Sheet
f	Dioxide Cartridge			1/1
e	Assieme bombola propellente			0
d				
c				
b				
a				
Disegnato da / Draftsman Controllato da / Checked by Approvato da / Approval by <b>LAMPERTIA</b>		N. Dis. / No. Draw <b>41119</b>		Data / Date <b>20.04.09</b>
MODIFICATION DATE Draft		Scale / Scale <b>1:2</b>		