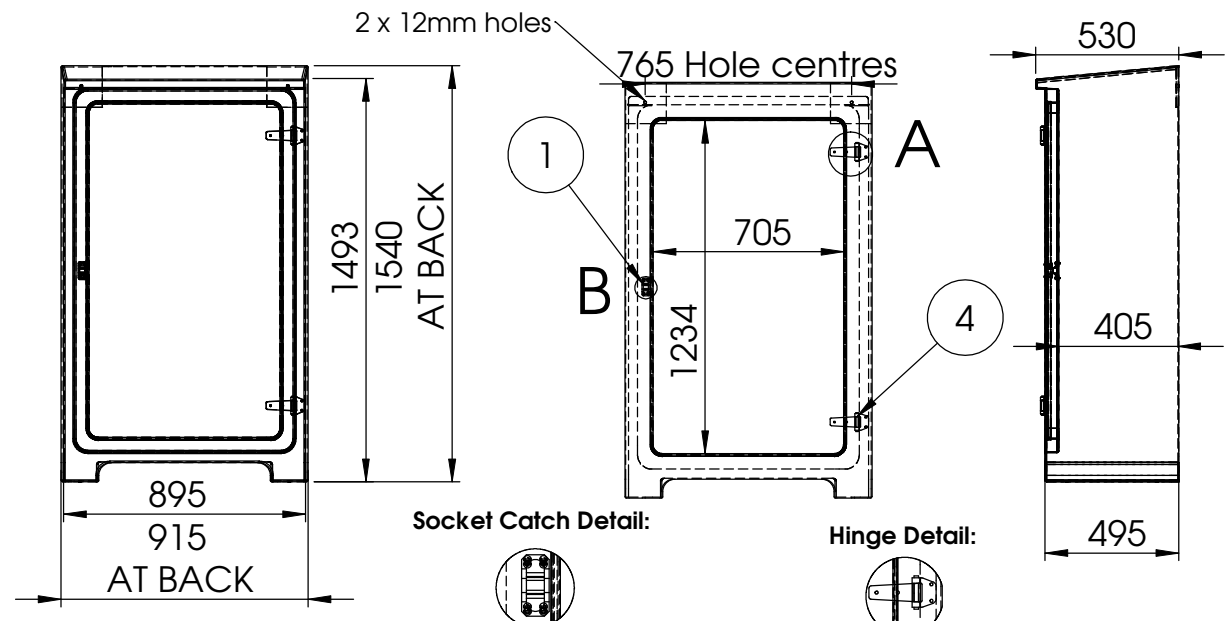


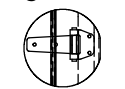
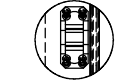
SPECIFICATIONS

Colour	TBC
Material	GRP 3-4mm nominal thickness
Resin	GP
Glass	2 x 600g
Reinforcement	2 x 150mm pads
Door Catch	S.S & Nylon Jaw Action
Seal	EPDM
Hinges	316 ST/STEEL HINGES
Door Handle	Recessed Nylon Rod
Door Lettering	TBC
Weight Full	TBC
Weight Empty	33 Kg
Tag Marking	TBC
IP Rating	IP56



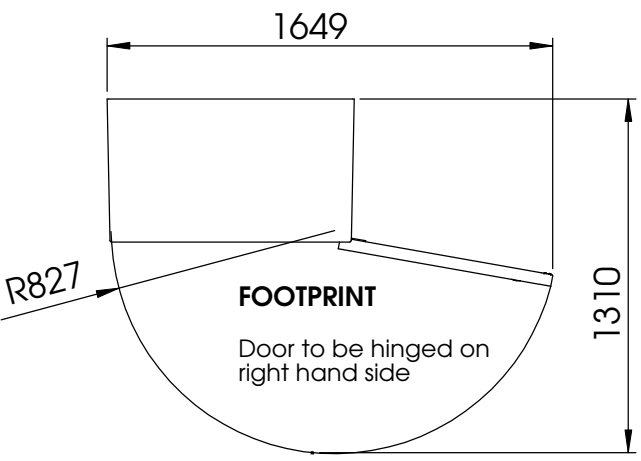
Socket Catch Detail:

Hinge Detail:

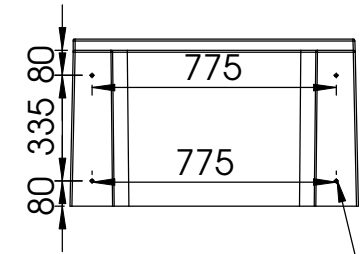


DETAIL B
SCALE 1 : 8

DETAIL A
SCALE 1 : 16



*Please note these are only suggested fixing holes. We recommend fixing holes are drilled on site



4 x 12mm holes in base



NUMBER	AMOUNT	DESCRIPTION	MATERIAL
1	1	CATCH	NYLON SOCKET CATCH
2	1	JB08 CABINET	GRP
3	1	HANDLE	NYLON ROD
4	2	HINGES	316 ST/STEEL

Tolerance + or - 3mm

02/12/2013

				<p>Jo Bird & Company Ltd Factory Lane, Bason Bridge Highbridge, Somerset, TA9 4RN United Kingdom Tel: +44 (0) 1278 785546 Fax: +44 (0) 1278 780541</p>	DESCRIPTION: JB08 1540Hx915Wx530D Door Aperture 1234Hx705W		CLIENT: Viking	
ALL DIMENSIONS ARE IN MILLIMETRES. DO NOT SCALE THIS DRAWING.					DRAWN: PM CHECKED: DW APPROVED:		NAME: PM DATE: 12/11/11	
JO BIRD & COMPANY LTD HOLD THE COPYRIGHT OF THIS DOCUMENT. CONSENT IS REQUIRED FROM THIS COMPANY TO COPY THIS DOCUMENT.					DRAWING No. JB08		SIZE A4	ISSUE A
No. DESCRIPTION DATE DRN. ALTERATIONS				Weight: 33 SCALE: 1:20 SHEET 1 OF 1				