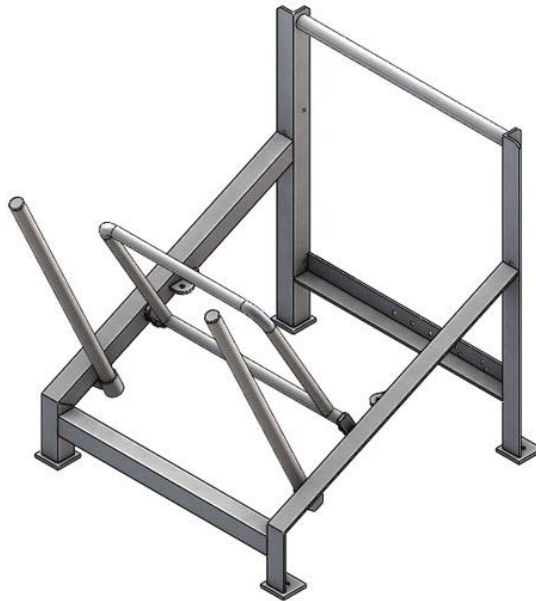




White painted single sliding rack for 10-25DK+, 12-25DKF+, 25-50DKR & 25-50IBA

Material no.: 1015200



A rack designed to ensure that the liferaft will immediately drop into the water without assistance. For throw overboard liferafts weighting more than 185 kg sliding ramps are mandatory, in accordance with the SOLAS convention chapter III regulation 16. Pre-drilled foundation holes have a diameter of Ø14.

Sliding rack fits the following liferaft sizes:

- 10DK+
- 12DK+
- 16DK+
- 20DK+
- 25DK+
- 12DKF+
- 16DKF+
- 20DKF+
- 25DKF+
- 25DKR
- 50DKR
- 25IBA
- 50IBA

Material:	Black steel (S235JR/EN10025/SS400/TIS1479)
Dimensions:	H 84.000 x L 79.000 x W 76.000 cm
Weight:	35 kg
Surface treatment:	Painted white RAL 9010
Welding:	According to DS/EN 5817 class C
Lashing for fixing of liferaft:	Not included (lashing item number: 1004208 for 10-25DK+, 25-50DKR & 25-50IBA) (lashing item number: 1055798 for 12-25DKF+)