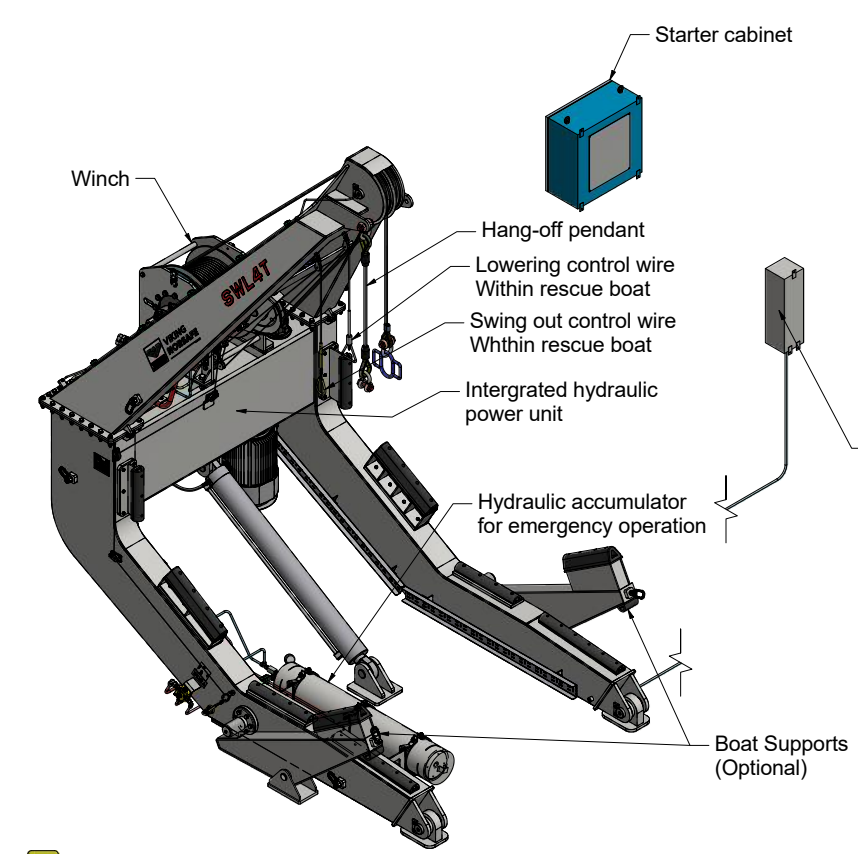
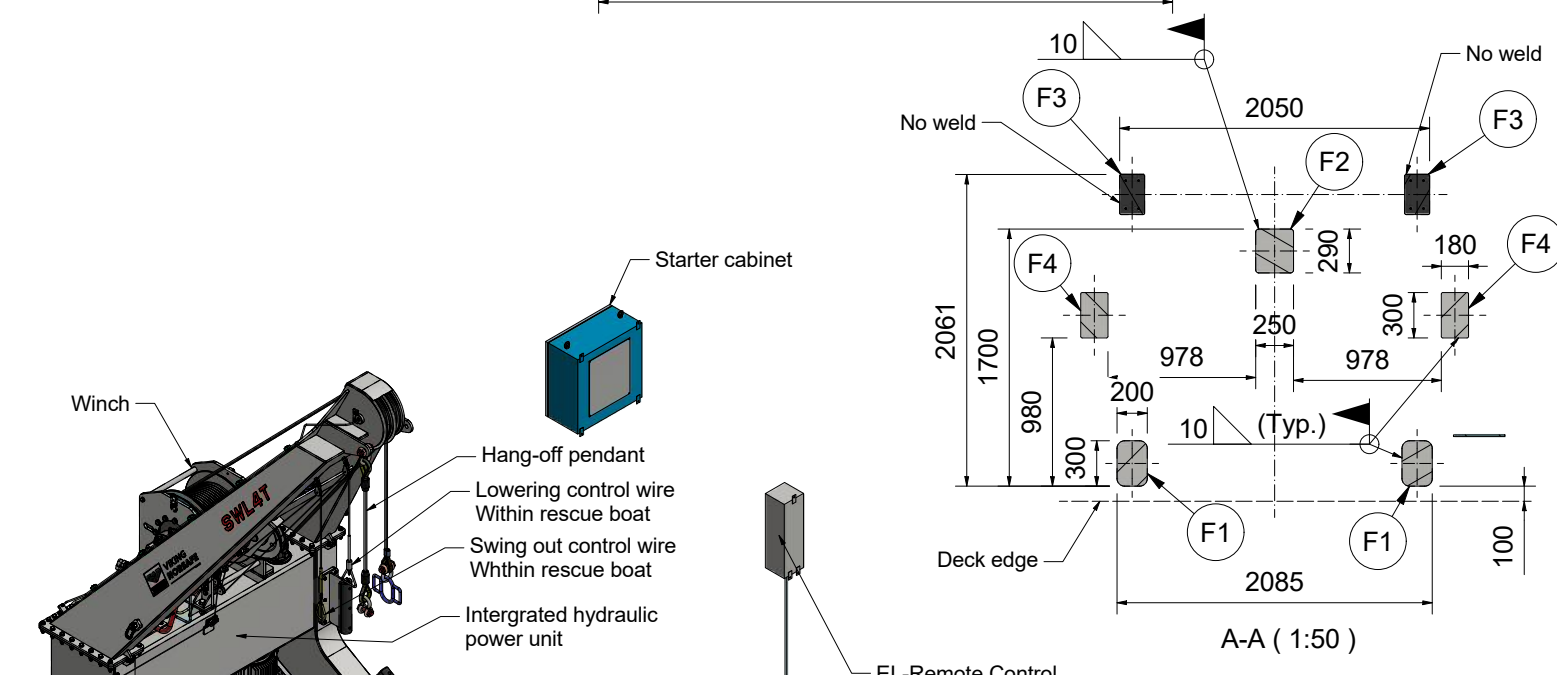
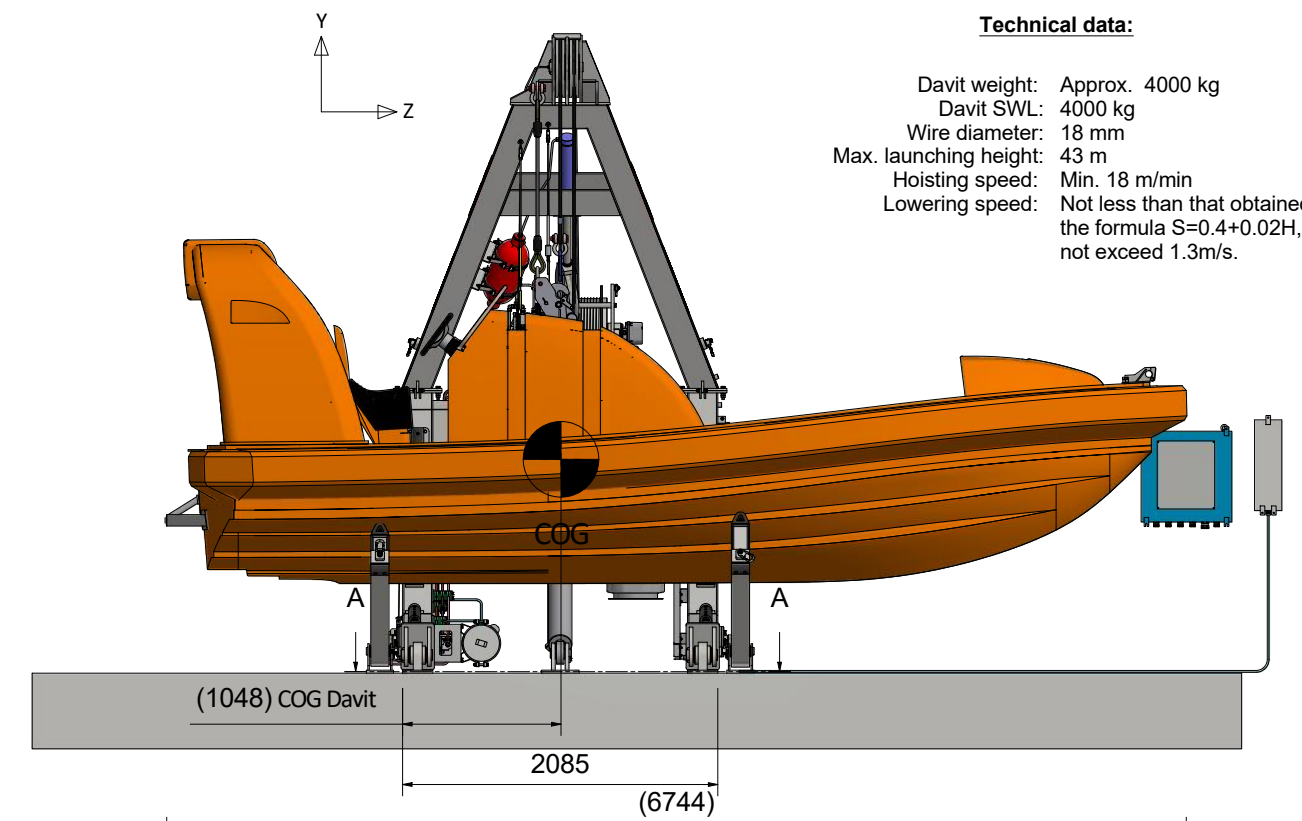
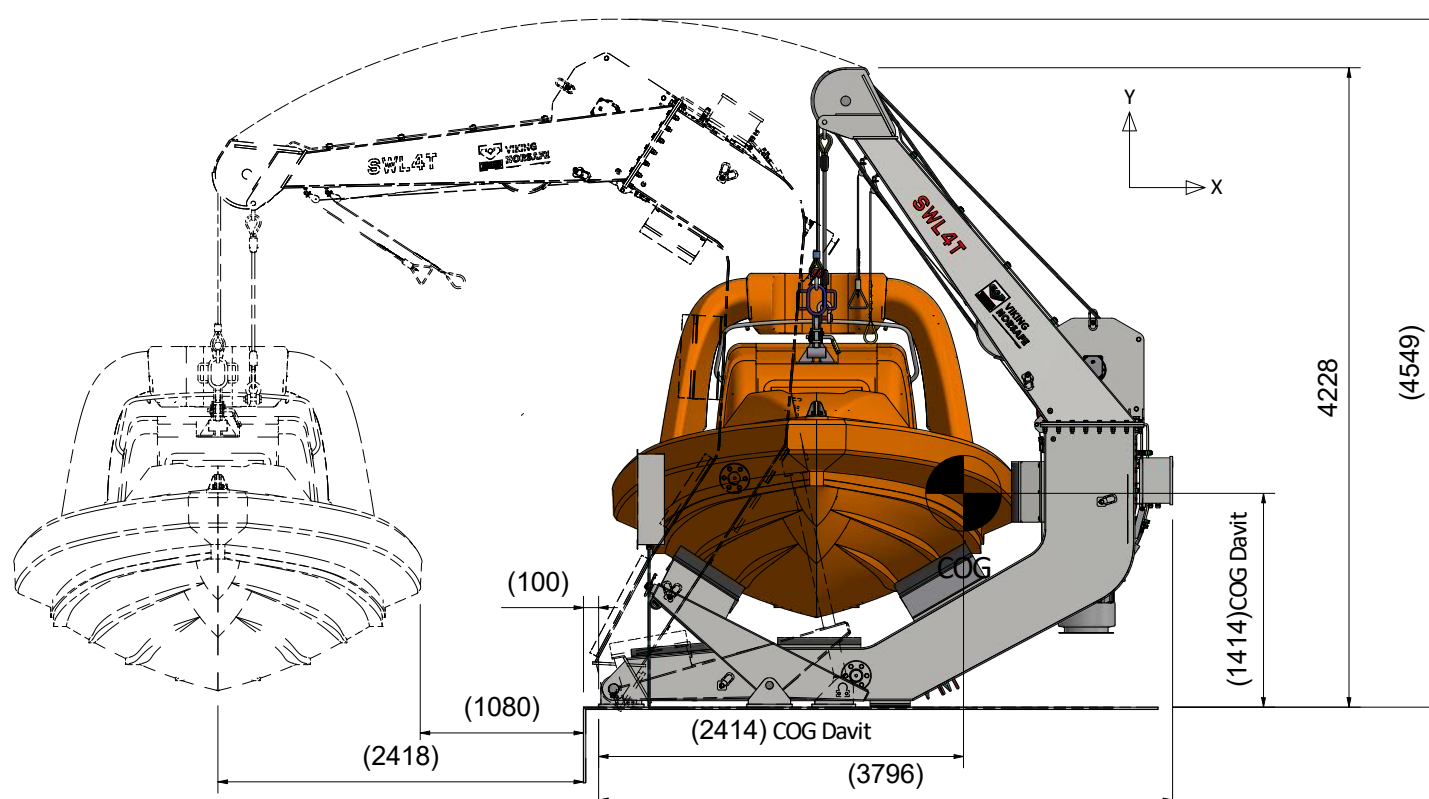


NRB-40 MKII Rescue Boat Davit

Technical data:

Davit weight: Approx. 4000 kg
 Davit SWL: 4000 kg
 Wire diameter: 18 mm
 Max. launching height: 43 m
 Hoisting speed: Min. 18 m/min
 Lowering speed: Not less than that obtained from the formula $S=0.4+0.02H$, and not exceed 1.3m/s.

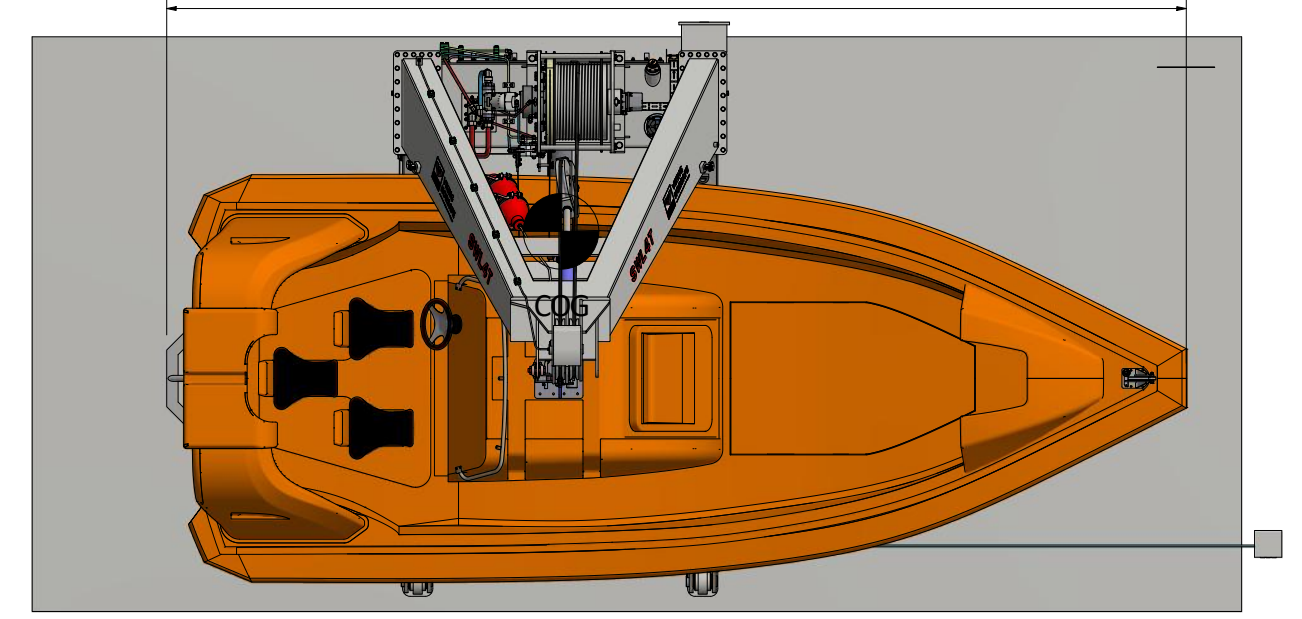


- Notes:**
1. Embarkation platform, ladders etc.:yard supply.
 2. All electric wiring by yard.
 3. All field welds to be performed acc. to approved WPS.(yard responsibility).All field welding is subject to class approval prior to start welding.
 4. Davit remote control to be placed by yard. Control system must be located such that the operator has clear view to the rescue boat during all movements.
 5. Starter cabinet to be placed by yard

Reaction force	Horizontal (kN)	Vertical (kN)	Horizontal (kN)	Moment (kNm)	Moment (kNm)	Moment (kNm)
	FX	FY	FZ	MX	MY	MZ
F1	-102	95	8	-14	-10	0
F2	170	123	1	0	0	0
F3	0	50	0	0	0	0
F4	0	20	0	0	0	0

Reaction forces:
 Reaction forces as joint loads each side, marked with nodes on deck interface.
 For orientation of forces see legend with marked XYZ vectors.
 All forces are point loads, nominal forces without any factors.

(Davit remote control to be placed by yard. control system must be located such that the operator has clear view to the rescue boat during all movements.)



REV	REASON FOR ISSUE	BY	CHECK	APPRO	DATE
2	Updated reaction force table	GACA	DZH	WAGU	10.09.2020
1	Re-issued for approval	GACA	CENI	WAGU	24.06.2019

REVISION HISTORY

VIKING NORSAFE
 VIKING NORSAFE Life-Saving Equipment Norway AS
 P.O Box 115 4852 Færвик NORWAY
 Tel: +47 37 05 85 00 Fax: +47 37 05 85 01
 24/7 Service: +47 37 05 63 33 Email: Viking-Norsafe@viking-life.com

Drawn by: ABFA, Check by: ALJI, Appr. by: WAGU, Initial release date: 06.09.2018

Project number	Project name	Client number
Title		Material Number
NRB-40 MKII Rescue boat davit for Mako-655 Starboard		Weight N/A
Drawing type		Projection method
GA		First angle
Drawing Number		Scale
G-502775		1:50
Tolerances		Sheet Size
ISO 2768-mK, ISO 13920-BF		A3
Revision		Sheet No.
2		1/1