

Optional hang-off used for service in stowed position. To be specified in purchase order if required.

The Max. height means the distance from profile steel of center beam to the upside of platform

Max. Height = 180

- NOTES:
- ACCESS PLATFORMS & BOARDING, WALK WAYS, STAIRS & HANDRAILINGS, DOUBLER PLATES, ETC.: YARD SUPPLY - TO BE FINALIZED DURING LIFEBOAT INSTALLATION.
  - ELECTRIC WIRING BY YARD.
  - FIELD WELDS TO BE WELDED BY YARD ARE SHOWN BY FLAG: ▶
  - ALL FIELD WELDS TO BE PERFORMED ACC. TO APPROVED WPS. (YARD RESPONSIBILITY). ALL FIELD WELDING IS SUBJECT TO CLASS APPROVAL PRIOR TO START WELDING.
  - ALL STRUCTURAL STEEL TO BE S355, Q345B/D, S235 AND Q235. OUTFITTING STEEL TO BE S235, Q235 OR EQUIVALENT.
  - FOR WINTERIZATION / ARCTIC AREAS OPERATION STEEL TO BE Q345D/S355 WITH CHARPY TESTING AT -20 DEGREES.
  - WIRE LENGTHS: WIRE AFT -  $\phi 18$ :  $23\text{ m} + 2 \times (H + H1)$   
WIRE FWD -  $\phi 18$ :  $28\text{ m} + 2 \times (H + H1)$   
REMOTE LOWERING WIRE: DECK WIRE -  $\phi 3$ : 14,5 m  
BOAT WIRE -  $\phi 3$ :  $16\text{ m} + (H + H1)$   
H = HEIGHT FROM STOWAGE TO L.W.L.  
H1 = ADDITIONAL HEIGHT DUE TO LIST AND TRIM CONDITIONS, UNLESS OTHERWISE AGREED.
  - FOR LOCATION OF HATCHES, HOOKS AND OTHER BOAT DETAILS SEE BOAT DRAWINGS.
  - C.O.G. - CENTER OF GRAVITY (DAVIT WITH LIFEBOAT)

E - 90 LIFE BOAT DAVIT  
 SWL HOISTING: 90 kN  
 SWL LOWERING: 90 kN  
 HOISTING SPEED: APPROX 5 m/min  
 DESIGN SPEC SOLAS: 10° TRIM, 20° LIST SIMULTANEOUSLY  
 DEAD SHIP LOWERING SPEED: MAXIMUM 60 m/min

DAVIT WEIGHT INCLUDE NW85 WINCH: 7950KG

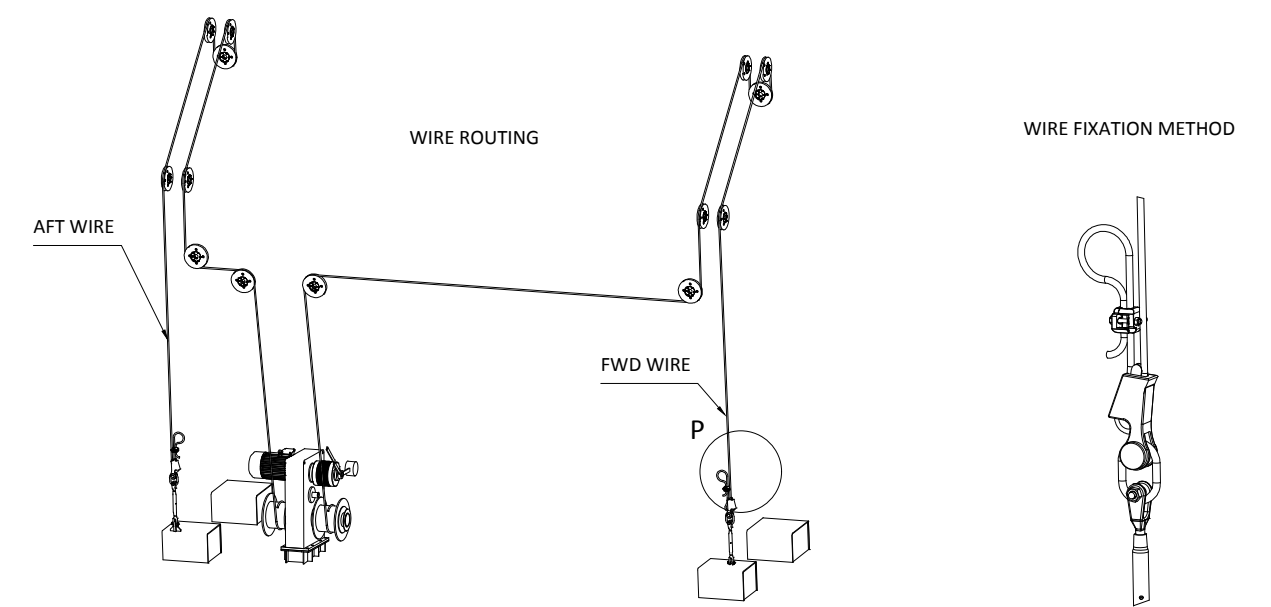
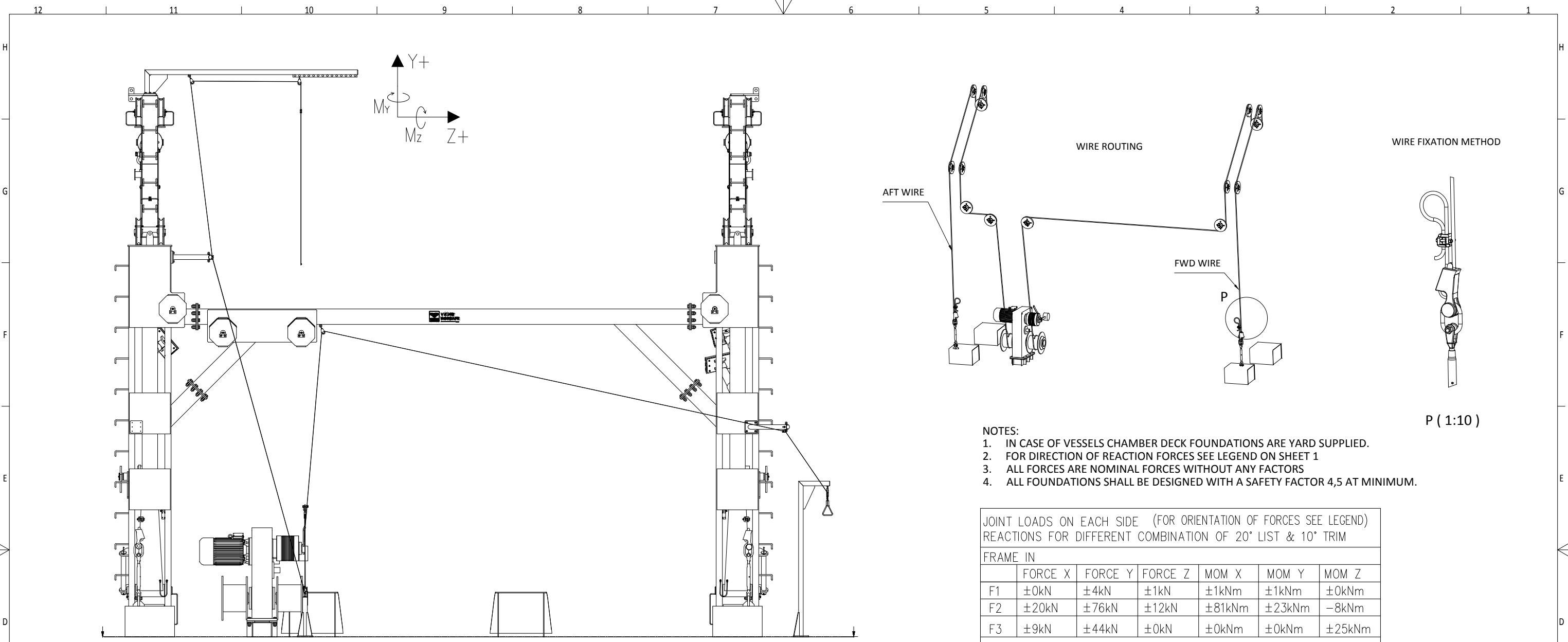
REV	DESCRIPTION	BY	CHECK	APPRO	DATE
3	Reissued for approval	MISO	ALJI	WAGU	26.06.2019
2	Update remote control tube, add note	ALJI	GACA	WAGU	28.01.2016
0	Issued for construction	ALJI	GACA	WAGU	06.03.2014

REVISION HISTORY

**VIKING NORSAFE**  
 VIKING Norsafe Life-Saving Equipment Norway AS  
 P.O. Box 115  
 4852 Færvik  
 NORWAY  
 Tel: +47 37 05 85 00  
 Fax: +47 37 05 85 01  
 24/7 Service: +47 37 05 63 33  
 Email: viking@viking-life.com

This drawing is the sole property of VIKING Norsafe Life-Saving Equipment Norway AS. It must not be submitted to other parties nor used in any manner detrimental to our interests. It shall not be copied, reproduced, used for manufacturing or sale without the written consent of VIKING Norsafe Life-Saving Equipment Norway AS. All rights are reserved.

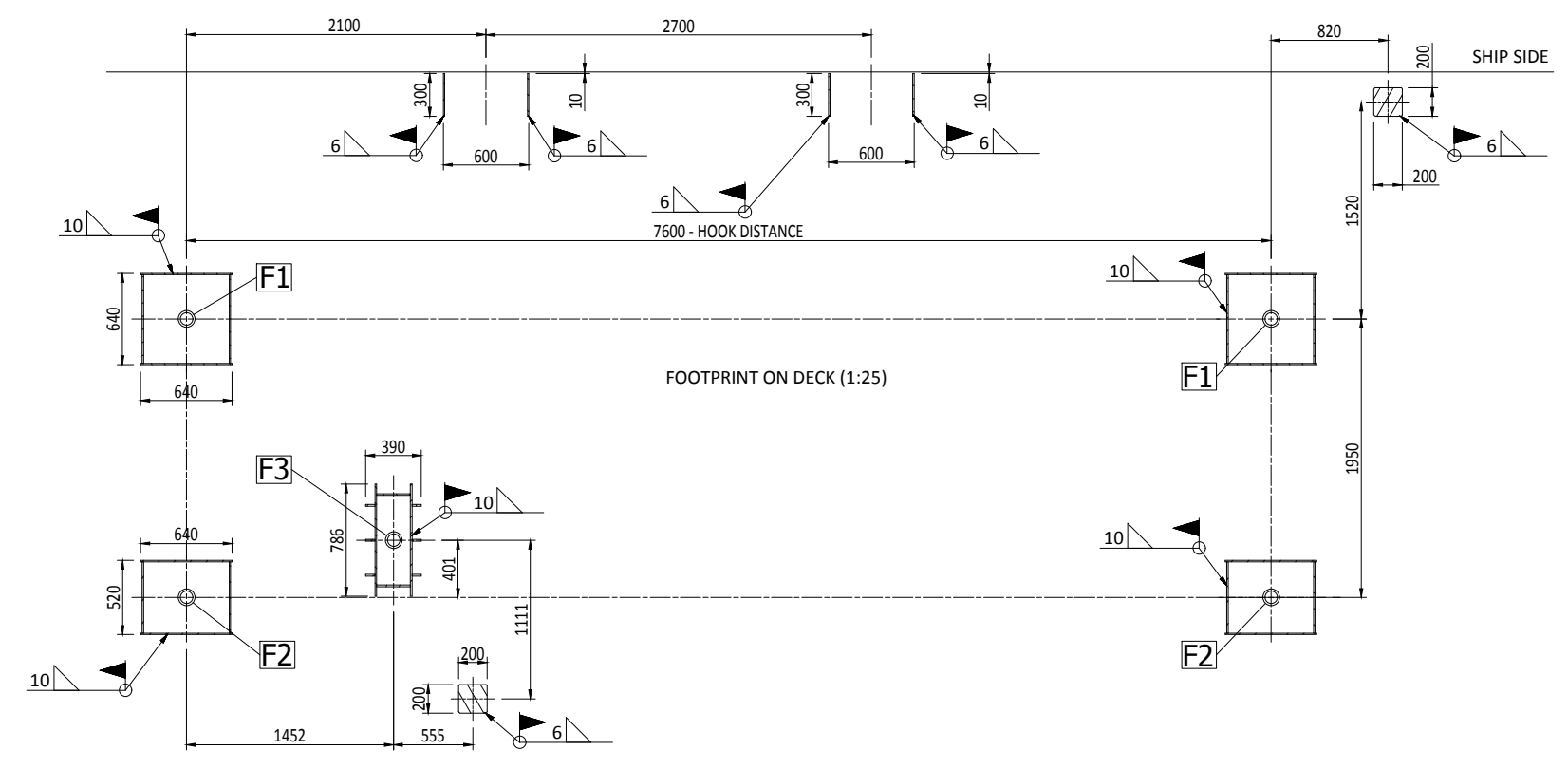
DWG SIZE: A3	SCALE: 1:25	COPY OF:	PART NO.	WEIGHT:	SHEET: 1/2
CLIENT NO:	PROJECTION METHOD:	E-90 General Arrangement with Lifeboat Type JYN80			
TOLERANCES: ISO 2768-mk, ISO 13920-BF	REVISION: 3	General Arrangement			
DWG No: G-500441	PROJECT:				



- NOTES:
1. IN CASE OF VESSELS CHAMBER DECK FOUNDATIONS ARE YARD SUPPLIED.
  2. FOR DIRECTION OF REACTION FORCES SEE LEGEND ON SHEET 1
  3. ALL FORCES ARE NOMINAL FORCES WITHOUT ANY FACTORS
  4. ALL FOUNDATIONS SHALL BE DESIGNED WITH A SAFETY FACTOR 4,5 AT MINIMUM.

JOINT LOADS ON EACH SIDE (FOR ORIENTATION OF FORCES SEE LEGEND)  
 REACTIONS FOR DIFFERENT COMBINATION OF 20° LIST & 10° TRIM

FRAME IN						
	FORCE X	FORCE Y	FORCE Z	MOM X	MOM Y	MOM Z
F1	±0kN	±4kN	±1kN	±1kNm	±1kNm	±0kNm
F2	±20kN	±76kN	±12kN	±81kNm	±23kNm	-8kNm
F3	±9kN	±44kN	±0kN	±0kNm	±0kNm	±25kNm
FRAME OUT						
	FORCE X	FORCE Y	FORCE Z	MOM X	MOM Y	MOM Z
F1	±121kN	±248kN	±19kN	±37kNm	±26kNm	±31kNm
F2	±147kN	±176kN	±7kN	±2kNm	±6kNm	-59kNm
F3	±9kN	±44kN	±0kN	±0kNm	±0kNm	±25kNm



3	Reissued for approval	MISO	ALJI	WAGU	26.06.2019
2	Update remote control tube, add note	ALJI	GACA	WAGU	28.01.2016
0	Issued for construction	ALJI	GACA	WAGU	06.03.2014
REV	DESCRIPTION	BY	CHECK	APPRO	DATE

**REVISION HISTORY**

**VIKING NORSAFE**

VIKING Norsafe Life-Saving Equipment Norway AS  
 P.O. Box 115  
 4852 Færøvik  
 NORWAY  
 Tel: +47 37 05 85 00  
 Fax: +47 37 05 85 01  
 24/7 Service: +47 37 05 63 33  
 Email: viking@viking-life.com

This drawing is the sole property of VIKING Norsafe Life-Saving Equipment Norway AS. It must not be submitted to other parties nor used in any manner detrimental to our interests. It shall not be copied, reproduced, used for manufacturing or sale without the written consent of VIKING Norsafe Life-Saving Equipment Norway AS. All rights are reserved.

DWG SIZE: A3	SCALE: 1:25	COPY OF:	PART NO.:	WEIGHT:	SHEET 2 / 2
CLIENT NO:	PROJECTION METHOD:		E-90 General Arrangement with Lifeboat Type JYN80		
TOLERANCES: ISO 2768-mk, ISO 13920-BF	REVISION: 3				
DWG No: G-500441	PROJECT:		General Arrangement		