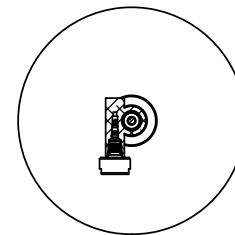
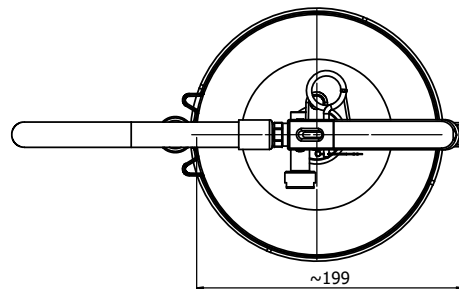
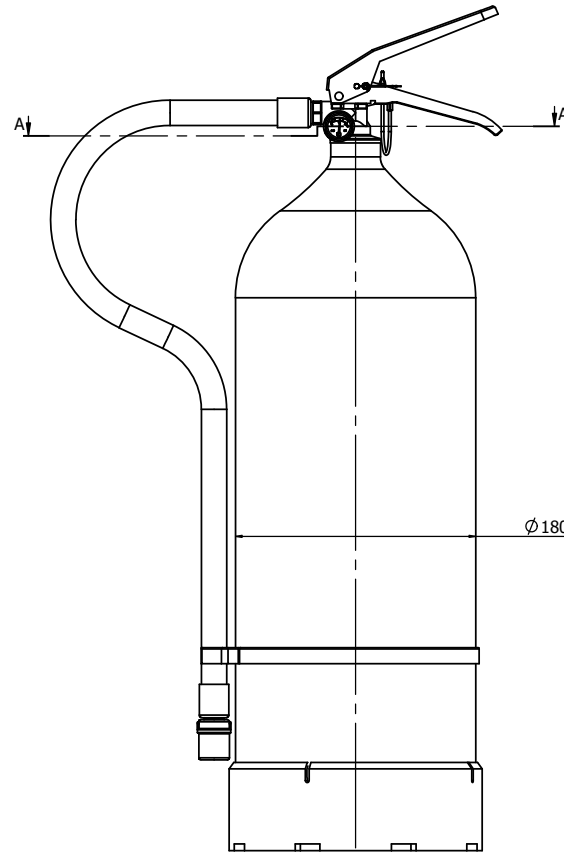
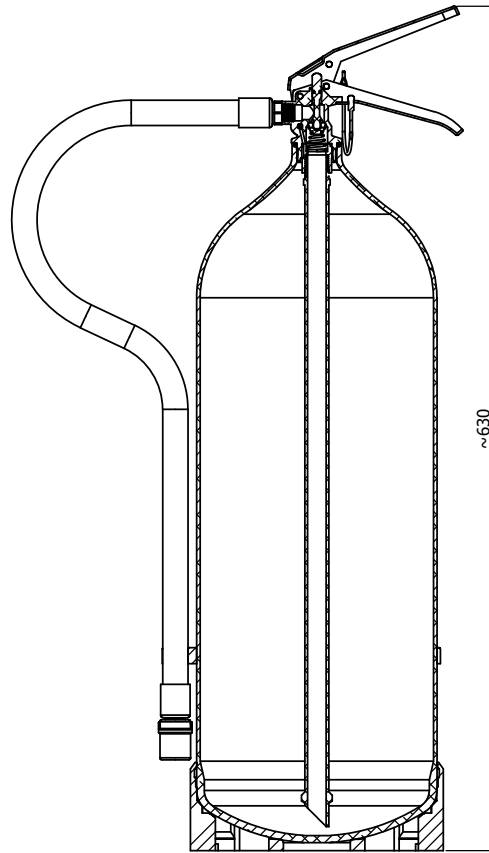


Note: label according to customer requirements: code 09.886F.F000.00 is for unlabeled extinguisher.
 Nota: etichetta secondo richiesta del cliente: il codice 09.886F.F000.00 vale per l'estintore neutro.
 Nota: étiquette suivant demande du client: le code 09.886F.F000.00 est valable pour l'extincteur neutre.



Section: A-A

FS9-LH - 9LT FOAM SP



an ANAFGROUP company

		ANAFGROUP							
B	Variation extinguisher	FL	DR	YA	=	12.29 kg	FS9-LH		
	Variatione estinguente						Estintore assemblé		
	Variation of extinction						Assemble extintor		
	FPM alignment	FL	DR	YA	=	1:2	Assemble extinguisque		
C	Allineamento FPM								
	Alignment FPM								
A1							09.886F.F000.00		