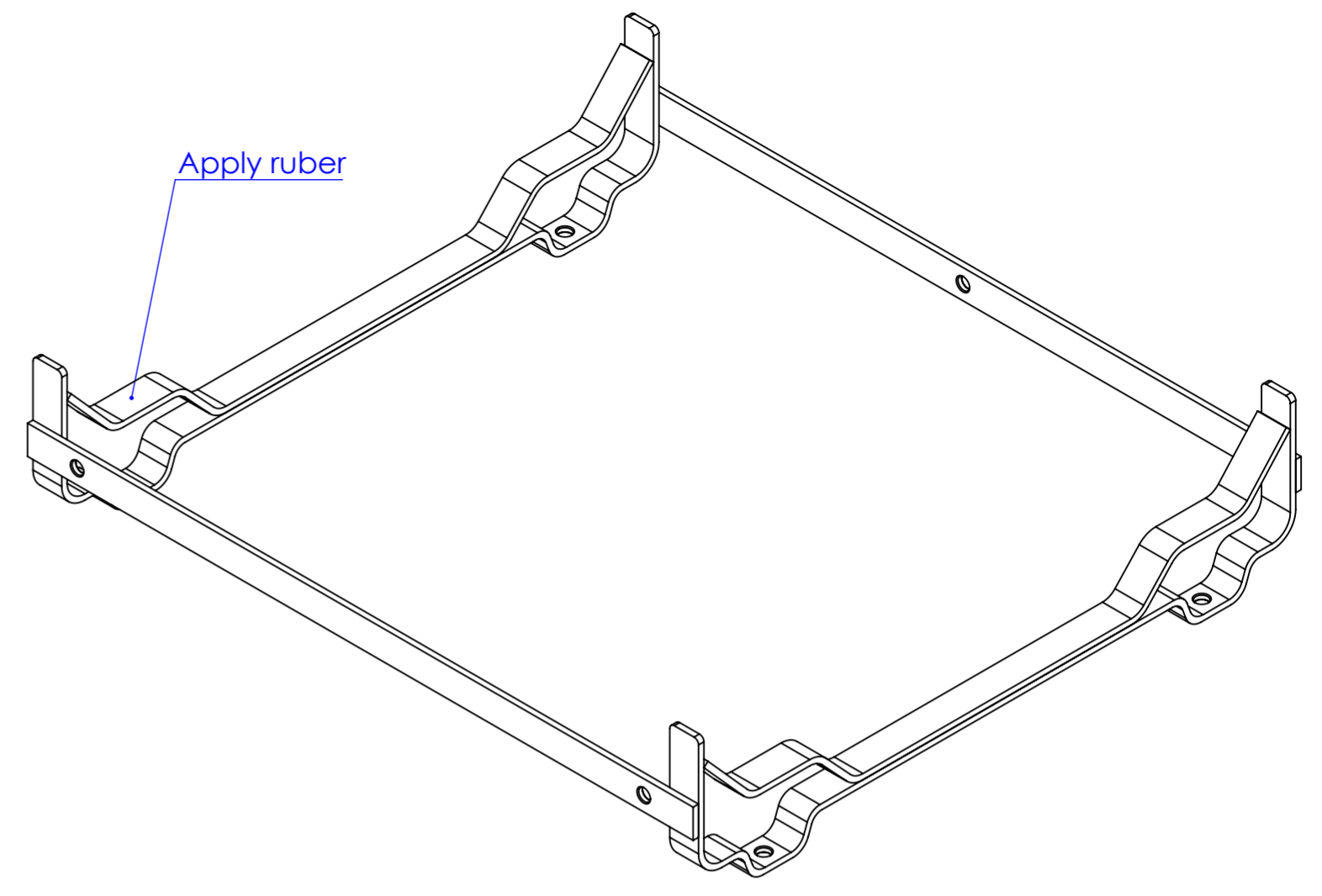
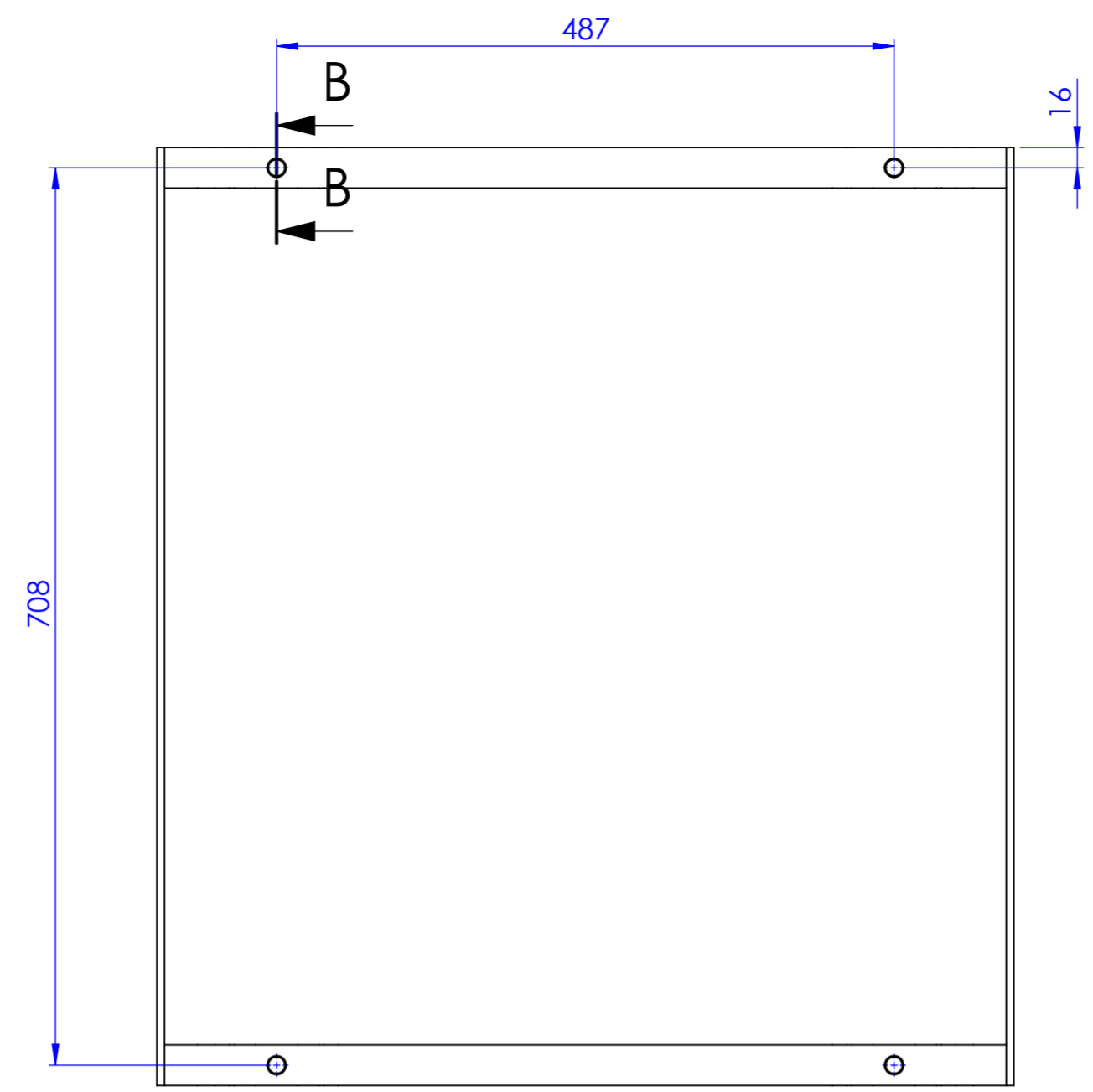
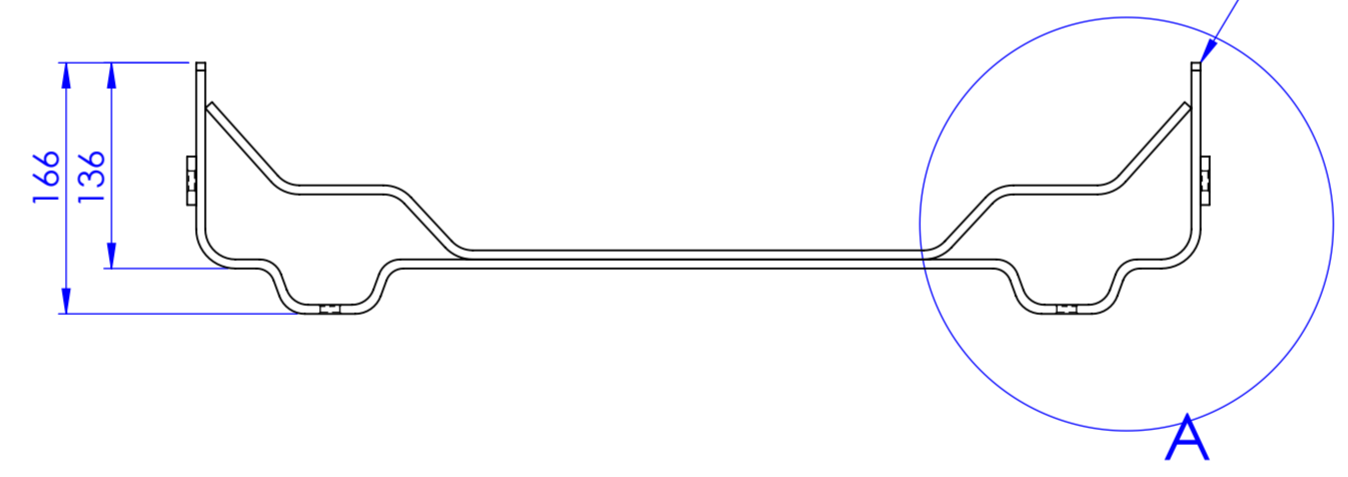
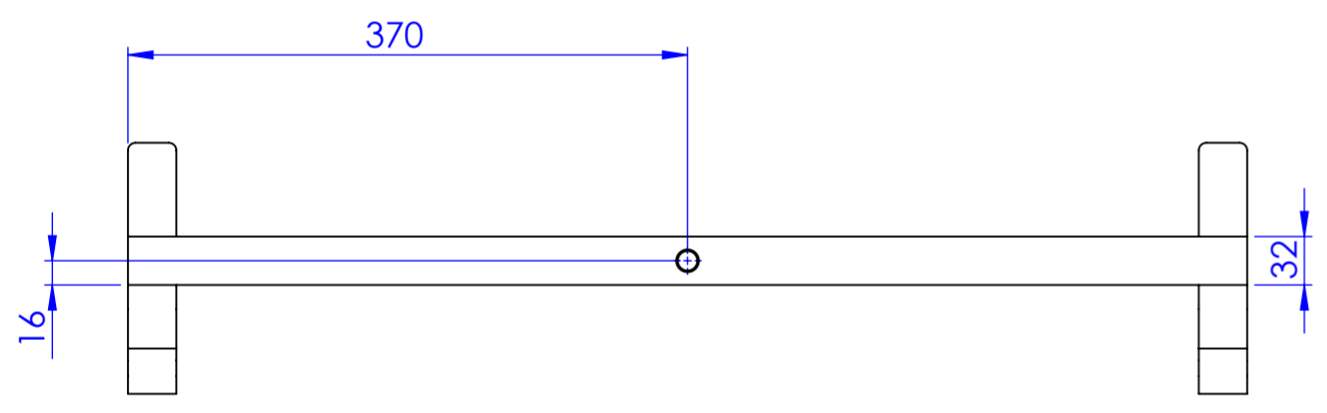


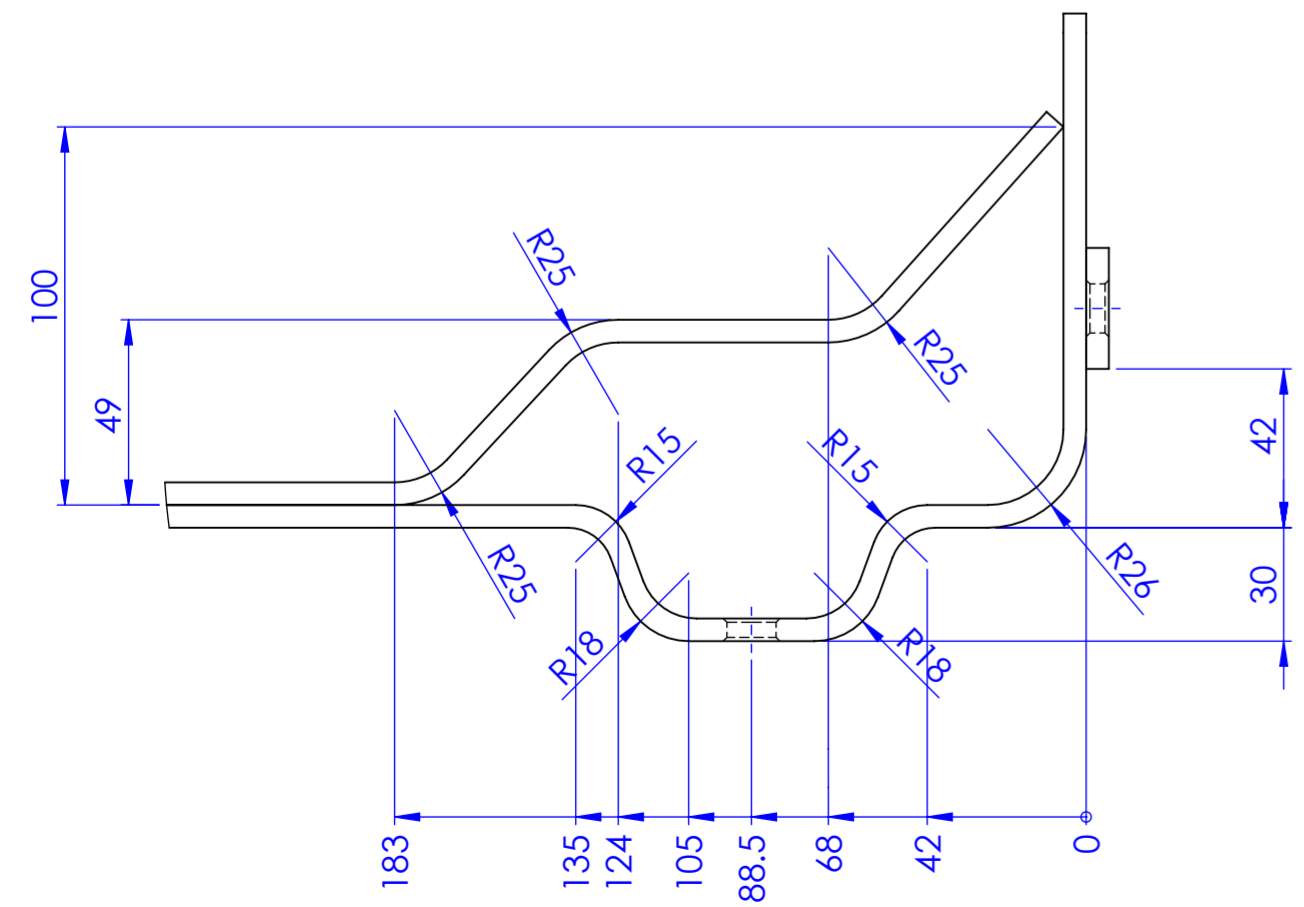
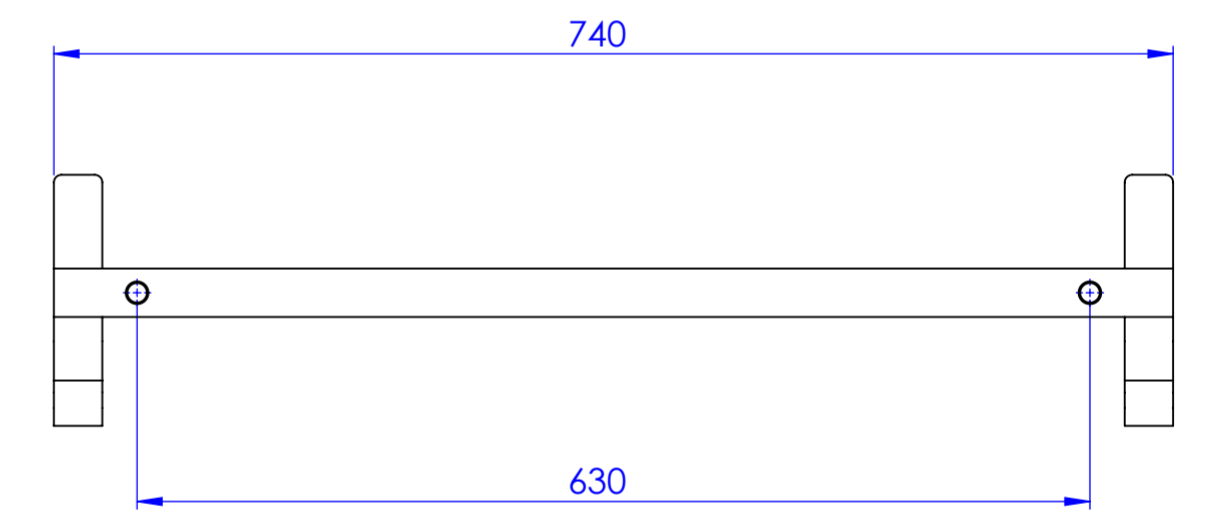
SECTION B-B
SCALE 1 : 2



ISO VIEW
SCALE 1 : 5


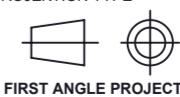


All 4 ends must be rounded



DETAIL A
SCALE 1:2

Surface treatment : Hot galvanized acc.to DS/ISO 1461 Class A
Measurement without tolerance : DS/EN ISO 13520 Class C
Welding according to : DS/EN 5817 Class C

MATERIAL NO: 1060018_1060032		Old DWG No: -	STATUS:	UNITS: mm/kg	WEIGHT: 7.4	CHECK DATE/INIT:
BASIC MATERIAL: S 235 JR		SURFACE TREATMENT: -		SHEET SIZE: A2	SCALE: 1:10	SHEET NO.: 1/1
		VIKING LIFE-SAVING EQUIPMENT A/S Sædding Ringvej 13, DK-6710 Esbjerg V Tel.: +45 7611 8100 Fax.: +45 7611 8101 E-mail: viking@viking-life.dk Web: www.VIKING-life.com		PROJECTION TYPE:  FIRST ANGLE PROJECTION GENERAL TOLERANCE: ISO 2768-1 M		DESCRIPTION: Galvanized Cradle F. 9042 Cont. 8/10/12/16 DK+
Copyright of VIKING LIFE-SAVING EQUIPMENT DENMARK whose property this document remains. No part thereof may be disclosed, copied, duplicated or in any other way made use of except with the approval of VIKING LIFE-SAVING EQUIPMENT DENMARK.		CAD NO.:	15001154	Drawing NO.:	16007100	REV NO.: