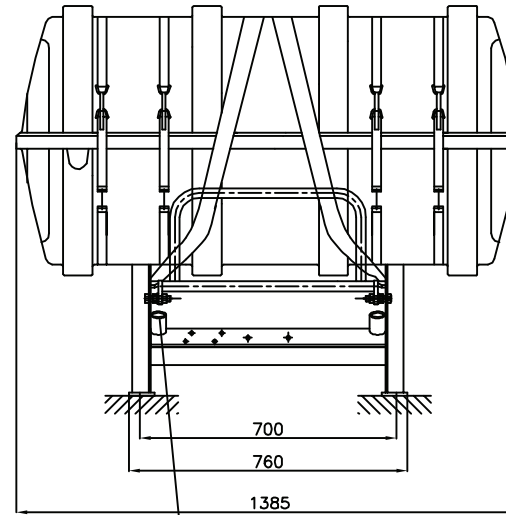
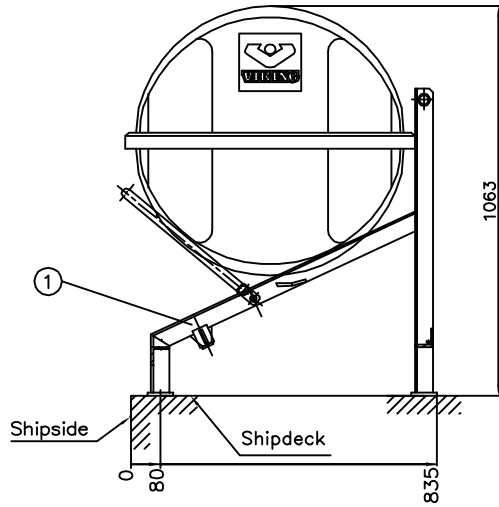
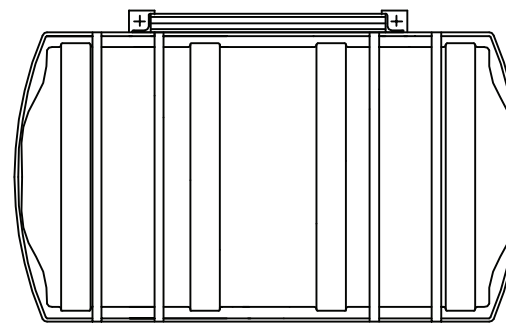
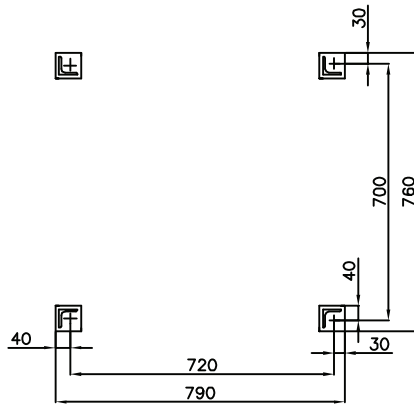


First angle projection

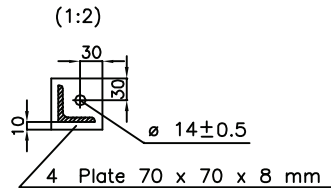


Holder for service pipe

Place service pipe in holder while life raft is being lashed.



Container Part no.:	Description:	Lashing:
016-0008	DK 16	1004208
016-5100	DK 16	-
016-0016	DK 20	1004208
016-6000	DK 25 "B"	-
016-6000	DK 20 "A+B"	-
016-0111	DK 25 "A"	1004208
016-5200	DK 25 "A"	-
016-0016	DKR 20-25	-
016-6100	DKR 20-25	-
016-0111	DKR 50	-
016-5200	DKR 50	-
016-8100	DKF 25	-



In case VIKING does not manufacture the cradle, VIKING will not be held responsible for construction, dimensioning and choice of material for the rack.

Measures are for guidance only

Weight: 34 kg

New part no. 1003647  
Old part no. 052-6075

5355/P	17.11.03	MS
Issue/ ref. no	Date:	Check:

1	Rampstand	1	836-051.x-2
M/E no.	Object	Piece	Draw. no.
Copyright of VIKING LIFE-SAVING EQUIPMENT, DENMARK, whose property this document remains. No part thereof may be disclosed, copied, duplicated or in any other way made use of. Except with the approval of VIKING LIFE-SAVING EQUIPMENT, DENMARK.			
		P.O. Box 3060 6710 Esbjerg V Denmark	Scale: 1:10 Dwg. no.: 08.06.93 LJ Check: 08.06.03 PEA
General arrangement Rack for 1 pc liferaft			Drawing no.: 836-050.1-2
			CAD Nr.: 8360502