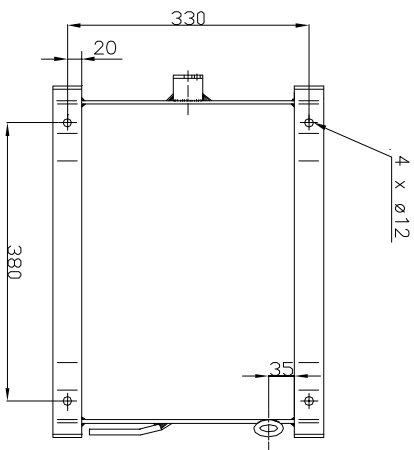
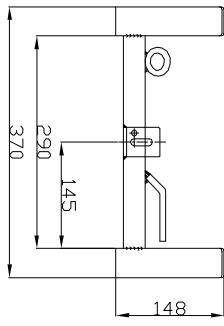
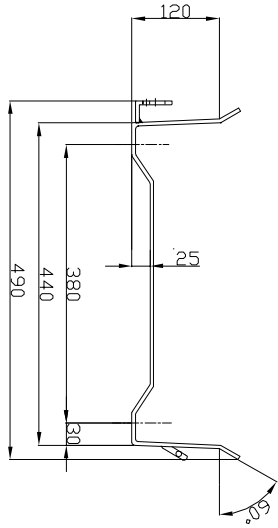


First angle projection



Surfaced: see form
 Part no.: 015-0032/1004546, Stainless steel
 Part no.: 015-0013/1004544, Galvanized
 Toll.: DS. 326 class B

Copyright of VIKING LIFE-SAVING EQUIPMENT, DENMARK, whose property this document remains. No part thereof may be disclosed, copied, duplicated or in any other way made use of, except with the approval of VIKING LIFE-SAVING EQUIPMENT, DENMARK.

	VIKING LIFE-SAVING EQUIPMENT	P. O. Box 3860	Scale:	Dim. in:	Drawn:
		Denmark	6710 Esbjerg V	1:5	mm

GA drawing of Cradle for Container	Drawing no.:
PART NO.: 016-0009 / 016-0011 / 016-0020	42003297
	CAD Nr.: 42003297

In case VIKING does not manufacture the cradle, VIKING will not be held responsible for construction, dimensioning and choice of material for the rack.