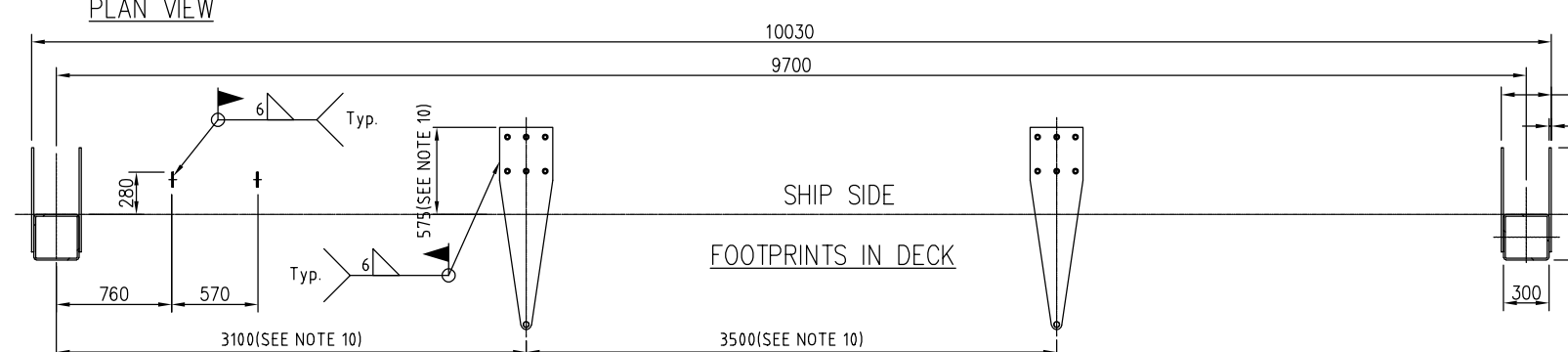
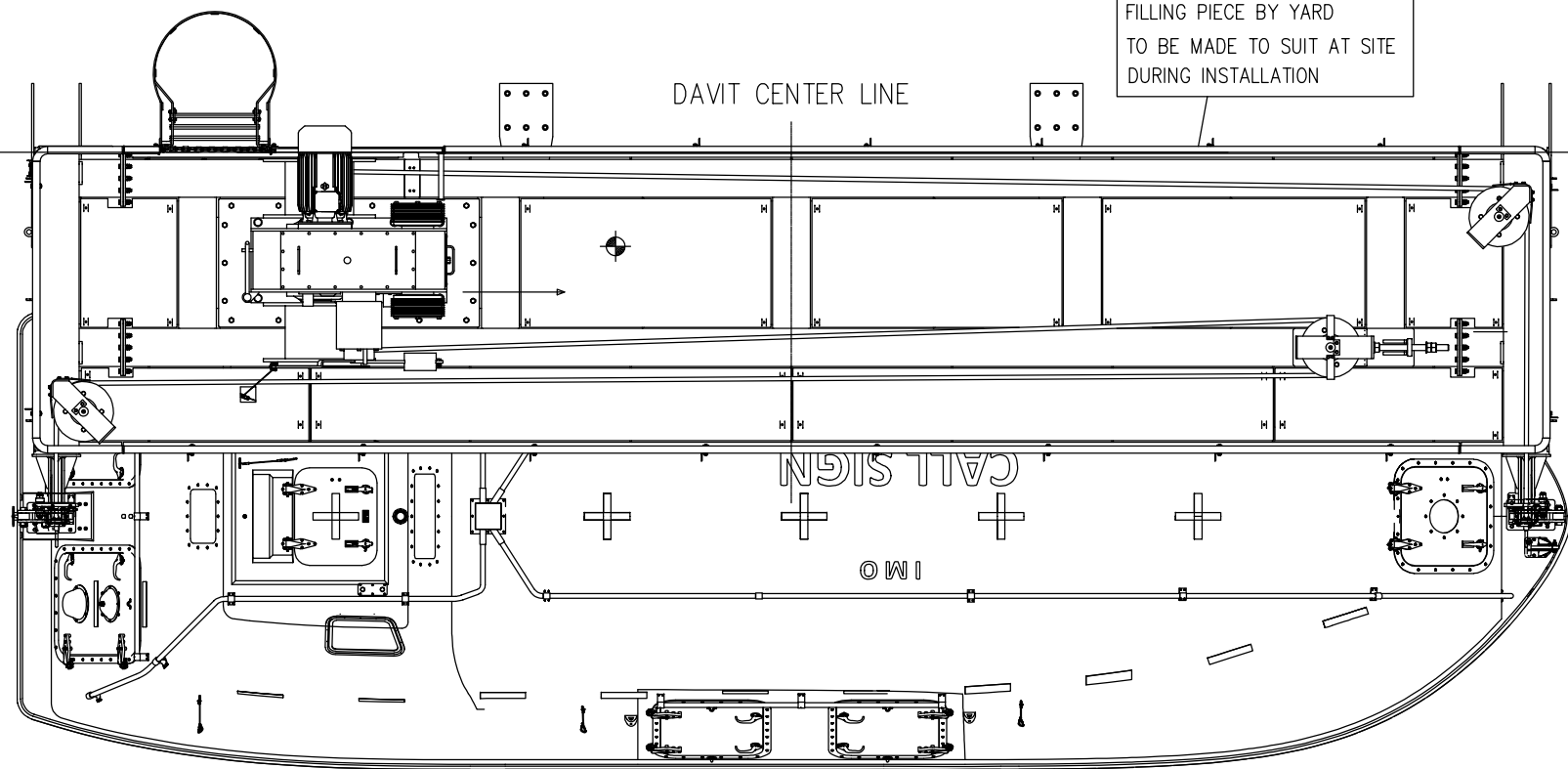
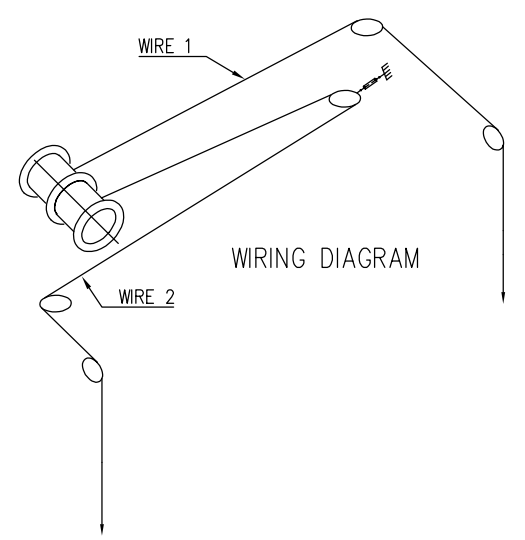


FOR ORIENTATION OF FORCES, SEE X, Y AND Z-DIRECTION ON DRAWING.

	FORCE X	FORCE Y	FORCE Z	MOM X	MOM Y	MOM Z
F1	±48 kN	119 kN	±51 kN	±112 kNm	±27 kNm	278 kNm



- NOTES:
1. ALL ELECTRIC WIRING BY YARD.
  2. ALL FIELD WELDS TO BE PERFORMED ACC. TO APPROVED WPS (YARD RESPONSIBILITY). ALL FIELD WELDING IS SUBJECT TO CLASS APPR. PRIOR TO WELDING.
  3. ALL FIELD WELDS SHOWN TO BE WELDED BY YARD DURING INSTALLATION.
  4. WIRE LENGTHS:  
 WIRE 1:  $17,5m + H = X_{m1}$   
 WIRE 2:  $24m + H = X_{m2}$   
 WIRE LENGTH INCLUDE 3 WRAPS ON DRUM  
 H = (HEIGHT FROM STOWAGE TO L.W.L. INCLUDE LIST AND TRIM.)  
 X<sub>m</sub> = Total wire length
  5. ALL MAIN STEEL S355. ALL OUTFITTING STEEL S235
  6. CENTER OF GRAVITY ONLY FOR DAVIT INSTALLATION
  7. ALL FORCES ARE NOMINAL FORCES WITHOUT ANY FACTORS  
 ALL FOUNDATIONS SHALL BE DESIGNED WITH A FACTOR OF SAFETY OF MINIMUM 4.5.

8. THE DAVIT IS IN ACCORDANCE WITH THE LATEST REQUIREMENTS TO SOLAS
9. STARBOARD DAVIT SHOWN. PORT SIDE DAVIT IS MIRRORED
10. LOCATION OF PIN LASHING IS ONLY ESTIMATED.  
 LASHING PIN TO BE INSTALLED AFTER THE BOAT IS INSTALLED IN THE DAVIT

- NOTES:
1. ALL ELECTRIC WIRING BY YARD.
  2. ALL FIELD WELDS TO BE PERFORMED ACC. TO APPROVED WPS (YARD RESPONSIBILITY). ALL FIELD WELDING IS SUBJECT TO CLASS APPR. PRIOR TO WELDING.
  3. ALL FIELD WELDS SHOWN TO BE WELDED BY YARD DURING INSTALLATION.
  4. WIRE LENGTHS:  
 WIRE 1:  $17,5m + H = X_{m1}$   
 WIRE 2:  $24m + H = X_{m2}$   
 WIRE LENGTH INCLUDE 3 WRAPS ON DRUM  
 H = (HEIGHT FROM STOWAGE TO L.W.L. INCLUDE LIST AND TRIM.)  
 X<sub>m</sub> = Total wire length
  5. ALL MAIN STEEL S355. ALL OUTFITTING STEEL S235
  6. CENTER OF GRAVITY ONLY FOR DAVIT INSTALLATION
  7. ALL FORCES ARE NOMINAL FORCES WITHOUT ANY FACTORS  
 ALL FOUNDATIONS SHALL BE DESIGNED WITH A FACTOR OF SAFETY OF MINIMUM 4.5.

DAVIT TECHNICAL DATA:  
 SAFETY WORKING LOAD: 150 kN  
 WEIGHT: 8700 KG, INCL. WINCH

REV	REASON FOR ISSUE	BY	CHECK	APPRO	DATE
2	Reissued for approval	MISO	ALJI	WAGU	24.06.2019
1	Corrected Reaction Force Table				

REVISION HISTORY					
REV	REASON FOR ISSUE	BY	CHECK	APPRO	DATE
1	Corrected Reaction Force Table				

		VIKING Norsafe Life-Saving Equipment Norway A P.O Box 115 4852 Faerвик NORWAY Tel: +47 37 05 85 00 Fax: +47 37 05 85 01 24/7 Service: +47 37 05 63 33 Email: Viking-Norsafe@viking-life.com			
Project number	Project name	Client number	Material Number	<b>C-140 DAVIT WITH JYN-100</b>	
Title			Weight	0,0 kg	
Drawing type			Projection method		
Drawing Number		Tolerances	Scale	Sheet Siz	
G-500205		ISO 2768-mK, ISO 13920-BF	1:50	A3	
Revision			Revision	Sheet No.	
2			2	1/1	