

# Wolflite H-251A\LED Rechargeable Handlamp

Zones: 1, 2, 21 and 22



## Product Overview

The Wolflite H-251A\LED Rechargeable Handlamp is ideal as a safety lamp for inspection and work tasks, offering a convenient and cost effective solution when frequently required for long periods, and is CE marked to the ATEX Directive for safe use in potentially explosive atmospheres, and the H-251A is also IECEx certified, has Lloyd's and MCA Type Approval for marine applications.

The Handlamp offers extreme robustness and reliability in harsh environments; the scratch and impact resistant lens is made from 6mm toughened glass and the body and lens ring are moulded in a highly resilient thermoplastic material to withstand drop and impact expected from heavy industrial use, even at sub-zero temperatures. The material is electrostatic non-hazardous, ensuring there is no risk of a dangerous build up of static charges and the enclosure is sealed to IP66, preventing the ingress of dust and sealing against water, except submersion.

H-251ALED's outstanding light output is achieved from an LED light source giving approximately 50% more light and a threefold increase in duration over the high efficiency halogen bulb fitted as standard with the H-251A. Both are focused within a 100mm diameter parabolic reflector giving the user an extremely well defined beam of intense white light. The H-79 LED module can be retro-fitted to existing H-251A handlamps.

The battery pack is a highly reliable sealed lead acid system, enhanced with electronic protection and control, and is rendered intrinsically safe by the use of a fast switching short-circuit protection circuit. A low voltage cut-off feature automatically switches the lamp off when all useful battery capacity has been used, protecting the battery from damage through deep discharge. Emergency illumination function illuminates Handlamp if power to the charger is cut.

## Features & Benefits

- CE marked to ATEX Directive Explosive gas, vapour and mist certified for zones 1 & 2, up to T4 temperature class
- Dust ignition protected for zones 21 and 22, for dusts with ignition temperatures over 135°C
- Increased light output and battery duration with LED option
- Fitted for life LED retro fit option
- Electronic current limited battery with power fail operation and deep discharge protection
- Robust anti-static thermoplastic lamp enclosure
- Ingress protection to IP66
- For use with C-251HV/LV Chargers
- Suitable for cyclic and short term standby applications (for long term see Wolflite XT Rechargeable LED Handlamp and Rechargeable Torch)

## Certifications



1180

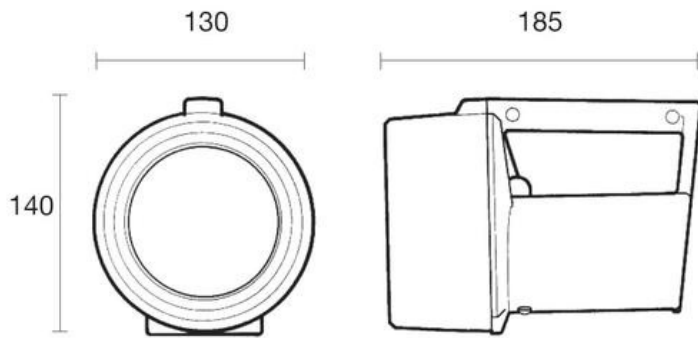


# Technical Specification

<b>Product Reference</b>		<b>H-251A</b>	<b>H-251ALED</b>
<b>Product Description</b>		Rechargeable Safety Handlamp	
<b>Code</b>	<b>ATEX</b>	II 2 GD Ex e ib IIC T4 IP66 T135° C	
	<b>IECEX</b>	Ex e ib I/IIC T4 IP65	-
<b>Type of Protection</b>		"e" increased safety, "ib" intrinsic safety	
<b>Area of Classification (Gases)</b>		Zones 1 and 2, Gas Groups IIA, IIB, IIC	
<b>Temp. Classification (Gases)</b>		T4	
<b>Area of Classification (Dust)</b>		Zones 21 and 22	
<b>Max. Surface Temperature (Dust)</b>		135° C	
<b>Ambient Temperature</b>		-20° C to +40° C	
<b>Certificates</b>		BAS00ATEX2176 IECEX TSA 05.0017X	BAS00ATEX2176
<b>Enclosure / Lens</b>		Thermoplastic, Anti-Static / Toughened Glass (6mm)	
<b>Beam Type</b>		Spot	Spot with Fringe Light
<b>Light Source:</b>	<b>Part Number</b>	<b>H-69</b>	<b>H-79</b>
	<b>Type</b>	Halogen Filled Filament Bulb	High Power LED
	<b>Volts</b>	3.75V	3.75V
	<b>Watts</b>	2.8W	1W
	<b>Output</b>	39lm (at 3.75V)	60lm (Peak)
	<b>Life</b>	100hrs	25,000hrs
<b>Power Source:</b>	<b>Part Number</b>	<b>H-66</b>	
	<b>Type</b>	Rechargeable Battery, Sealed Lead Acid	
	<b>Volts</b>	4V	
	<b>Capacity</b>	5Ah	
	<b>Life</b>	Up to 500 recharge cycles	
<b>Light Duration</b>		Up to 7hrs	Up to 24hrs
<b>Ingress Protection</b>		IP66/65	
<b>Weight</b>		1.75Kg (incl. battery)	

- All information has been gathered under laboratory conditions, the user must regard the values given as approximate.
- Changes may be made to the above specification without notification, details are available on request.

## Product Dimensions



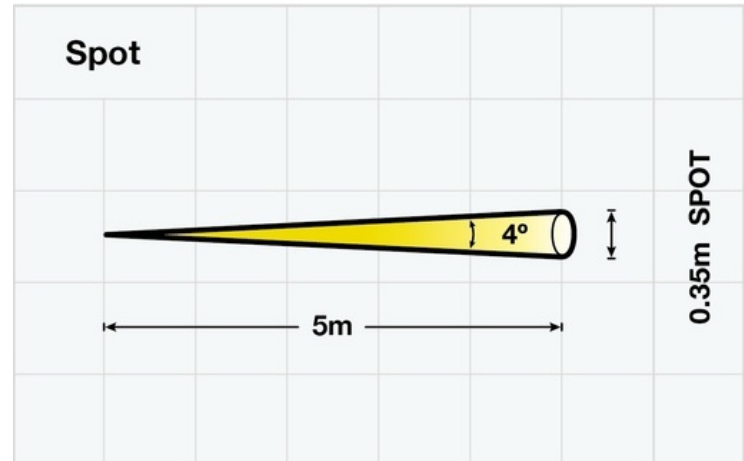
## Light Output

### H-251A - Halogen Bulb

39 Lumen Spot Beam (approx. 4°)

### H-251ALED - LED

60 Lumen Spot Beam (approx 4°) with Wide Angle Fringe Light



Version: SL002 Issue 6



Wolf Safety Lamp Company, Saxon Road Works, Sheffield, S8 0YA, UK

T: +44 (0) 114 255 1051

F: +44 (0) 114 255 7988

E: [info@wolf-safety.co.uk](mailto:info@wolf-safety.co.uk)

[www.wolf-safety.co.uk](http://www.wolf-safety.co.uk)

ISO 9001

BUREAU VERITAS  
Certification

