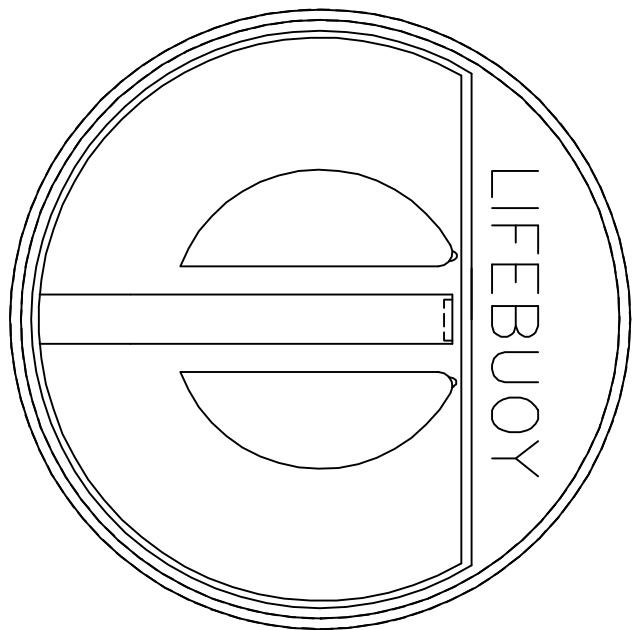
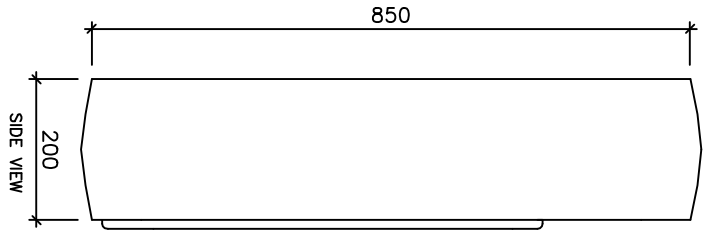


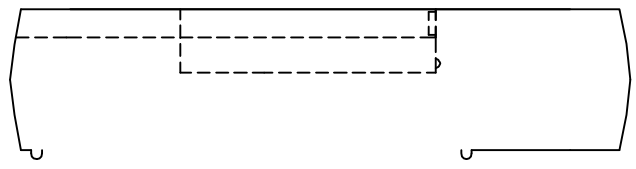
SPECIFICATIONS	
TS4 MATERIAL:	ROTATIONALLY MOULDED
	POLYETHYLENE
POLE MATERIAL:	GALVANISED MILD STEEL
TO SUIT:	762MM (30") LIFEBOUY &
	THROWING LINE



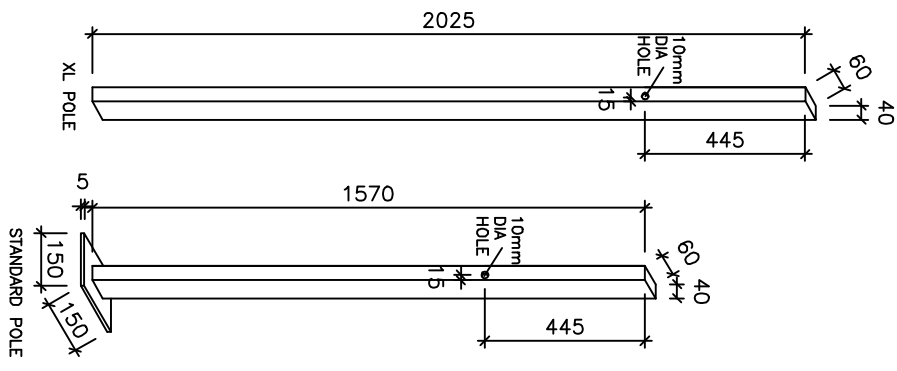
FRONT VIEW



SIDE VIEW



SECTION THRO'



RAIL MOUNTING INSTRUCTIONS

- 1) Remove lifebuoy and line
- 2) Position and clamp brackets to rail, marking hole positions on back of case
- 3) Drill back of case
- 4) Offer case up to brackets and fix with bolts provided, making sure the nuts and washers are on the inside
- 5) Ensure throwing line is securely tied to buoy
- 6) Replace lifebuoy and line

ALL DIMENSIONS ARE IN MILLIMETRES. DO NOT SCALE THIS DRAWING.			
JO BIRD & COMPANY LTD HOLD THE COPYRIGHT OF THIS DOCUMENT. CONSENT IS REQUIRED FROM THIS COMPANY TO COPY THIS DOCUMENT.			
Jo Bird & Company Ltd Factory Lane, Bason Bridge Highbridge, Somerset, TA9 4RN United Kingdom Tel: +44 (0) 1278 785546 Fax: +44 (0) 1278 780541		DESCRIPTION: TOUGHSTORE TS4 850DIAx200W	
CLIENT:		SCALE	
DATE		DATE	
DRAWN		DRAWN	
CHECKED		CHECKED	
APPROVED		APPROVED	
DRAWING No. TS-4		SIZE A4	
ISSUE		ISSUE	
ALTERATIONS		ALTERATIONS	
No.	DESCRIPTION	DATE	DRN.