

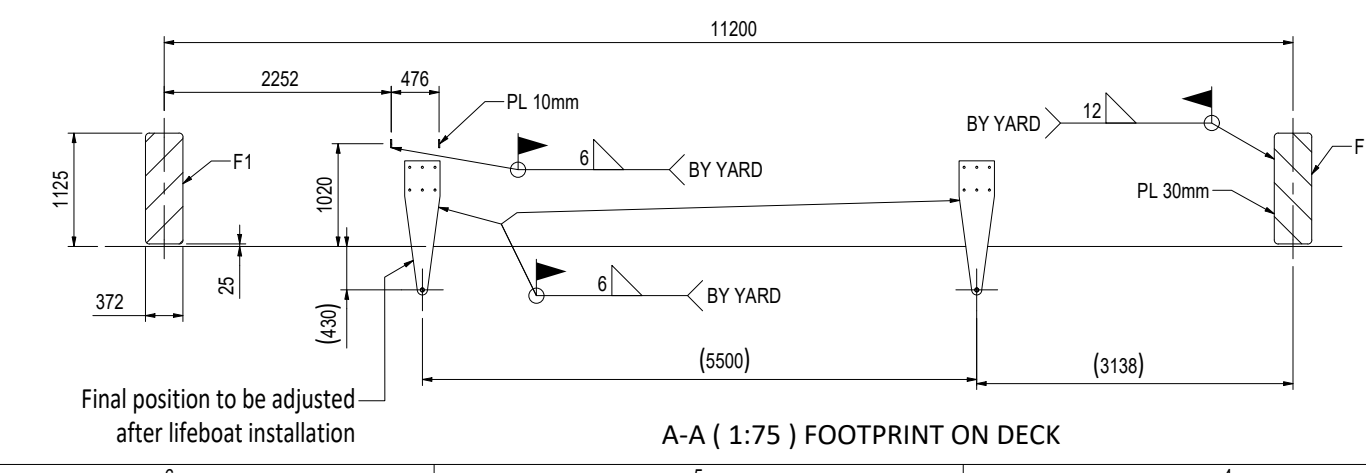
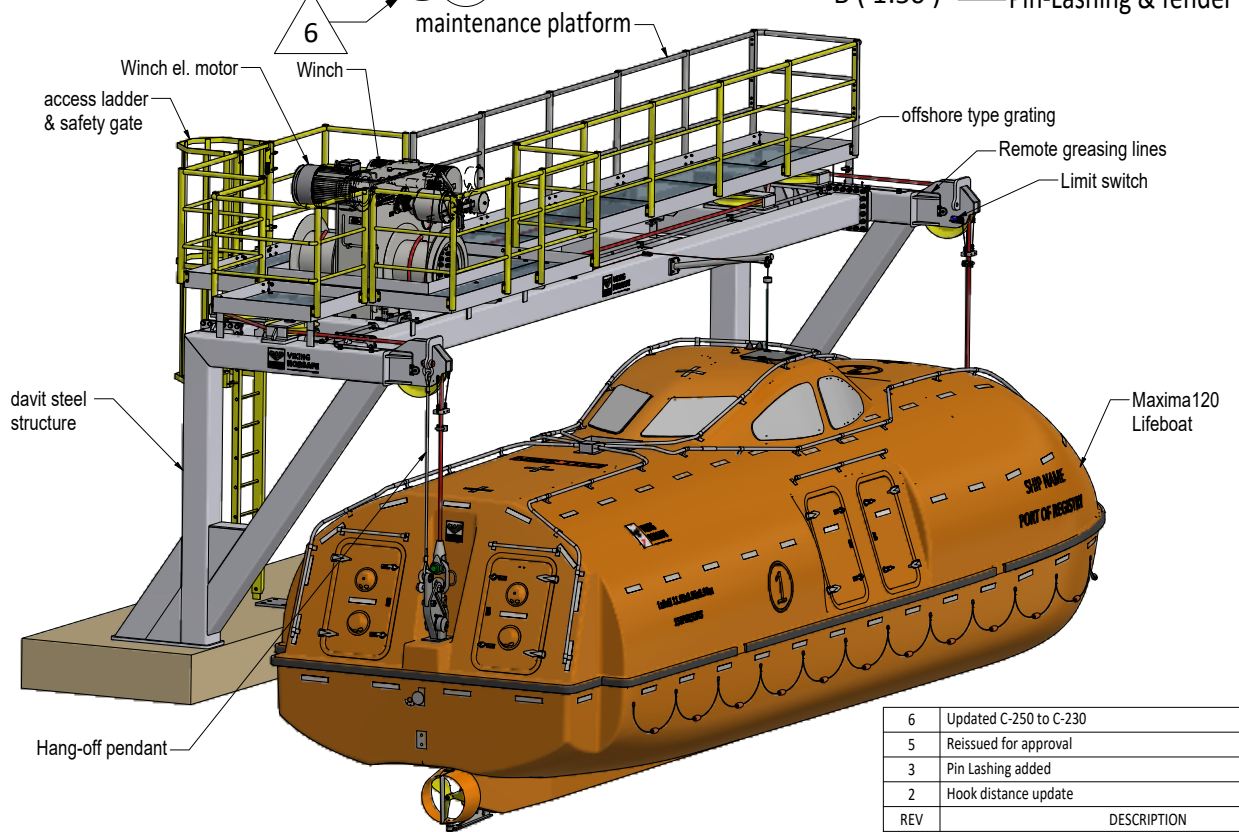
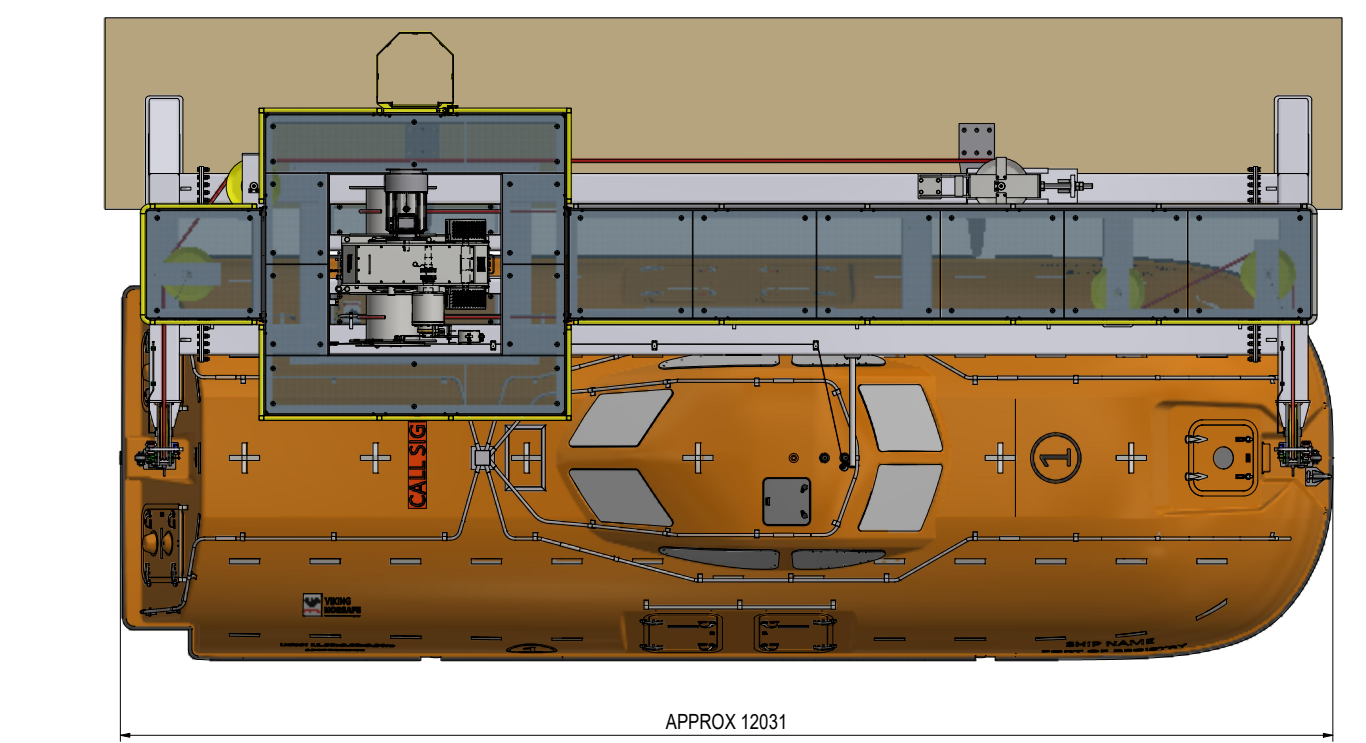
C-230 Cantilever Lifeboat Davit

Technical data:

Davit weight approx. 14000 kg
 Davit Safety Working Load: 23000 kg
 Lowering: 23000 kg
 Hoisting: Empty lifeboat + 3 persons (full load on request)

Max. installation height: 75 m (including vessel's damaged condition)

Reaction forces:
 Reaction forces as joint loads each side, marked with nodes on deck interface.
 For orientation of forces see legend with marked XYZ vectors.
 All forces are point loads, nominal forces without any factors.



| REACTION FORCES IN DECK | | | | | | | |
|-----------------------------------|----------|---------|---------|---------|----------|----------|----------|
| Load case | Value F1 | Fx (kN) | Fy (kN) | Fz (kN) | Mx (kNm) | My (kNm) | Mz (kNm) |
| List +/- 20 deg & Trim +/- 10 deg | Max | | | | | | |
| List +/- 20 deg & Trim +/- 10 deg | Min | | | | | | |
| List +/- 17 deg & Trim +/- 17 deg | Max | | | | | | |
| List +/- 17 deg & Trim +/- 17 deg | Min | | | | | | |

| REV | DESCRIPTION | BY | CHECK | APPRO | DATE |
|-----|------------------------|------|-------|-------|------------|
| 6 | Updated C-250 to C-230 | ALJI | MISO | WAGU | 15.09.2022 |
| 5 | Reissued for approval | MISO | ALJI | WAGU | 30.07.2019 |
| 3 | Pin Lashing added | DKL | PGO | GNI | 18.05.2016 |
| 2 | Hook distance update | DKL | PGO | PGO | 06.04.2016 |

REVISION HISTORY

VIKING NORSAFE
 VIKING Norsafe Life-Saving Equipment Norway AS
 P.O. Box 115 4852 Færвик NORWAY
 Tel: +47 37 05 85 00 Fax: +47 37 05 85 01
 24/7 Service: +47 37 05 63 33 Email: Viking-Norsafe@viking-life.com

Drawn by PGO, Check by DKL, Appr. by PGO, Initial release date 12.01.2016

| | | |
|--|--------------|-------------------------|
| Project number | Project name | Client number |
| Title: C-230 DAVIT WITH MAXIMA-120 | | |
| Material Number | | Weight: 25900 kg |
| Projection method | | Scale: 1:75 |
| Drawing type: GA | | Sheet Size: A3 |
| Tolerances: ISO 2768-mk, ISO 13920-BF | | Revision: 6 |
| Drawing Number: G-500655 | | Sheet No.: 1/1 |

This drawing is the sole property of VIKING Norsafe Life-Saving Equipment Norway AS. It must not be submitted to other parties nor used in any manner detrimental to our interests. It shall not be copied, reproduced, used for manufacturing or sale without the written consent of VIKING Norsafe Life-Saving Equipment Norway AS. All rights are reserved.