

6

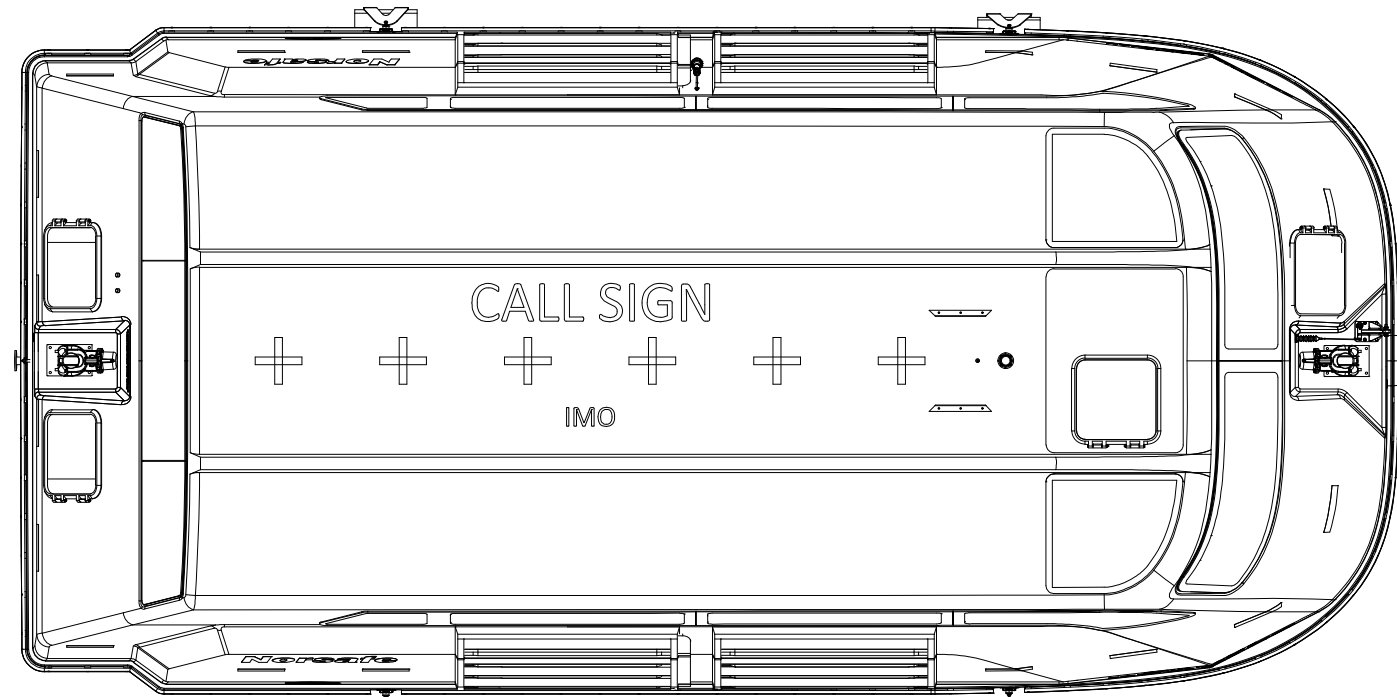
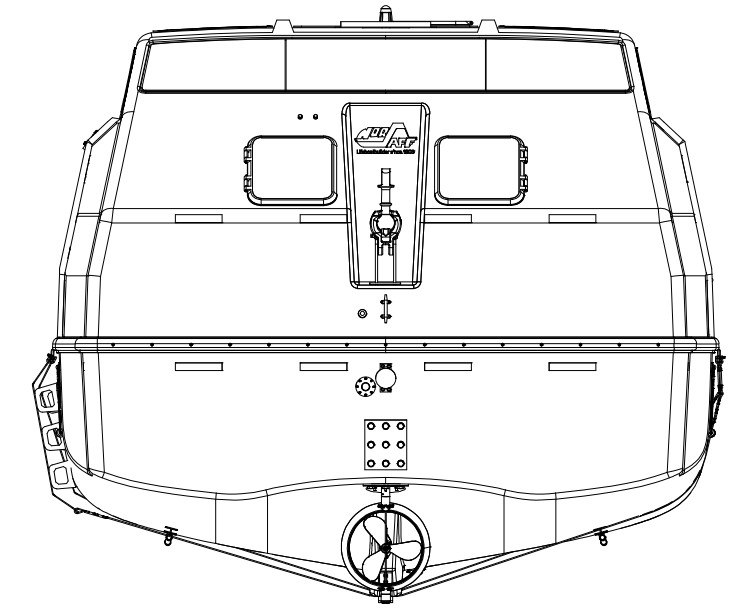
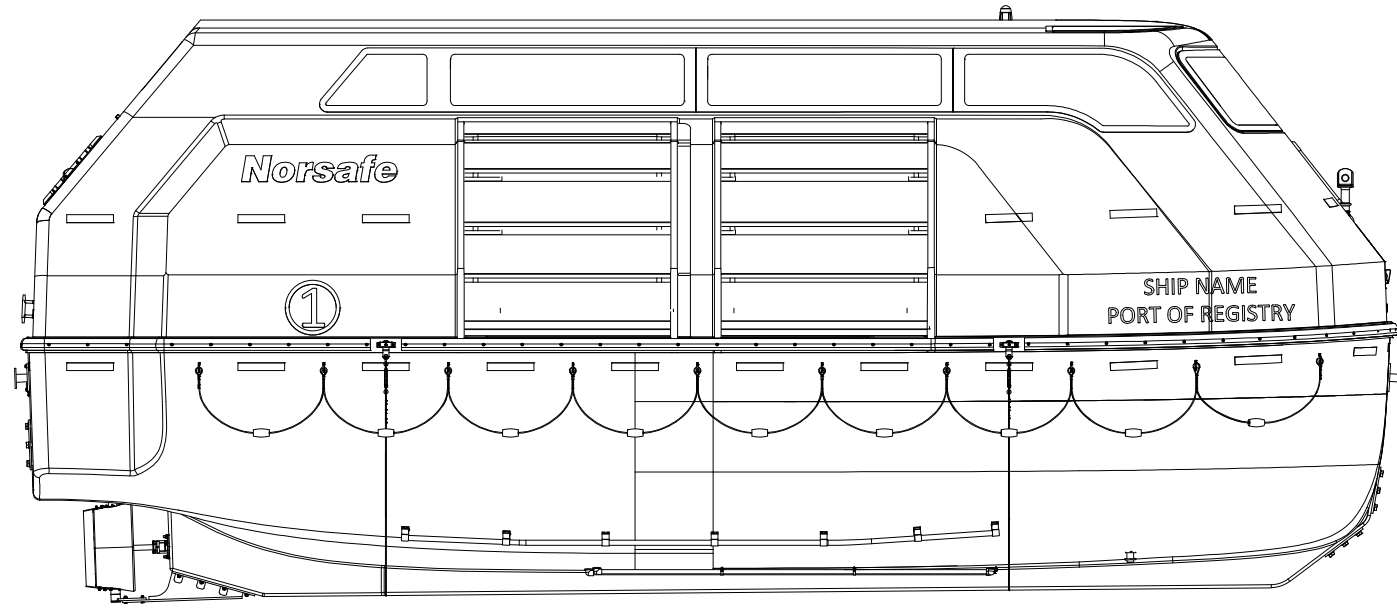
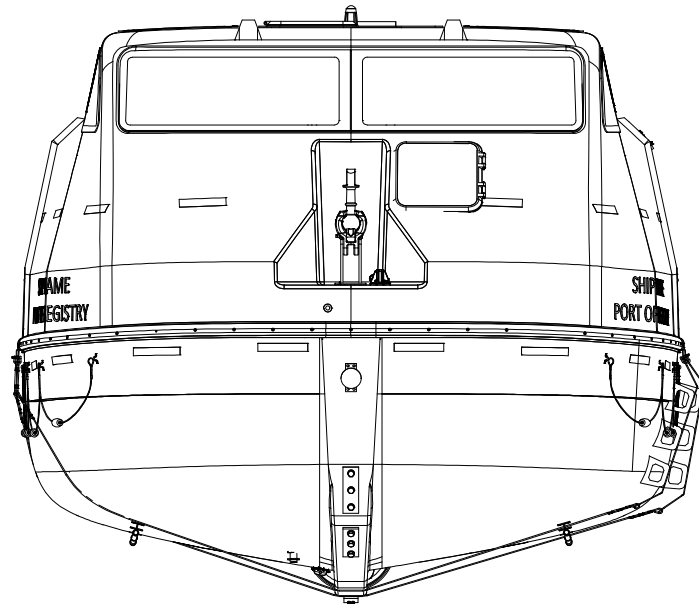
5

4

3


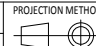
2

1



**MAIN DIMENSIONS & SPECIFICATION**

LENGTH WITH FENDER:	8,87 m
LENGTH OVER ALL:	8,80 m
BREADTH WITH FENDER:	4,30 m
BREADTH OVER ALL:	4,25 m
HEIGHT OVER ALL:	3,75 m
HOOK HEIGHT ABOVE KEEL:	2,40 m
HOOK DISTANCE:	8,18 m
WEIGHT FULLY EQUIPPED:	APPROX. 6500 Kg
DAVIT LOAD 150 PERSONS @75 KG:	17750 Kg
DAVIT LOAD 150 PERSONS @82,5 KG:	18875 Kg
SPEED:	MIN 6 Knots

0	Issued for construction	KAYU	THWA	TT	14.03.2019
REV	DESCRIPTION	BY	CHECK	APPRO	DATE
REVISION HISTORY					
		<h2>Norsafe</h2> <p>P.O. Box 115, N-4852 FÆRVIK, NORWAY</p>			
<small>This drawing is the sole property of Norsafe AS. It must not be submitted to other parties nor used in any manner detrimental to our interests. It shall not be copied, reproduced, used for manufacturing or sale without the written consent of Norsafe AS. All rights are reserved.</small>					
DWG SIZE:	A3	SCALE:	1:50	COPY OF:	
CLIENT NO:		PROJECTION METHOD:		PART NO:	N/A
TOLERANCES:	ISO 2768-mk, ISO 13920-BF		REVISION:	0	SHEET:
DWG No:	G-503104		PROJECT:	PARTIALLY ENCLOSED LIFEBOAT MINIMA-88 DIB 125 HOOK GENERAL ARRANGEMENT	

6

5

4

3

2

1