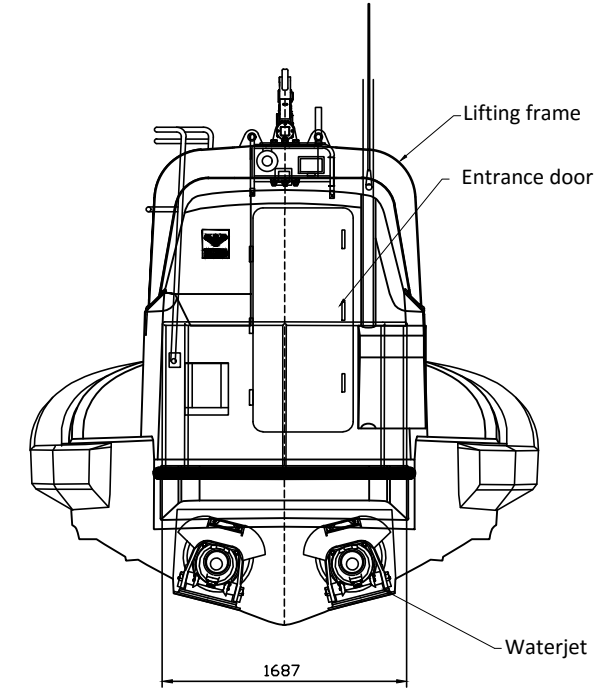
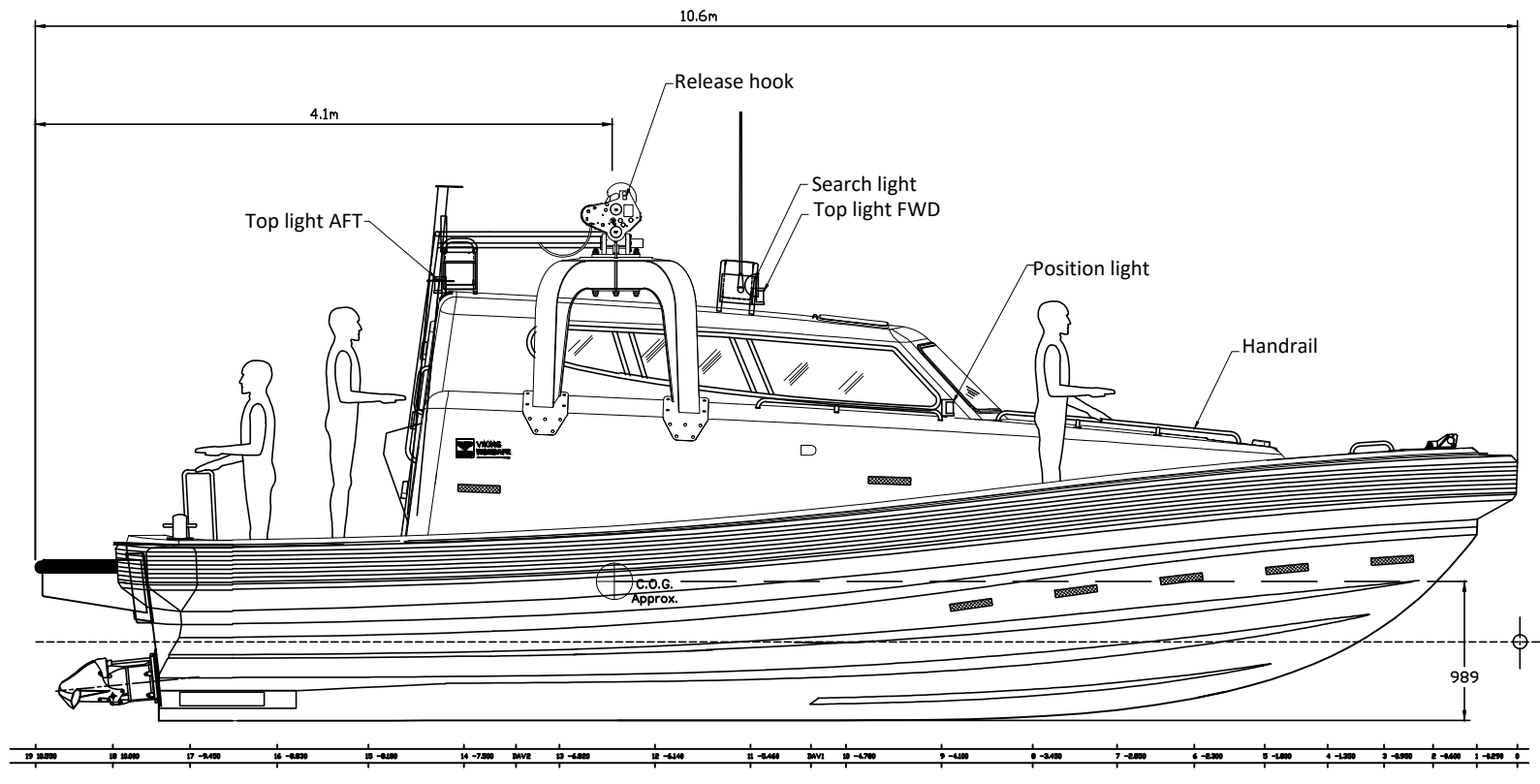


6 5 4 3 2 1

D

D

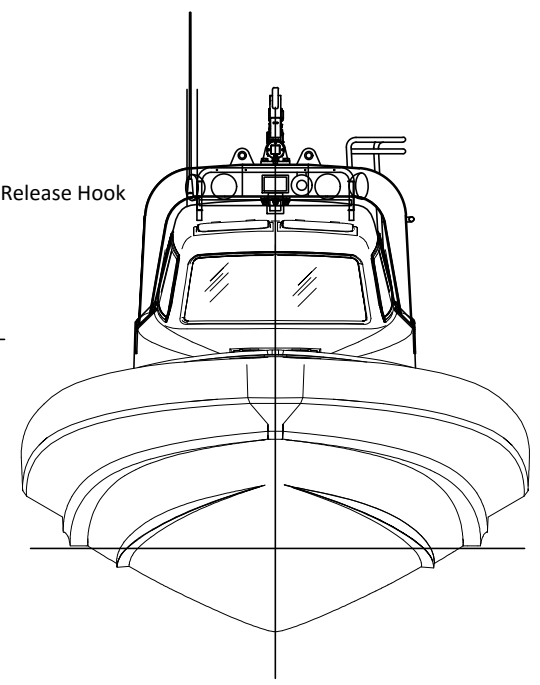
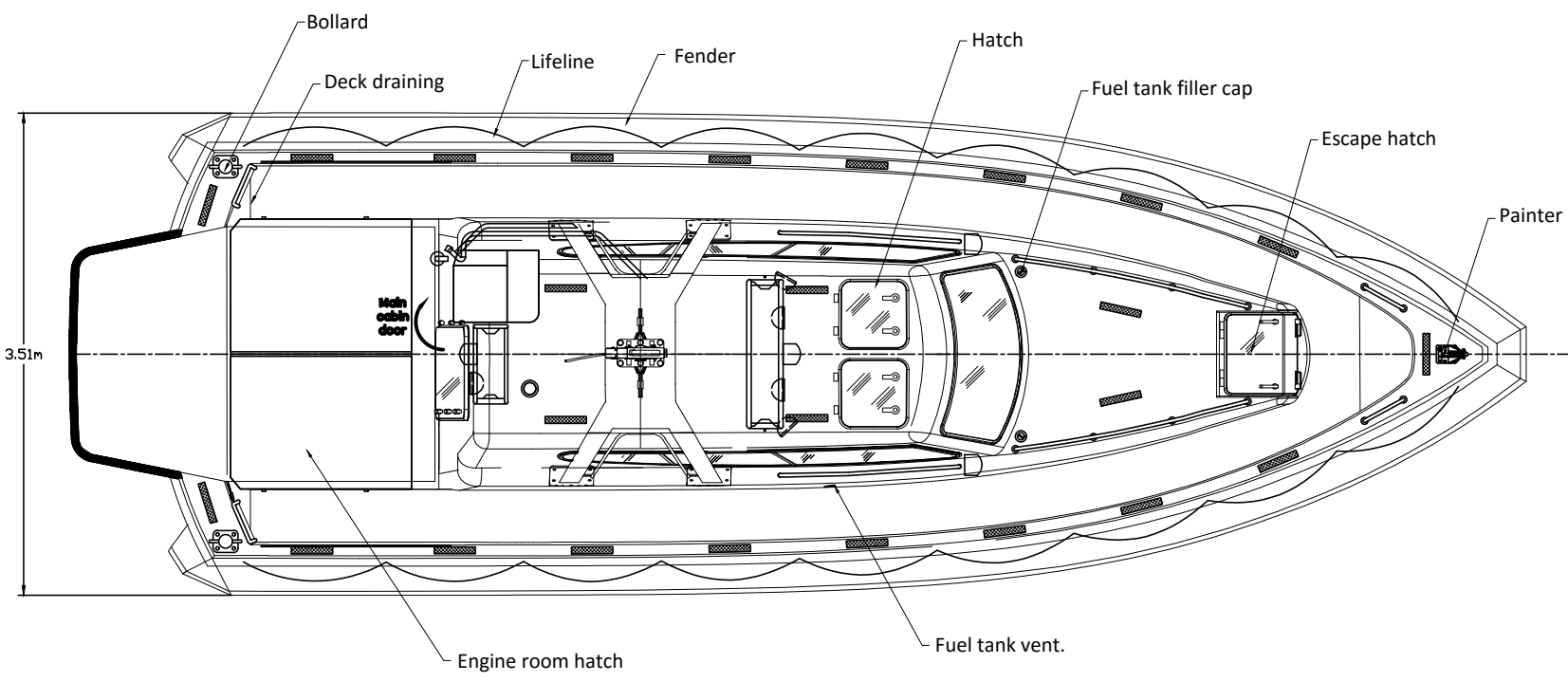


C

C

B

B



Munin 1000
Technical Data:
 Length overall: 10.60 m
 Breadth overall: 3.51 m
 Hook Height (H): 3.75 m
 Capacity: 24 Persons
 Weight (Fully equipped): 6.150 kg
 Weight, 6 pers@82,5kg: 6.645 kg
 Weight, 24 pers@82,5 kg: 8.130 kg
 Propulsion: 2 x Diesel engine
 2 x Waterjet
 Speed w/ 3 Persons: Approx. 30-40 Knots

A

A

REV	DESCRIPTION	BY	CHECK	APPRO	DATE
1	General update, added new template	OSK	SAN	ATE	30.07.2019
0	Weight updated	OSK	ATE	ATE	19.12.2018
A	Issued for project approval	ELG			03.07.2017

NORSAFE REVISION HISTORY

	VIKING NORSAFE	VIKING Norsafe Life-Saving Equipment Norway AS P.O Box 115 4852 Fjærvik NORWAY Tel: +47 37 05 85 00 Fax: +47 37 05 85 01 24/7 Service: +47 37 05 63 33 Email: Viking-Norsafe@viking-life.com
DWG SIZE: A3 SCALE: COPY OF: CLIENT NO: TOLERANCES: ISO 2768-mk, ISO 13920-BF DWG No: G-502094		This drawing is the sole property of VIKING Norsafe Life-Saving Equipment Norway AS. It must not be submitted to other parties nor used in any manner detrimental to our interests. It shall not be copied, reproduced, used for manufacturing or sale without the written consent of VIKING Norsafe Life-Saving Equipment Norway AS. All rights are reserved. PART NO. WEIGHT. SHEET: 1/1 Munin 1000 Daughter Craft Exterior General Arrangement

6 5 4 3 2 1