

Midget-500 MKII Hook type


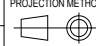
Front Cradle

Lashing belt

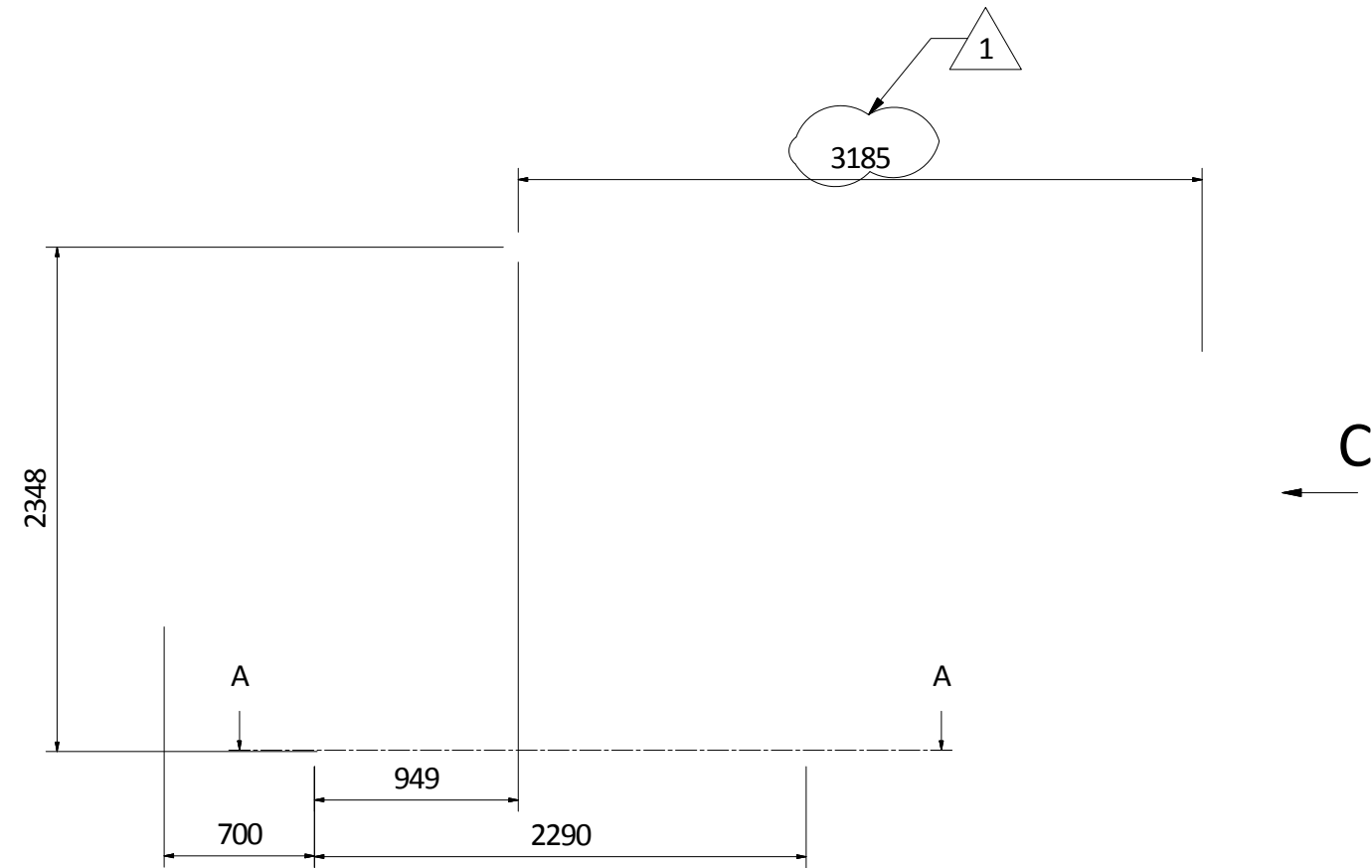
Aft Cradle

REV	DESCRIPTION	BY	CHECK	APPRO	DATE
1	Updated the template and add dimension	EVJI	PHLI	THWA	21.08.2019
0	Issued for construction	PHLI	JKJI	THWA	15.11.2018

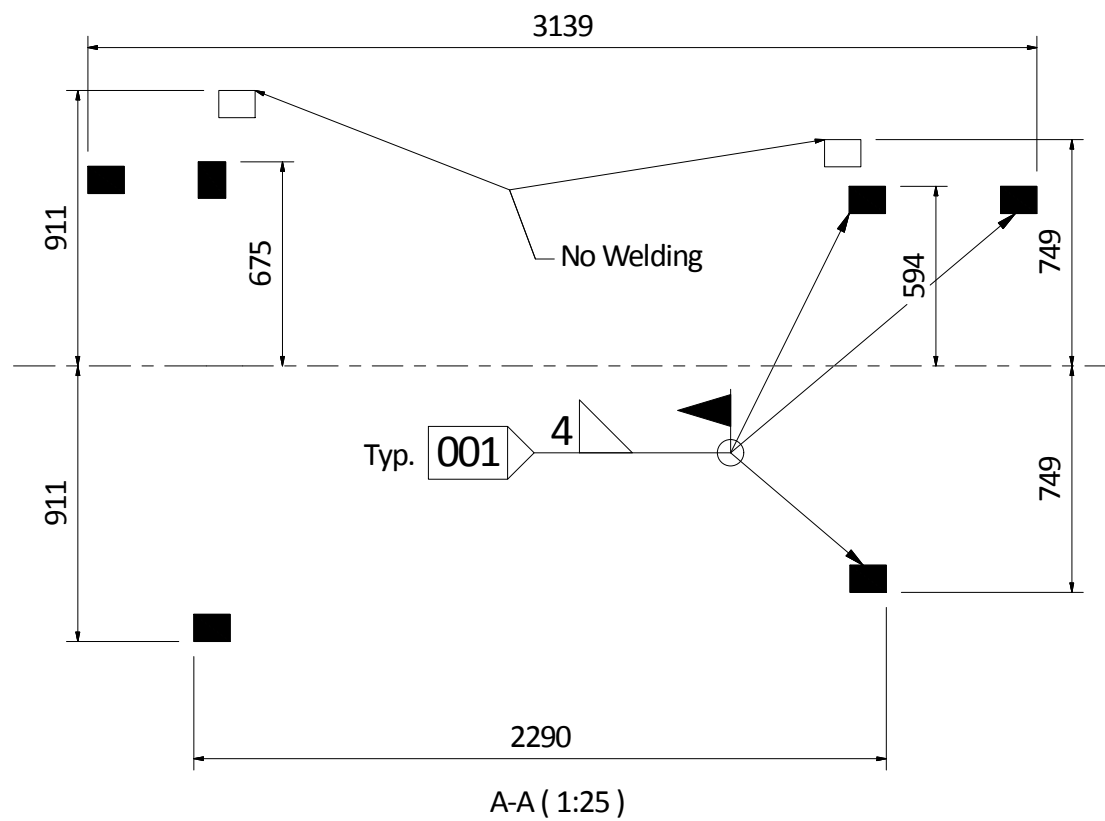
  

REVISION HISTORY					
 <b>VIKING NORSAFE</b> <small>VIKING NORSAFE LIFE-SAVING EQUIPMENT</small>					
VIKING Norsafe Life-Saving Equipment Norway AS P. O. Box 115 4852 Færvik NORWAY			Tel: +47 37 05 85 00 Fax: +47 37 05 85 01 24/7 Service: +47 37 05 63 33 Email: Viking-Norsafe@viking-life.com		
<small>This drawing is the sole property of VIKING Norsafe Life-Saving Equipment Norway AS. It must not be submitted to other parties nor used in any manner detrimental to our interests. It shall not be copied, reproduced, used for manufacturing or sale without the written consent of VIKING Norsafe Life-Saving Equipment Norway AS. All rights are reserved.</small>					
DWG SIZE:	A3	SCALE:	1:20	COPY OF:	
CLIENT NO.:		PROJECTION METHOD:			
TOLERANCES:	ISO 2768-mk, ISO 13920-BF				
DWG No.:	R-503251	REVISION:	1	PROJECT:	
PART NO.:			WEIGHT:	N/A	SHEET: 1 / 3
			<b>DECK CRADLE FOOTPRINT</b>		
			<b>MIDGET-500 MKII HOOK REFERENCE</b>		

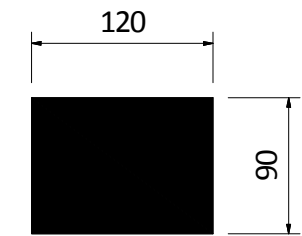
WELDING INFORMATION					
Build No:					
WELD NO.	JOINT	THROAT THICKN.	INSPECT. CAT.	WELD LENGTH	COMMENTS
001		<10	D	2600	



### Starboard arrangement



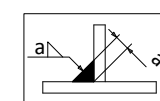
### Foot Print Detail



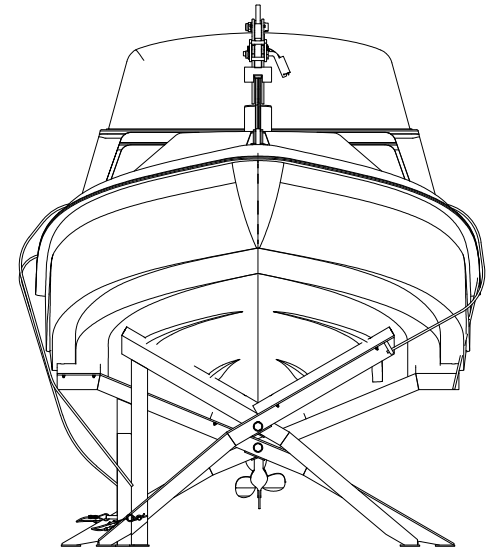
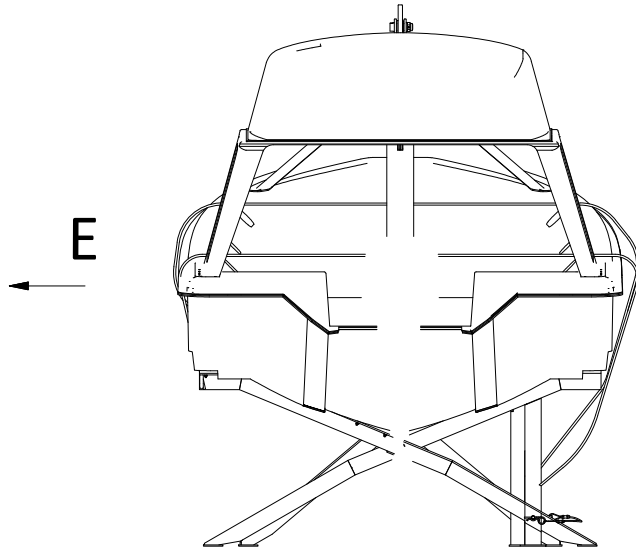
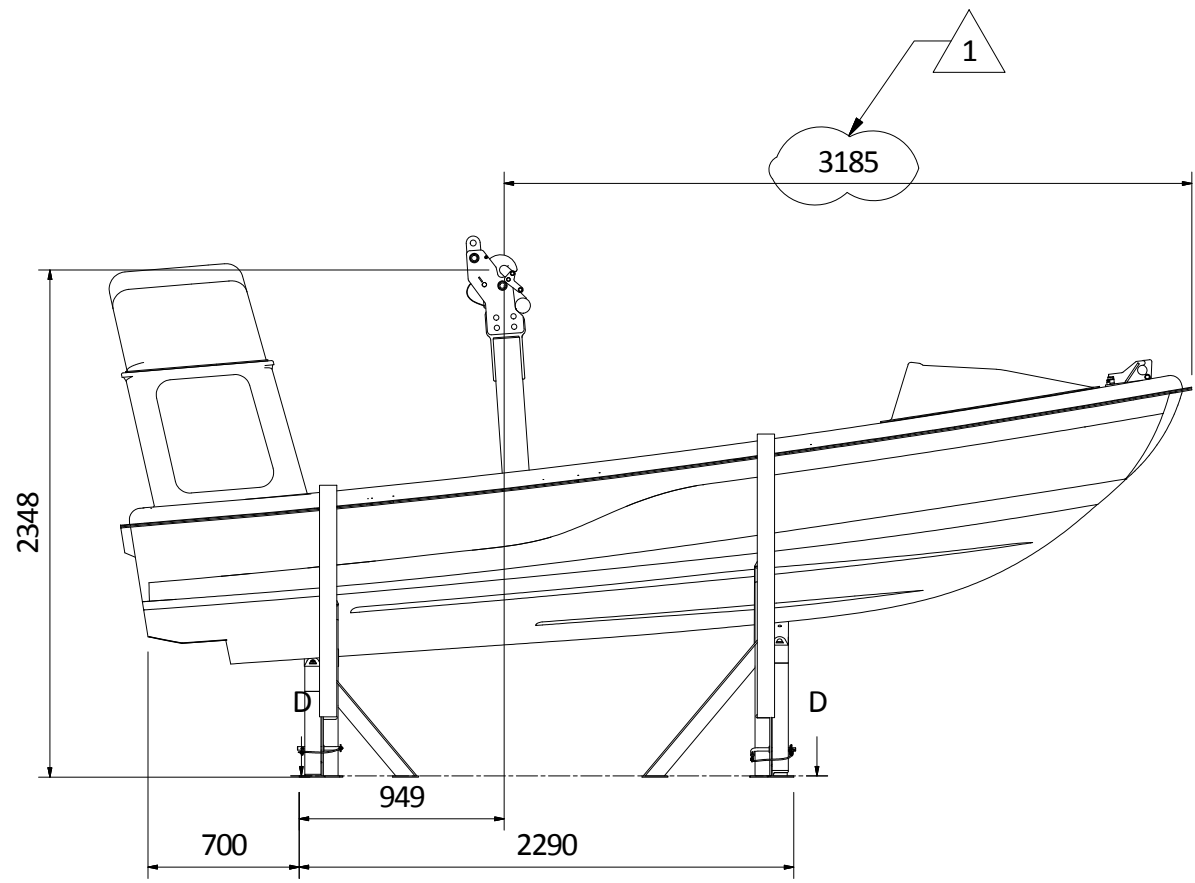
### Notes:

1. All edges to be rounded.
2. Welds to be made by persons certified to following standards or similar: ISO 9606 (EN 287) Part 1.
3. NDT inspection according to Norsok M-101.
4. Tilt angle should be according to different enginemodel.
5. This welding drawing will be used for Vessel'S camber that less than 3 degree.
6. As big horse power engines with different slings, the lifting point will be vary into 10cm!

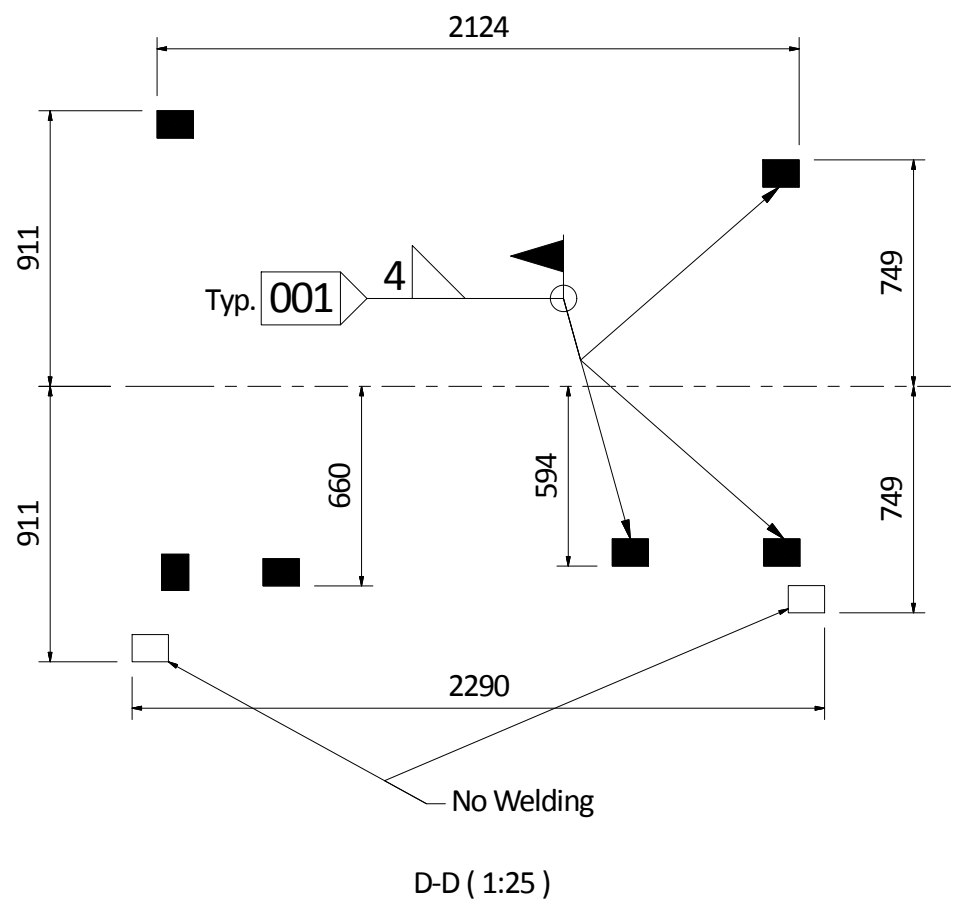
	<b>VIKING NORSAFE</b>		VIKING Norsafe Life-Saving Equipment Norway AS P.O. Box 115 4852 Færvik NORWAY Tel: +47 37 05 85 00 Fax: +47 37 05 85 01 24/7 Service: +47 37 05 63 33 Email: Viking-Norsafe@viking-life.com	
	<small>This drawing is the sole property of VIKING Norsafe Life-Saving Equipment Norway AS. It must not be submitted to other parties nor used in any manner detrimental to our interests. It shall not be copied, reproduced, used for manufacturing or sale without the written consent of VIKING Norsafe Life-Saving Equipment Norway AS. All rights are reserved.</small>			
DWG SIZE: A3 CLIENT NO.: TOLERANCES: ISO 2768-mk, ISO 13920-BF DWG No.: R-503251	SCALE: 1:20 COPY OF: REVISION: 1 PROJECT:	PROJECTION METHOD:	PART NO.: WEIGHT: N/A SHEET: 2 / 3	<b>DECK CRADLE FOOTPRINT</b>  <b>MIDGET-500 MKII HOOK REFERENCE</b>



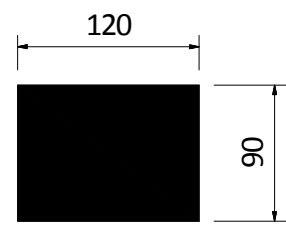
WELDING INFORMATION					
Build No:					
WELD NO.	JOINT	THROAT THICKN.	INSPECT. CAT.	WELD LENGTH	COMMENTS
001	△	<10	D	2600	



### Portside arrangement



### Foot Print Detail



### Notes:

1. All edges to be rounded.
2. Welds to be made by persons certified to following standards or similar: ISO 9606 (EN 287) Part 1.
3. NDT inspection according to Norsok M-101.
4. Tilt angle should be according to different engine model.
5. This welding drawing will be used for Vessel's camber that less than 3 degree.
6. As big horse power engines with different slings, the lifting point will be vary into 10cm!

	<b>VIKING NORSAFE</b>		VIKING Norsafe Life-Saving Equipment Norway AS P.O. Box 115      Tel: +47 37 05 85 00 4852 Færvik      Fax: +47 37 05 85 01 NORWAY          24/7 Service: +47 37 05 63 33 Email: Viking-Norsafe@viking-life.com		
	<small>This drawing is the sole property of VIKING Norsafe Life-Saving Equipment Norway AS. It must not be submitted to other parties nor used in any manner detrimental to our interests. It shall not be copied, reproduced, used for manufacturing or sale without the written consent of VIKING Norsafe Life-Saving Equipment Norway AS. All rights are reserved.</small>				
DWG SIZE: A3	SCALE: 1:20	COPY OF:	PART NO.:	WEIGHT: N/A	SHEET: 3 / 3
CLIENT NO.:	TOLERANCES: ISO 2768-mk, ISO 13920-BF		PROJECTION METHOD:	DECK CRADLE FOOTPRINT	
DWG No.: R-503251	REVISION: 1	MIDGET-500 MKII HOOK REFERENCE			
PROJECT:					

