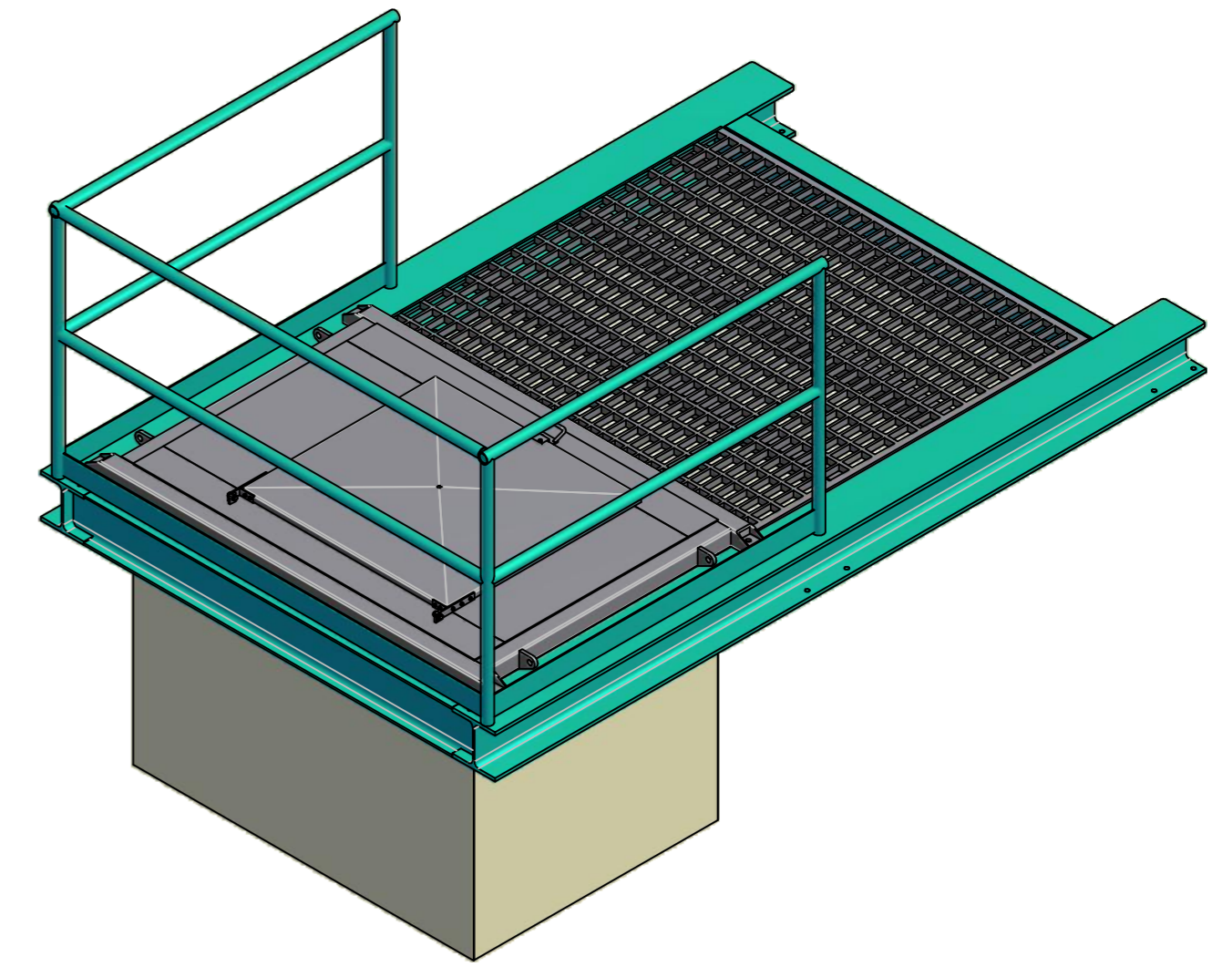
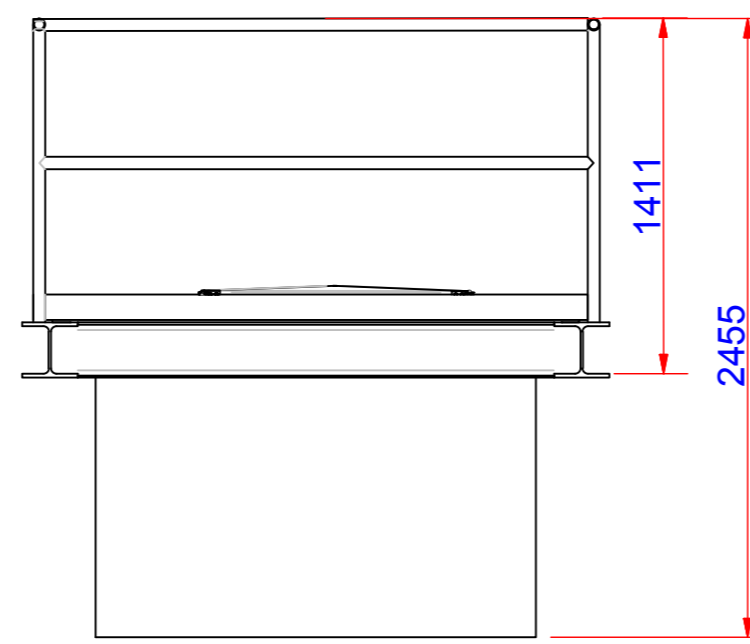
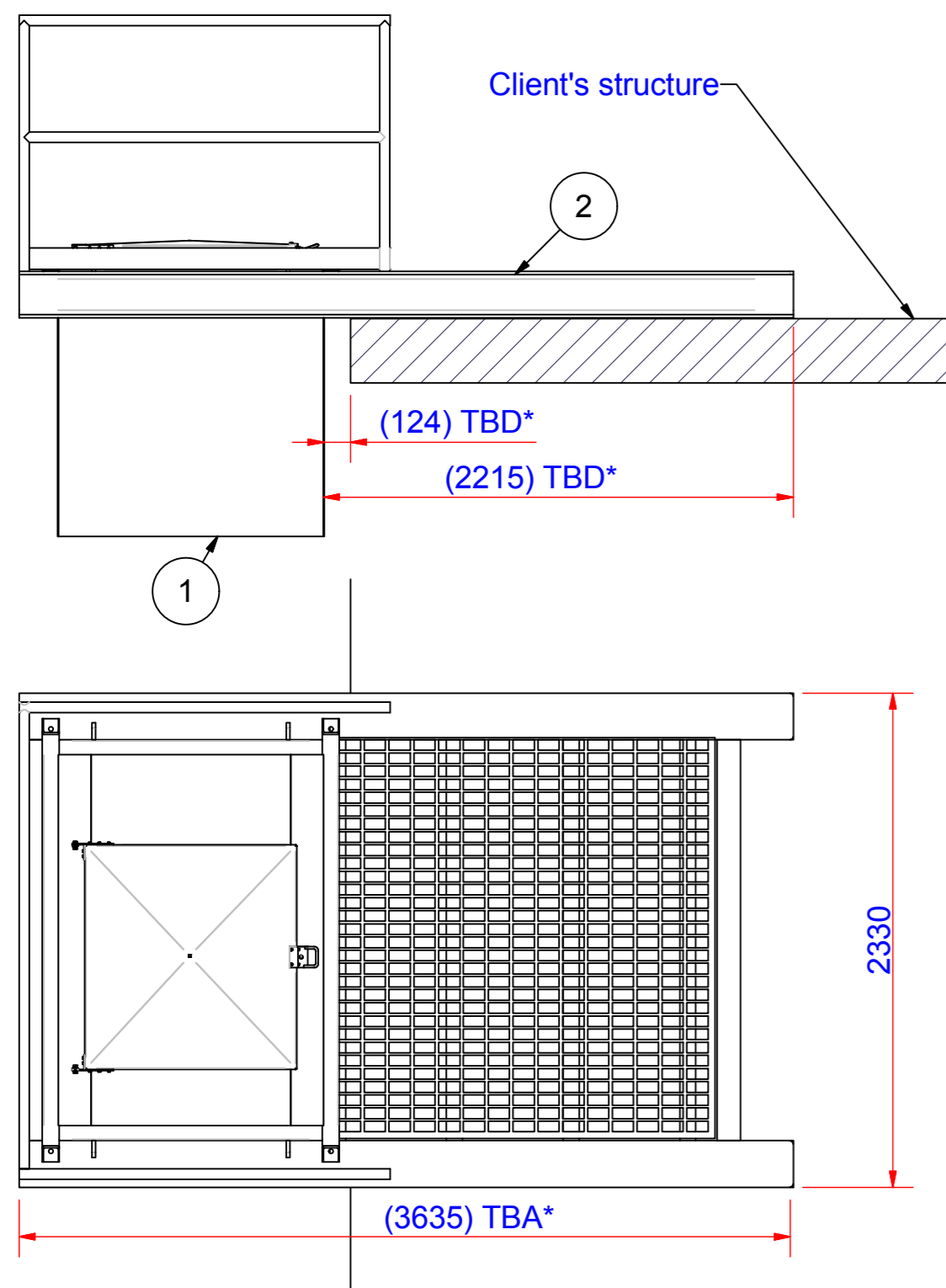


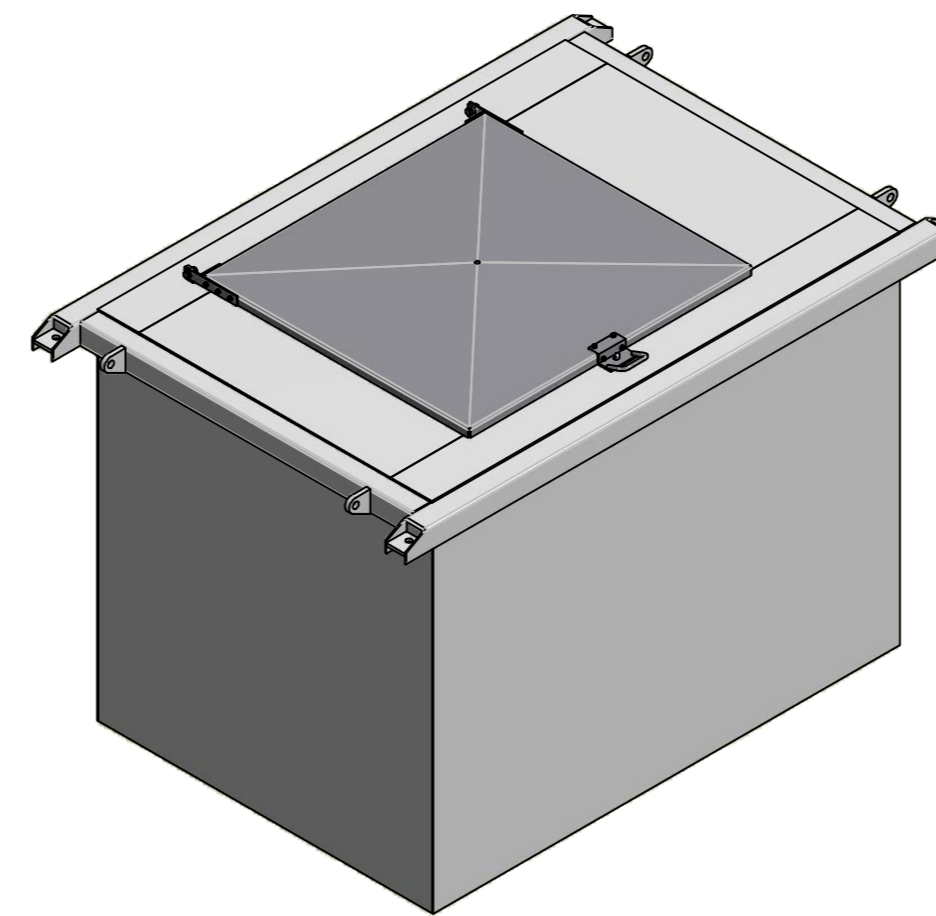
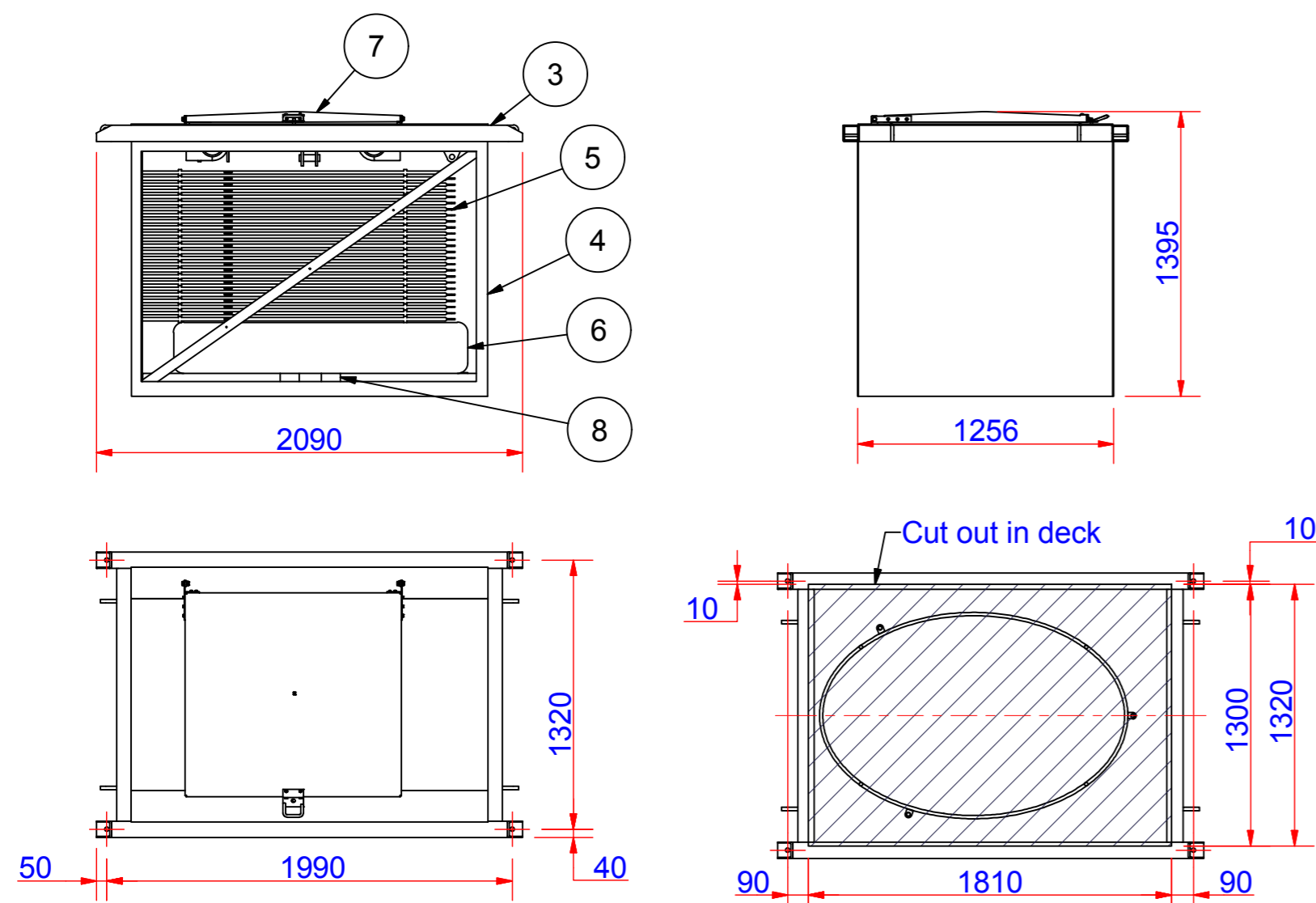
SES-Basic w/ VIKING Skid



NOTES:

- THIS IS A CONCEPT DRAWING ONLY
- APPROXIMATE SYSTEM WEIGHT (AS IN CONCEPT DRAWING: 2400 kg)
- * TBD; DIMENSION DEPENDENT ON CLIENT STRUCTURE.
- RECOMMENDED MAXIMUM INSTALLATION HEIGHT: 27m

SES-Basic



ISO View (1:20)

| Parts List | | | |
|------------|-----|-------------------------|-----------------------|
| ITEM | QTY | Part | Description |
| 1 | 1 | SES-Basic | 1230 kg |
| 2 | 1 | Deck Structure Assembly | 1170 kg approximate |
| 3 | 1 | Frame Structure | |
| 4 | 1 | Protection Plate | GRP |
| 5 | 1 | Chute Assembly | Viking Chute 25 Cells |
| 6 | 1 | Boarding Platform | 25 Pers. |
| 7 | 1 | Cover Hatch | |
| 8 | 1 | Stabilizing Weight | |

| Rev. | Date | Description | HML | VHR |
|------|----------|------------------------|-----|-----|
| by | | | by | by |
| 0 | 30.05.12 | Issued for information | | |

Copyright of VIKING LIFE-SAVING EQUIPMENT, Norway, whose property this document remains. No part thereof may be disclosed, copied, duplicated or in any other way made use of, except with the approval of VIKING LIFE-SAVING EQUIPMENT, Norway.

PROJECT NAME: 980003

| | | | | | |
|---|--|-------------------------------------|----------------------------------|-------------|------------|
| VIKING Life-Saving Equipment Norge AS Idrettsvegen 110 Straume Næringspark NO-5353 Straume, Norway Tel: +47 815 00 350 Fax: +47 56 32 61 10 bergen@viking-life.com | | Date: 30.05.2012 Substitute for: | Designer: HML Substituted by: | Appr.: VHR | Reference: |
| Drawing no.: C02-942 | | Rev.: 0 | | Scale: 1:30 | |

| | |
|---|----------------|
| General Arrangementembly w/ VIKING Skid (No Drop Rafts) | Id. No.: 92664 |
| SES Basic | Parts no.: |