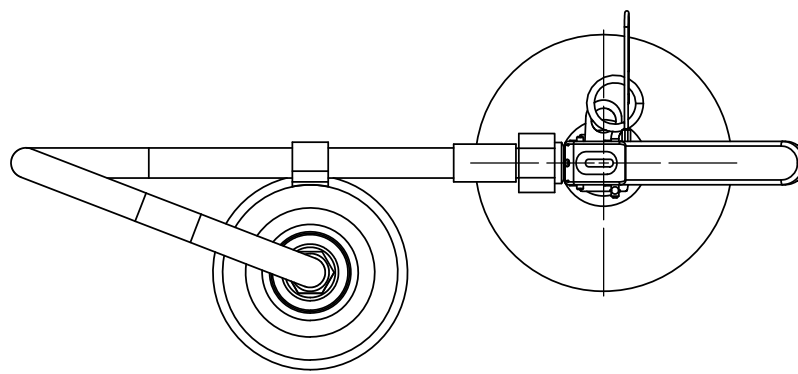
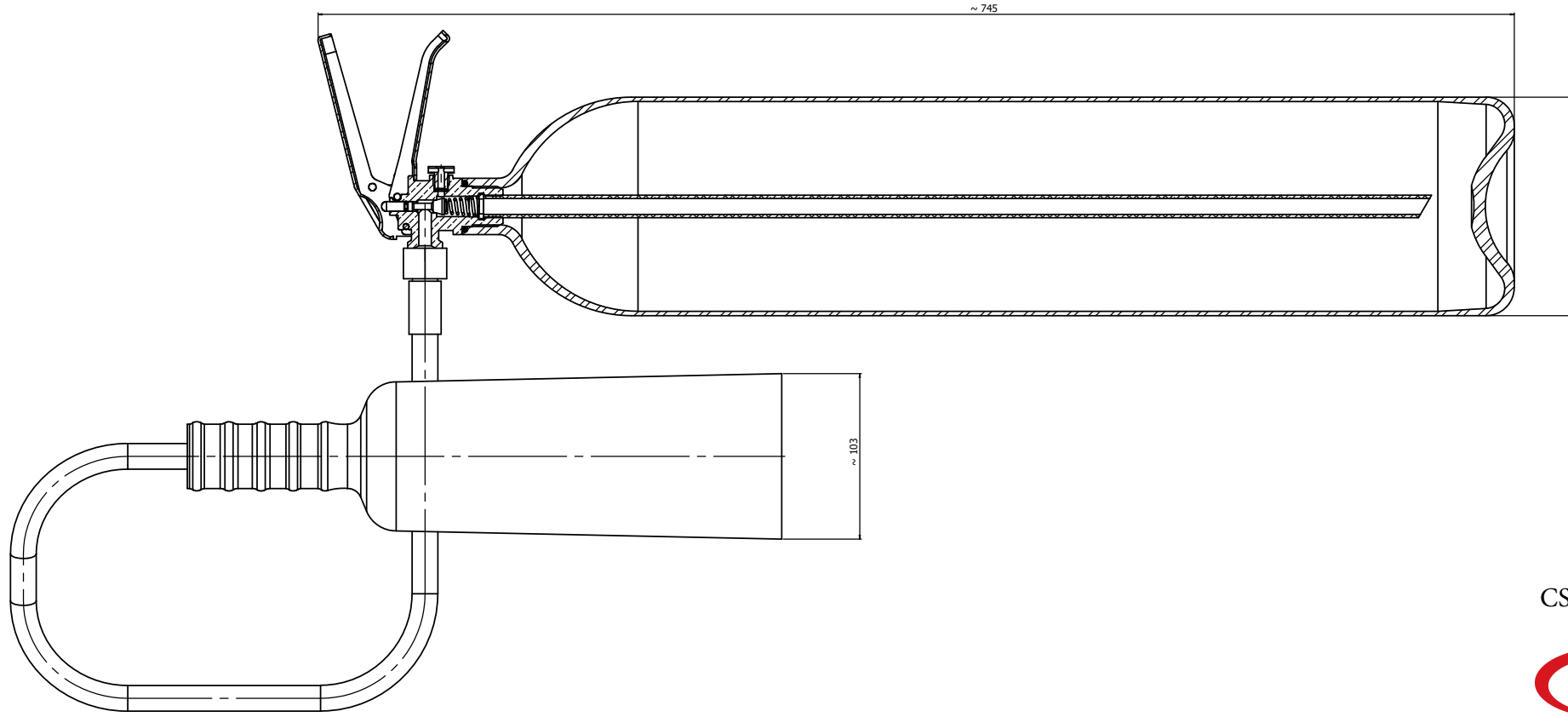


Note: label according to customer requirements: code 50.754M.F000.00 is for unlabeled extinguisher.
 Nota: etichetta secondo richiesta del cliente: il codice 50.754M.F000.00 vale per l'estintore neutro.
 Nota: étiquette suivant demande du client: le code 50.754M.F000.00 est valable pour l'extincteur neutre.



CS5-AB - 5KG CO2



an ANAFGROUP company

Quantity	Description	Code	Price	Unit	Weight	Material
12	Transport bracket Supporto in coperchio Support	F400	00.762M.2900.00			Net repres. Non visibile Non visibile
11	Wall bracket Supporto a muro Support mural	F4 410B	00.005E.2000.00			Net repres. Non visibile Non visibile
10	Carbon dioxide Anidride carbonica Gas carbonique	CO2	50.000Z.0001.00	kg		
9	Completed hose Mancichetta completa Ensemble tertiaire offenseur		00.754M.2400.00	-		
8	Bottle 5kg CO2 Serbatoio 5kg CO2 Corps 5kg CO2	34C/M64	00.754M.7900.CE			RED
	Bottle 5kg CO2 Serbatoio 5kg CO2 Corps 5kg CO2	34C/M64	00.753M.7900.CE			RED
	Bottle 5kg CO2 Serbatoio 5kg CO2 Corps 5kg CO2	34C/M64	00.756M.7900.CE			RED
	Bottle 5kg CO2 Serbatoio 5kg CO2 Corps 5kg CO2	34C/M64	00.754M.7901.CE			RED and GREY
	Bottle 5kg CO2 Serbatoio 5kg CO2 Corps 5kg CO2	34C/M64	00.753M.7901.CE			RED and GREY
	Bottle 5kg CO2 Serbatoio 5kg CO2 Corps 5kg CO2	34C/M64	00.756M.7901.CE			RED and GREY
2	Dip tube Pinnacina Tube plongeur	AL	00.754M.5900.00	-		
1	Valve assembly Assemble valvola Ensemble de vanne		00.754B.6950.00			Tightening torque: 80±5 Nm

Part	Description	Code	Unit	Weight	Material
A	Manicetta	F4	DA	0.9	AL
B	Serbatoio CO2	F4	DA	5.0	AL
C	Assemble valvola	F4	DA	1.0	AL
D	Assemble valvola	F4	DA	1.0	AL
E	Assemble valvola	F4	DA	1.0	AL
F	Assemble valvola	F4	DA	1.0	AL

ANAFGROUP
 Fire extinguishers
 Estinguintores
 Extincteurs
 CS-AB
 5.0 kg
 1.0